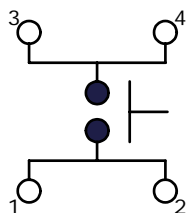
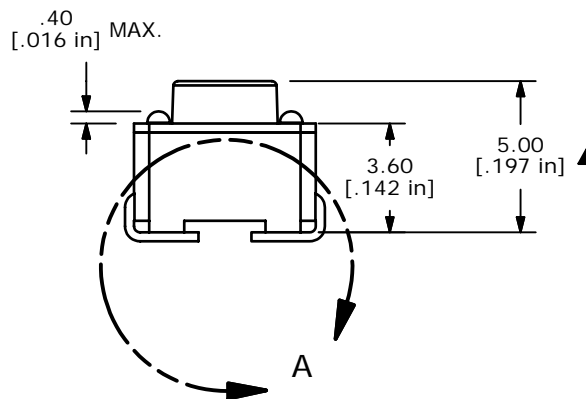


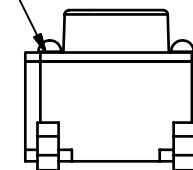
ISOMETRIC



CIRCUIT: SPST

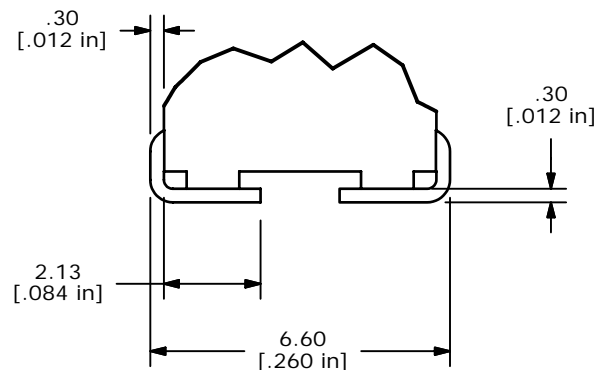


GOLD DOME
P990004



NOTES:

1. ALL DIMENSIONS IN MM
2. GENERAL TOLERANCE: X.X=±0.4
X.XX=±0.25
3. TERM. NOS. FOR REFERENCE ONLY.
4. RATING: 12VDC, 50mA
- ▲5. OPERATING FORCE: 260 ± 50 gms
6. TRAVEL: 0.25mm +0.2/-0.1
7. CONTACT RESISTANCE: 100 MILLI OHMS MAX. (INITIAL)
8. MECHANICAL/ELECTRICAL LIFE: 100,000 CYCLES.
- ▲9. CONTACT MATERIAL: GOLD
10. PACKAGE: TAPE AND REEL 1,100 PCS.
11. ▲ DENOTES CRITICAL PARAMETER
12. 2002/95/EC (ROHS) COMPLIANT



DETAIL A

C	16668	UPDATED NOTES,EDITED VIEWS	11/16/2006	TN
B	15730	RELEASED FOR PRODUCTION	2/2/06	PH
A	15278	RELEASED FOR PRODUCTION	9/23/05	PH
REV	PCR NO	DESCRIPTION	DATE	BY



TITLE TL3301AF260RJ

SCALE	DATE	DR	DWG	REV
4:1	11/16/2006	TN	P010618	C

THE INFORMATION CONTAINED IN THIS DOCUMENT IS PROPRIETARY TO E-SWITCH AND IS NOT TO BE COPIED OR TRANSFERRED