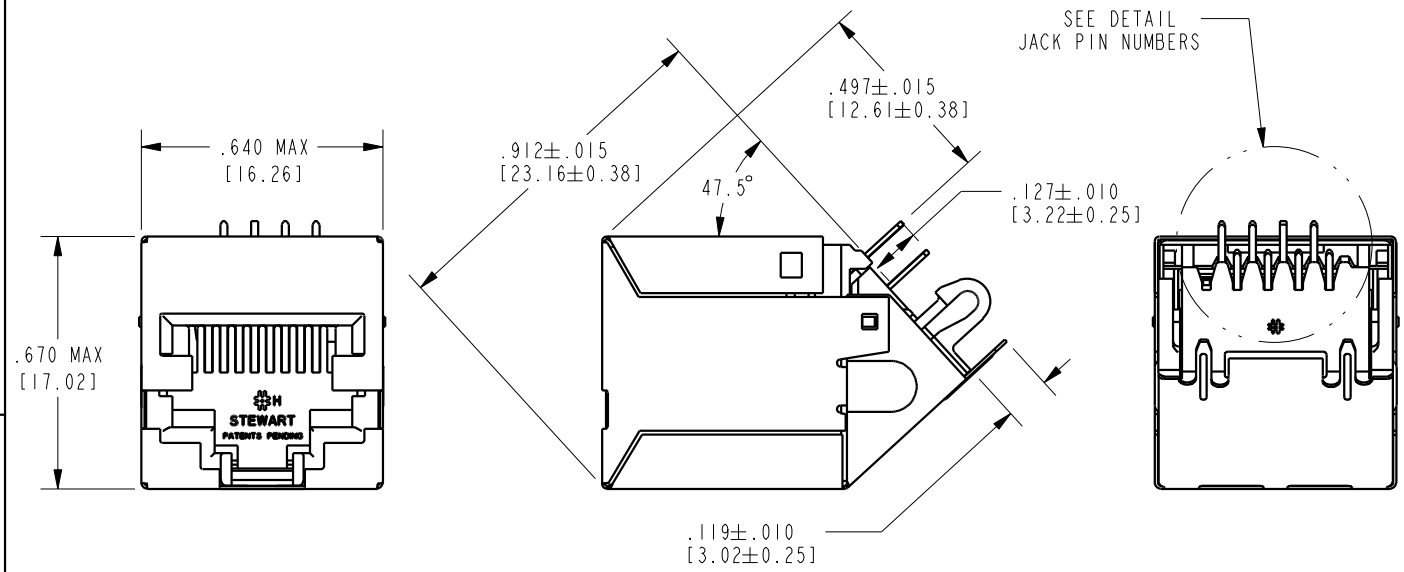
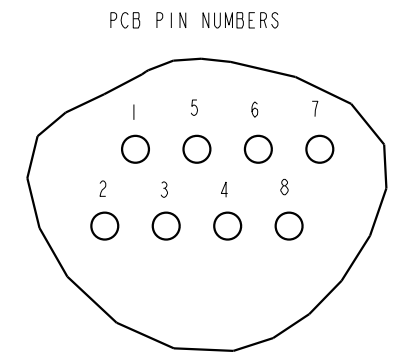
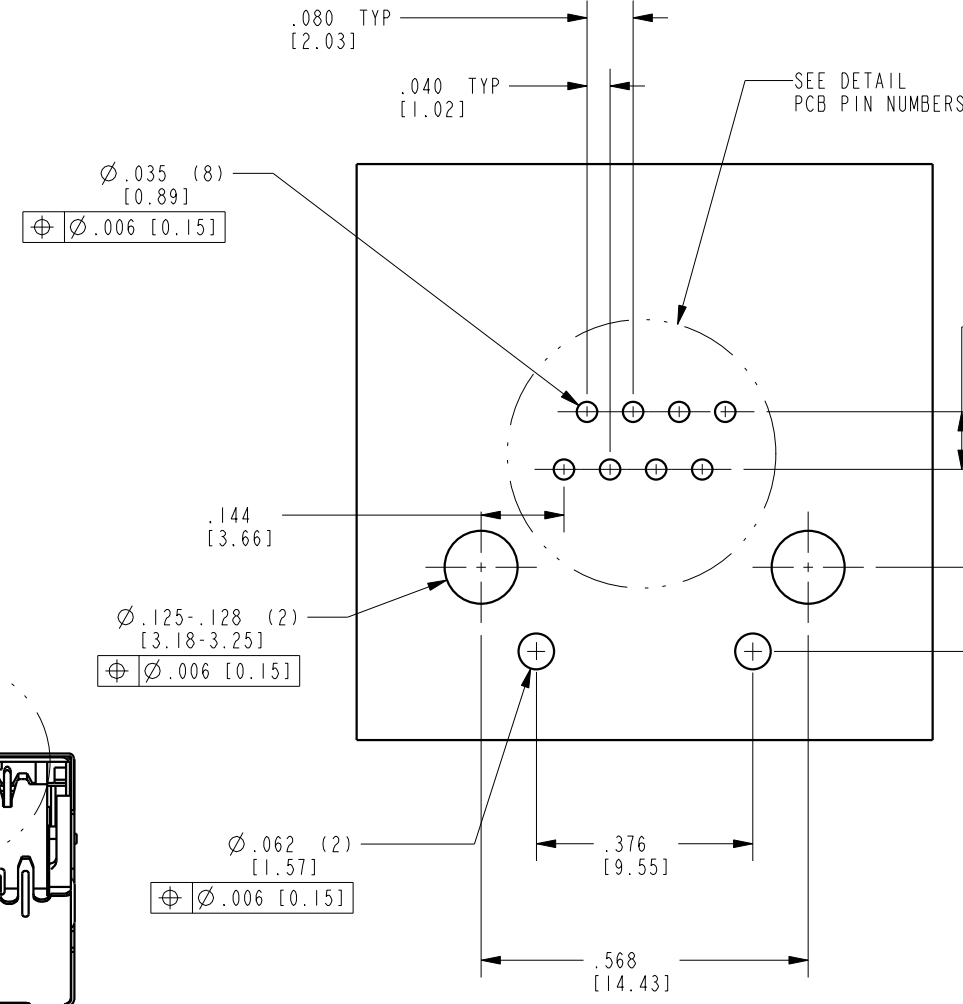
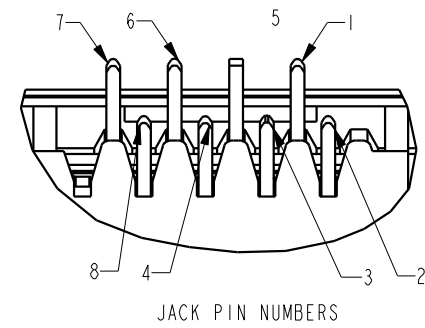
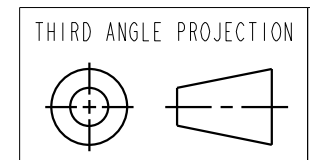
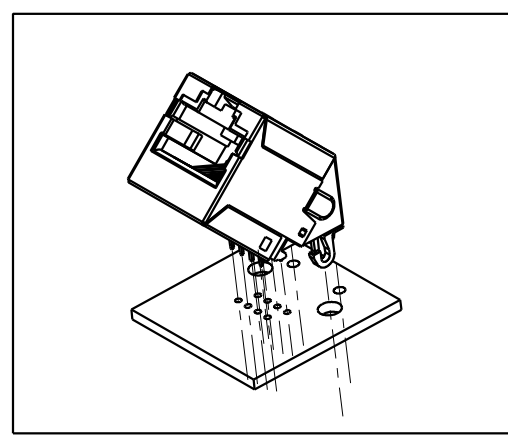


DATE	REV.	ECN	APP'D BY
9-26-07	C0	8241	TRM
5-30-12	C1	9481	SMN
6-19-12	C2	9515	TRM
2-17-15	C3	10260	ADB



- NOTES:
- CONNECTOR MATERIALS:
HOUSING: THERMOPLASTIC UL94 V-0
CONTACTS/SHIELD: COPPER ALLOY
SHIELD PLATING: NICKEL
CONTACT PLATING: SELECTIVE PLATING IN CONTACT AREA
SEE CHART FOR DETAILS.
 - PRODUCT DESIGNED FOR CATEGORY 6 APPLICATIONS
 - DIMENSIONS AND TOLERANCES COMPLY WITH TIA-1096 STANDARD.
 - REFERENCE PRODUCT SPECIFICATION PR026-01

50 MICRO-INCHES [1.27um] Au OR 5 MICRO-INCHES [0.13um] Au OVER 30 MICRO-INCHES [0.76um] PdNi	SS-60000-011
CONTACT PLATING IN MATING AREA	PART NUMBER



11118 Susquehanna Trail South
Glen Rock, PA 17327-9199
(717) 235-7512
<http://www.stewartconnector.com>

DO NOT SCALE DRAWING	TITLE: 47.5° CATEGORY 6 SHIELDED JACK	
DRAWING IS SUBJECT TO CHANGE WITHOUT NOTICE	DRN BY: JRC	DATE: 12-05-02
DIMENSIONS: INCHES [METRIC]	APPD BY: DHG	DATE: 12-19-02
UNLESS OTHERWISE SPECIFIED TOLERANCES ARE ±.005 [0.13] ANGLES ARE ±1°	DWG. NO. CT600014	REV. C3
SHEET NO. 1 OF 1	THIS DRAWING AND THE SUBJECT MATTER SHOWN THEREON ARE CONFIDENTIAL AND THE PROPRIETARY PROPERTY OF STEWART CONNECTOR AND SHALL NOT BE REPRODUCED, COPIED, OR USED IN ANY MANNER WITHOUT PRIOR WRITTEN CONSENT OF STEWART CONNECTOR. THIS PRODUCT MAY BE PROTECTED BY ONE OR MORE OF THE FOLLOWING US PATENTS: 5791942 6217391 6368159 6419526 6602097 687722 6964587 7048590 7086909 7568950 7686650 OTHER PATENTS MAY BE PENDING.	