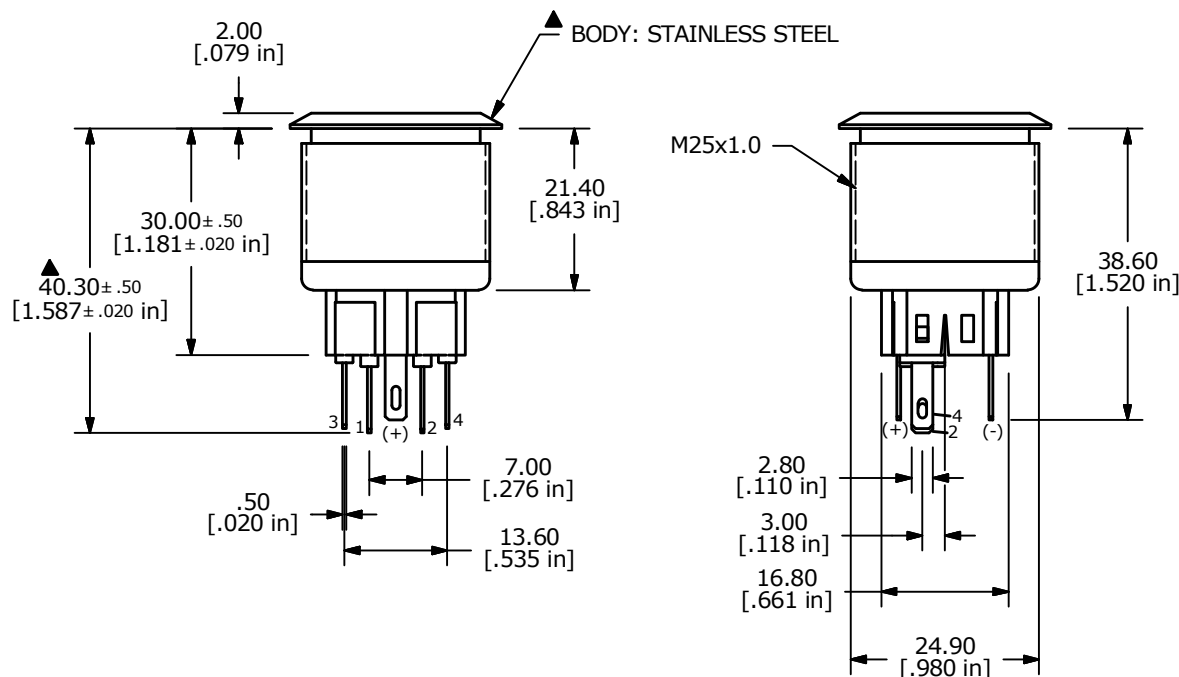
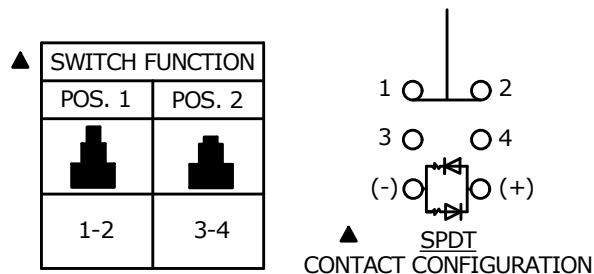
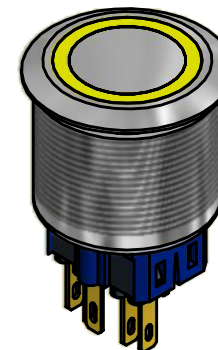
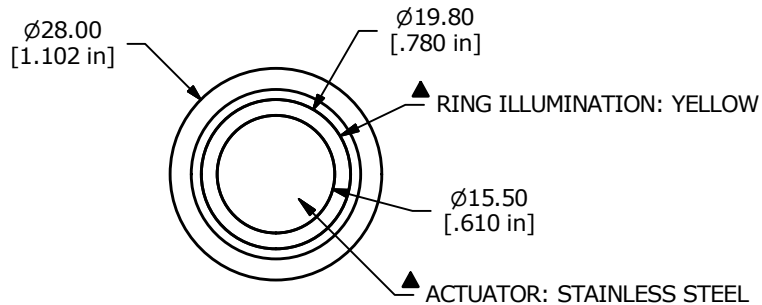


PANEL CUTOUT  
MAX. PANEL THICKNESS 12mm



- NOTE:
- ALL DIMENSIONS IN MM [INCH]
  - GENERAL TOLERANCE: X.X = ± 0.4  
X.XX = ± 0.25
  - TERMINAL NOS. FOR REF. ONLY
  - FUNCTION: SPDT
  - RATING: 2A @ 48VDC
  - ILLUMINATION VOLTAGE: 20mA 1.8V
  - CONTACT RESISTANCE: 50mΩ MAX. @ 1A 12VDC
  - INSULATION RESISTANCE: 1,000MΩ @ 500VDC
  - DIELECTRIC STRENGTH: 2,000VAC MIN. FOR 1 MINUTE
  - ELECTRICAL LIFE: 50,000 CYCLES
  - OPERATING TEMPERATURE: -20°C TO 70°C
  - INGRESS PROTECTION: IP65
  - ▲ DENOTES CRITICAL PARAMETER
  - 2002/95/EC (ROHS) COMPLIANT
  - ILLUMINATION COLOR: YELLOW (FORWARD), YELLOW (REVERSE)
  - SUPPLIED HARDWARE: O-RING AND HEX NUT



|                     |                |       |                     |       |
|---------------------|----------------|-------|---------------------|-------|
| TITLE PV8F2T0SS-351 |                |       |                     |       |
| SCALE 1:1           | DATE 4/15/2015 | DR MW | DWG 52-PV8F2T0SS351 | REV A |

|     |        |                        |         |    |
|-----|--------|------------------------|---------|----|
| A   | 21830  | RELEASE FOR PRODUCTION | 4/15/15 | MW |
| REV | PCR NO | DESCRIPTION            | DATE    | BY |

THE INFORMATION CONTAINED IN THIS DOCUMENT IS PROPRIETARY TO E-SWITCH AND IS NOT TO BE COPIED OR TRANSFERRED