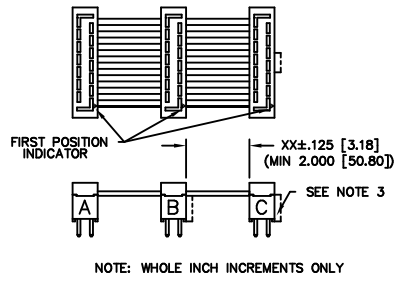
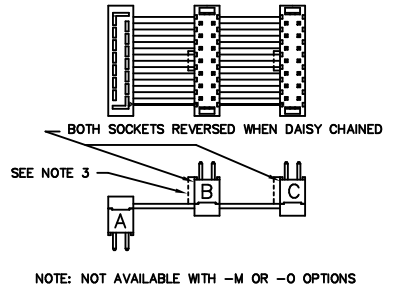


REV. V -D"XX"
DAISY CHAIN-DOUBLE (SEE NOTE 1.)

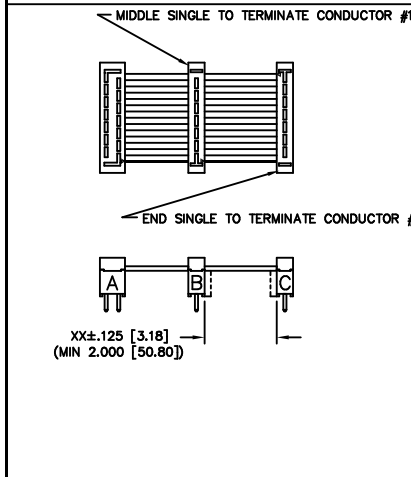


-R
REVERSED CONNECTOR (SEE NOTE 1.)

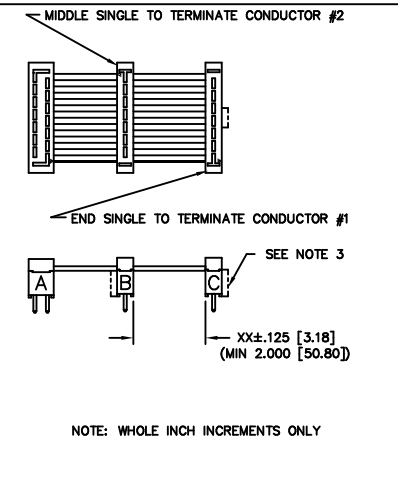


DIMENSIONS ARE IN INCHES		UNLESS OTHERWISE NOTED		TOLERANCES ARE:	TITLE	DWG NO:
ONE PLACE DECIMALS ±.1	THREE PLACE DECIMALS ±.005	ANGLES	±1°	.100 C.L. MOLD TO POS.	DOUBLE ROW, MALE ASSEMBLY	HCMD-XX-Y-XX-XX-XX-XXX
TWO PLACE DECIMALS ±.01	FOUR PLACE DECIMALS ±.0020					SHEET 2 OF 2

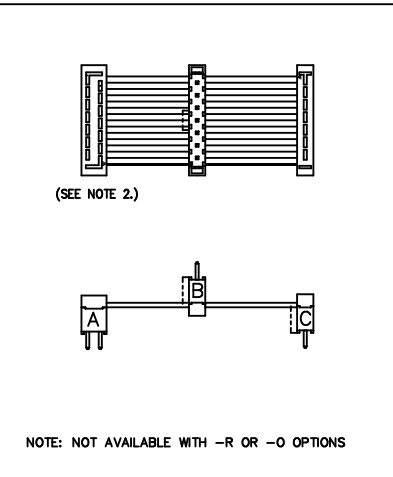
-W"XX"
WIRING REVERSED (SEE NOTE 2.)



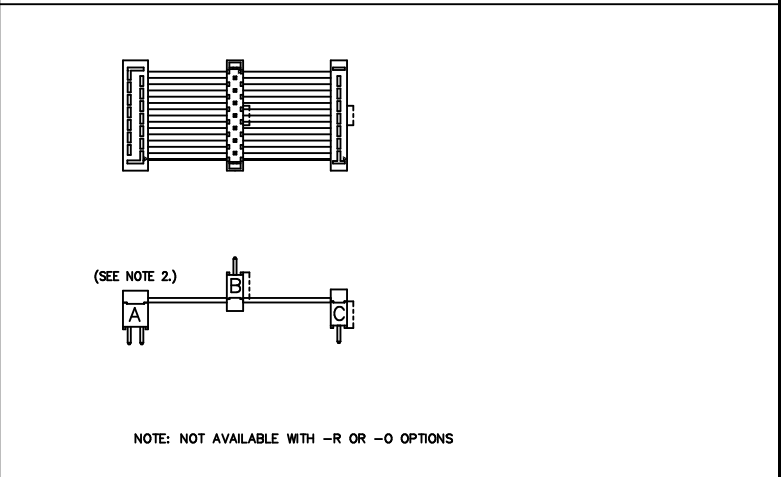
-S"XX"
DAISY CHAIN-SINGLE (SEE NOTE 2.)



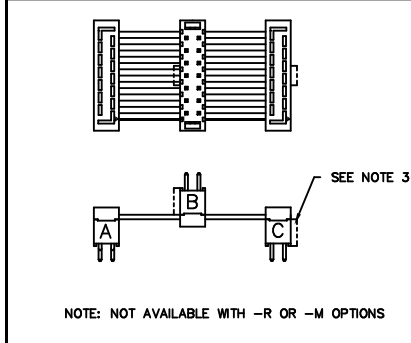
-W"XX"-M
MIDDLE REVERSED



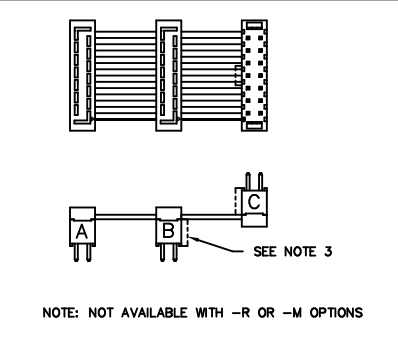
-S"XX"-M
MIDDLE REVERSED



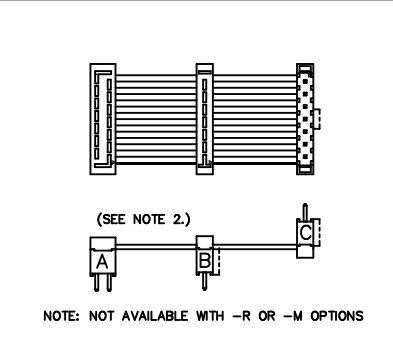
-D"XX"-O
MIDDLE REVERSED (SEE NOTE 1.)



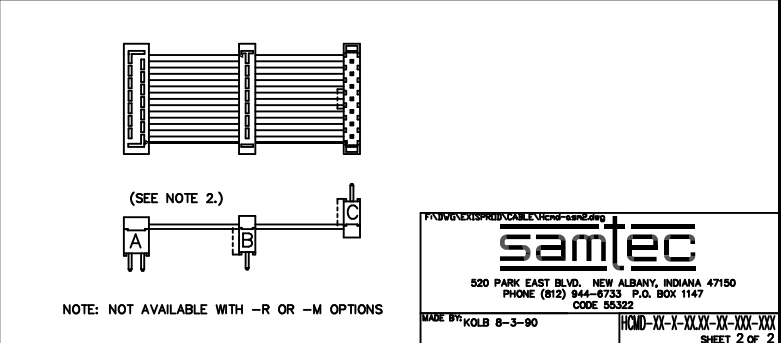
-D"XX"-O
OUTSIDE REVERSED (SEE NOTE 1.)



-W"XX"-O
OUTSIDE REVERSED



-D"XX"-O
OUTSIDE REVERSED



www.samtec.com

samtec

520 PARK EAST BLVD. NEW ALBANY, INDIANA 47150
PHONE (812) 944-8733 F.O. BOX 1147
CODE 55322

MADE BY: KOLB 8-3-90

HCMD-XX-Y-XX-XX-XX-XXX
SHEET 2 OF 2