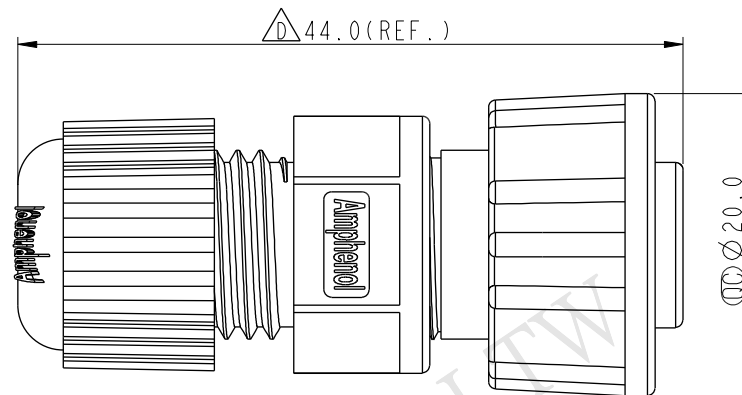
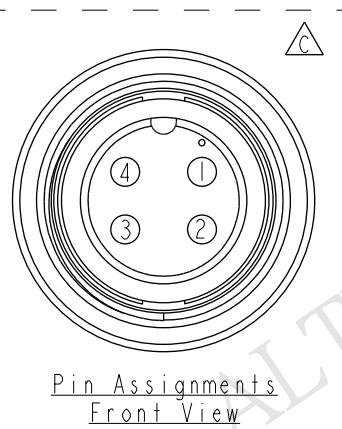
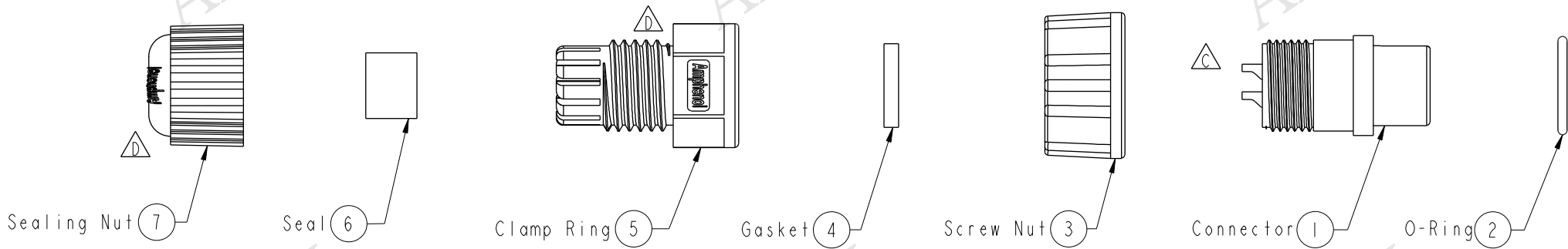


REV.	ECN NO.	DATE	SIGN	DESCRIPTION
B	LE3-910096	2008/11/06	Li Xiu Zhi	Change View
C	LEN-0C0585	2010/11/29	Ivan	Change View
D	LEN14C0034	2014/11/21	Vicky	Update Logo & Dimension

ALTW
CONFIDENTIAL
2014-11-21
R&D DEPT.

ALTW
DCC. DEPT.
CONFIDENTIAL
2014.12.03
ISSUED



- Note:
- * CC Important Dimension To Check.
 - * Waterproof Rate: IP67
 - * Housing: Nylon+GF, Black
 - * Female Pin: Copper Alloy, Gold Plated
 - * O-Ring: EPDM, Black
 - * Screw Nut: Nylon+GF, Black
 - * Gasket: EPDM, Black
 - * Clamp Ring: Nylon, Black
 - * Seal: EPDM, Black
 - * Sealing Nut: Nylon, Black
 - * Seal For Cable OD: $\varnothing 4.5\text{mm} \sim \varnothing 6.5\text{mm}$
(防水墊圈線徑: $\varnothing 4.5\text{mm} \sim \varnothing 6.5\text{mm}$)
 - * One Set Unassembled In One PE Bag
(每一組未組裝, 放置於一個PE袋, 並封口)

UNIT: mm TOLERANCE .X ± 0.25 .XX ± 0.1 .XXX ± 0.05 ANGLES $\pm 1^\circ$	TITLE STANDARD ASSY SCREW 4PIN F CONN F PIN			Amphenol LTW 安費諾亮泰企業股份有限公司		ITEM NO BD-04BFFA-SL7001	DRAWN BY Vicky	DATE 2014-11-21
	SCALE 5:4	SIZE A4	SHEET 1 OF 1	DWG NO BD-04BFFA-SL7001		CHECKED BY Sam	DATE 2014-11-21	
	REV. D	WC-REV. A.2	CC : Inspection item	CUSTOMER ALTW		APPROVED BY Rita	DATE 2014-11-21	
								FMM10702-01-02A1

THIS DOCUMENT IS SUBJECT TO CHANGE WITHOUT NOTICE. IT IS CONFIDENTIAL AND A PROPERTY OF Amphenol LTW. DISCLOSURE TO THIRD PARTY HAS TO BE AUTHORIZED BY Amphenol LTW.