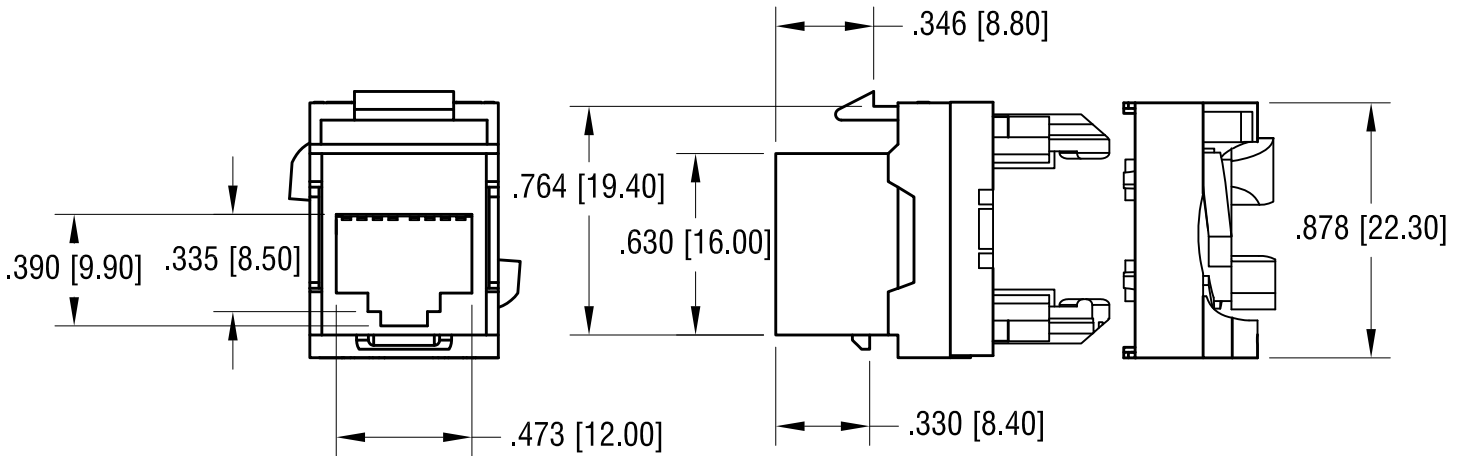
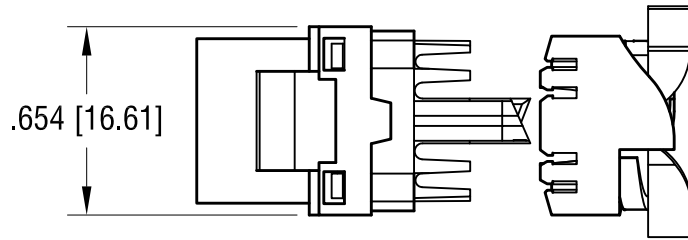
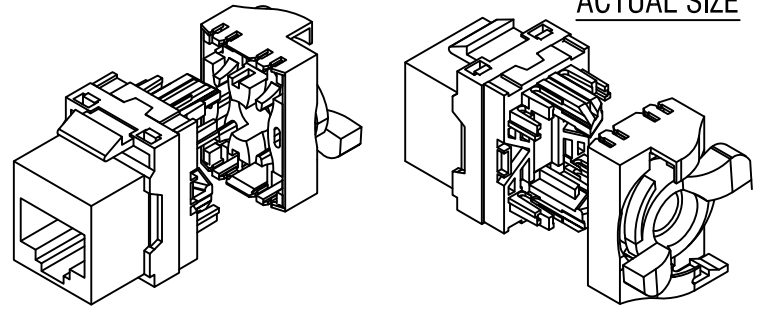


THIS DOCUMENT IS THE PROPERTY OF KEYSTONE ELECTRONICS CORP. AND SHALL NOT BE REPRODUCED, DISTRIBUTED OR USED AS A BASIS FOR MANUFACTURE WITHOUT PRIOR WRITTEN PERMISSION FROM KEYSTONE ELECTRONICS CORP.

**ACTUAL SIZE**



**NOTE:**

1. HOUSING: MAT'L- PC UL 94V-0
2. INSERT : MAT'L- FLAME RETARDANT ABS UL94V-0
3. CONTACT: MAT'L PHOSPHOR BRONZE FINISH- GOLD PLATE
4. IDC CONTACT: MAT'L- PHOSPHOR BRONZE FINISH- NICKEL PLATE
5. WIRE: 24-26 AWG (8 WIRES)
6. RJ45 CONTACTS:  $\geq 750$  TIMES
7. IDN LIFE: 250 TIMES MIN.
8. RETENTIVENESS OF INSERTION STRUCTURE: 50N 60 $\pm$ 5s
9. COMPLIANT WITH EIA/TIA SPECIFICATION
10. DUAL COLOR- CODED LABEL FOR BOTH T568A/T568B WIRING SCHEMES

9.02.15	UPDATE SPECIFICATION CHANGE AS PER ECN 15-087	A
DATE	DESCRIPTION	REV.

<b>KEYSTONE ELECTRONICS CORP.</b>			
www.keyelco.com • ASTORIA, N.Y. 11105-2017 • Tel (718) 956-8900			
PART NAME KEYSTONE JACK, CAT 6A UTP TOOLLESS			
MATERIAL AS NOTED			
FINISH AS NOTED		DRN BY NT	DATE 2.12.15
		APP'D LN	SCALE 1.5X
TOLERANCES DECIMAL ANGULAR	INCH [MM] $\pm .005$ [ $\pm 0.13$ ] $\pm 1^\circ$	CODE C	DWG NO. 946
UNLESS OTHERWISE SPECIFIED			