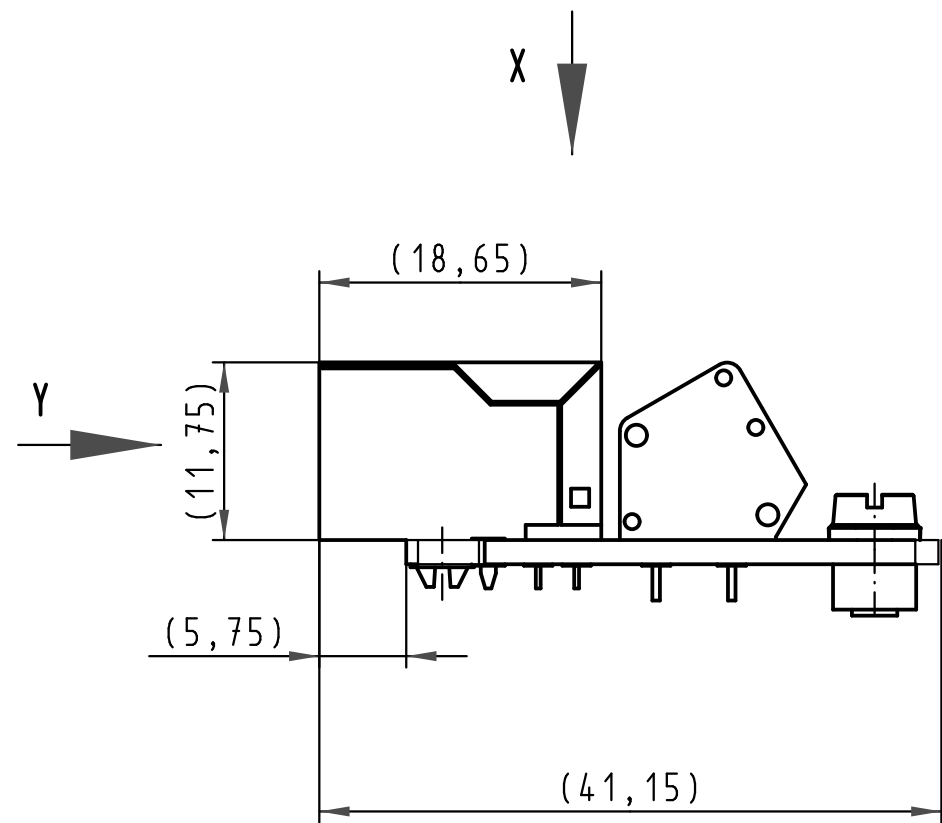
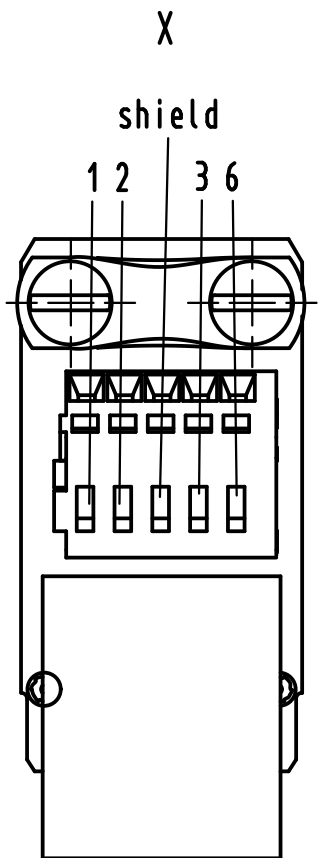
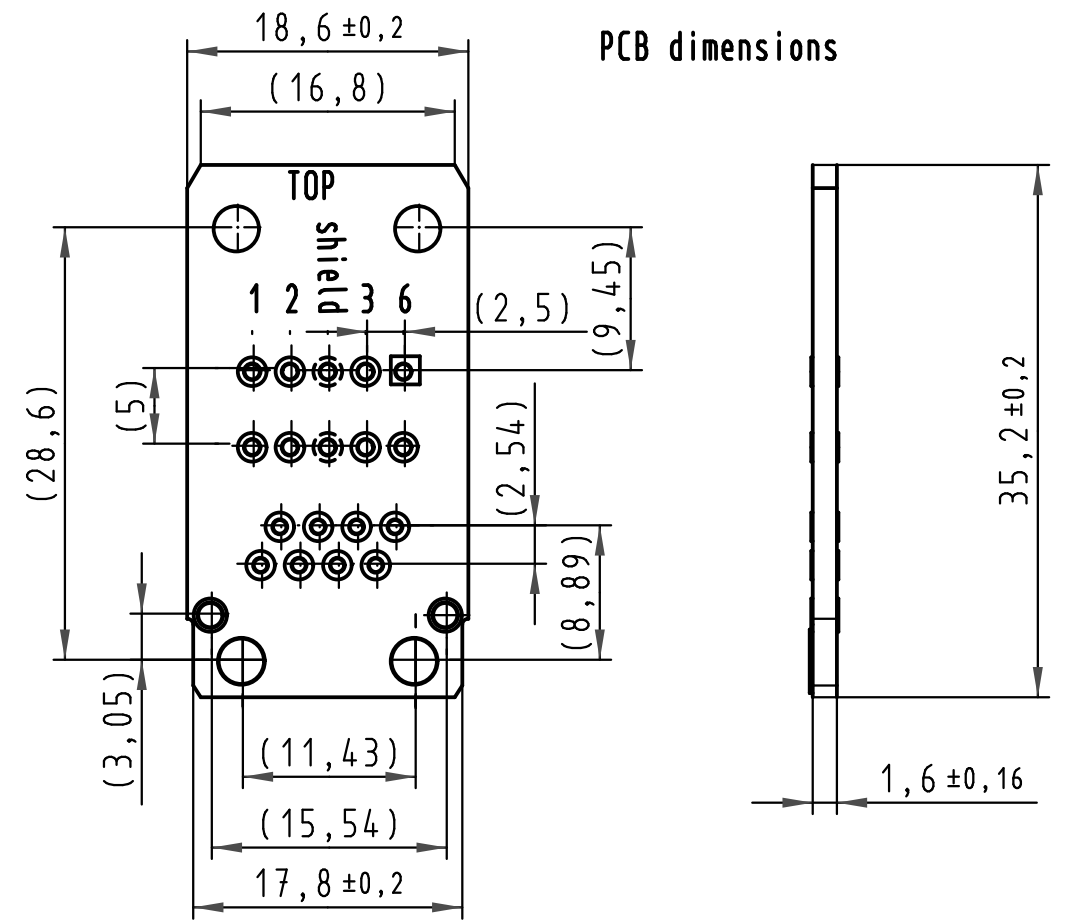


Alle Rechte vorbehalten/ All rights reserved



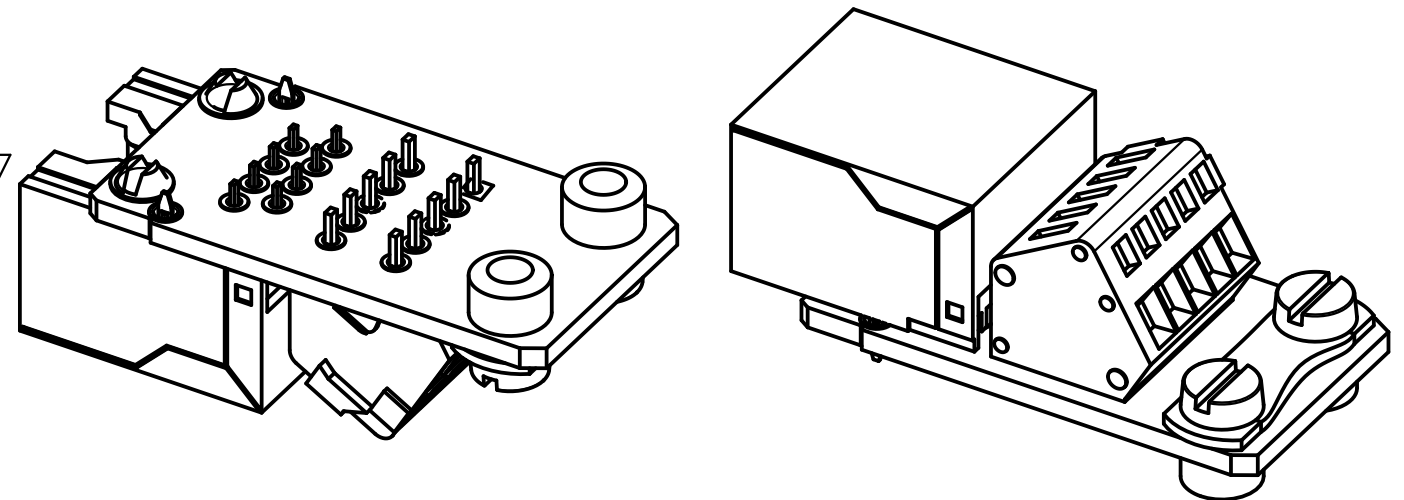
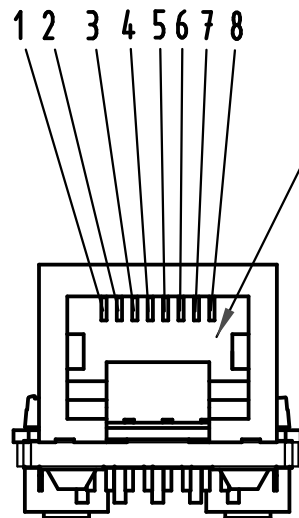
PCB dimensions



Loading-Plan



Mating face RJ45 according to IEC 60603-7



RJ45 PCB + RJ 45 Jack+5poles Cage Clamp	09 45 545 1135
Description	Part-No.

Wires cross-section: 5xAWG 28-20 (0.08-0.5 mm²)

All Dimensions in mm Original Size DIN A 3			Techn. Character.			Nicht tolerierte Maß/Free size tolerances			
Mod.	Dat.	Name	Dat.	Name	Maßstab/Scale	RJ45 PCB + RJ 45 Jack +5poles Cage Clamp			
			Detail.	19.05.08 MS	2:1			TB 09 45 545 1135	
			Insp.						
			Stand.						
35033	23.10.08	MS	HARTING Electronics GmbH & Co. KG D-32339 ESPELKAMP			Sub.			
						Blatt/ page			