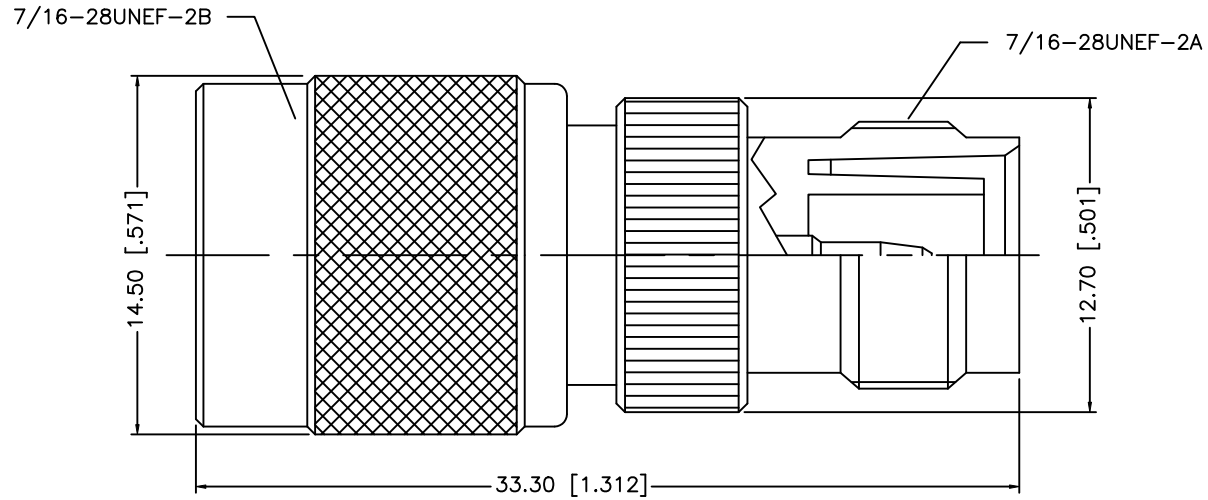


REV.	DATE	ECR NO.	DESCRIPTION
NC	11/10/04	-	INITIAL RELEASE
A	08/09/08	-	REVISE PART DESCRIPTION FROM "PLUG" TO "JACK"



8					<small>UNLESS OTHERWISE SPECIFIED DIMENSIONS ARE IN MILLIMETERS. DIMENSIONS IN [ ] ARE IN INCHES AND FOR CUSTOMER REFERENCE ONLY.</small> <small>UNLESS OTHERWISE SPECIFIED TOLERANCES FOR MILLIMETERS ARE:  0.5 - 8mm ± 0.20mm  8 - 30mm ± 0.40mm  30 - 120mm ± 0.50mm</small> <small>UNLESS OTHERWISE SPECIFIED TOLERANCES FOR INCHES ARE:  .020 - .315 = ± 0.007"  .315 - 1.180 = ± 0.015"  1.180 - 4.724 = ± 0.020"</small>	APPROVALS	DATE	<h1 style="color: blue;">Amphenol Connex</h1>		
7				DRAWN		GRS	08/09/08			
6				CHECKED				<b>PART NO.</b> <b>122498RP-10</b>		
5				ISSUED					<b>DWG. NO.</b> 122498RP-10.DWG	
4				SHEET	1 OF 1		REV. A	SIZE A		SCALE NA
3	CONTACT PIN	PHOS. BRONZE	GOLD	1	<small>DO NOT SCALE DRAWING</small> C:/122/122498RP-10.DWG					
2	INSULATOR	PTFE	NATURAL	1						
1	BODY	BRASS	NICKEL	1						
	DESCRIPTION	MATERIAL	FINISH	QTY						