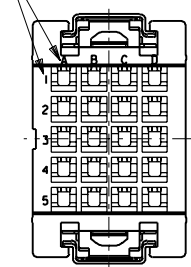
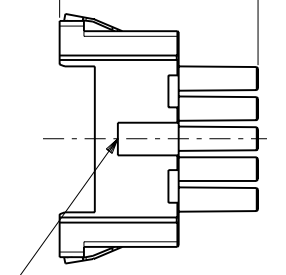


回路番号表示  
CKT.No.IDENTIFICATION

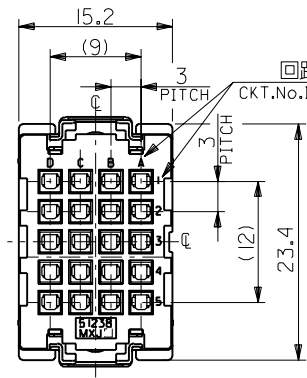
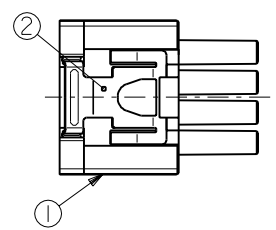


電線挿入側  
WIRE SIDE

19.7



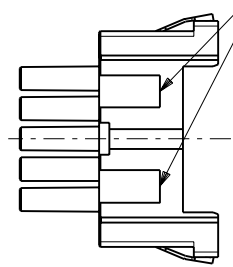
シエル挿入方向キー  
POLARIZATIONS KEY FOR SHELL



嵌合側  
MATING SIDE

回路番号表示  
CKT.No.IDENTIFICATION

シエル挿入方向キー  
POLARIZATIONS KEY FOR SHELL



注記  
NOTES

- 材質  
MATERIAL  
①ハウジング：ガラス入りPBT樹脂  
HOUSING : PBT G.F.  
UL94V-0 色：黒  
UL94V-0 COLOR : BLACK  
②スプリング：ステンレス鋼 t0.3  
SPRING : STAINLESS STEEL t0.3
- 適用端子：56120-8\*90 , 56121-8\*90  
APPLICABLE CRIMP PIN : 56120-8\*90 , 56121-8\*90
- 適用リセプタクル シェル：56377-20\*\*  
APPLICABLE RECEPTACLE SHELL : 56377-20\*\*
- 嵌合相手：51234-200\*  
MEET WITH : 51234-200\*

<誤嵌合防止キー(極性)タイプ> <POLARITY KEY TYPE>

51238-2011	51238-2012	51238-2013	51238-2014	51238-2015
STANDARD TYPE	A TYPE	B TYPE	C TYPE	D TYPE

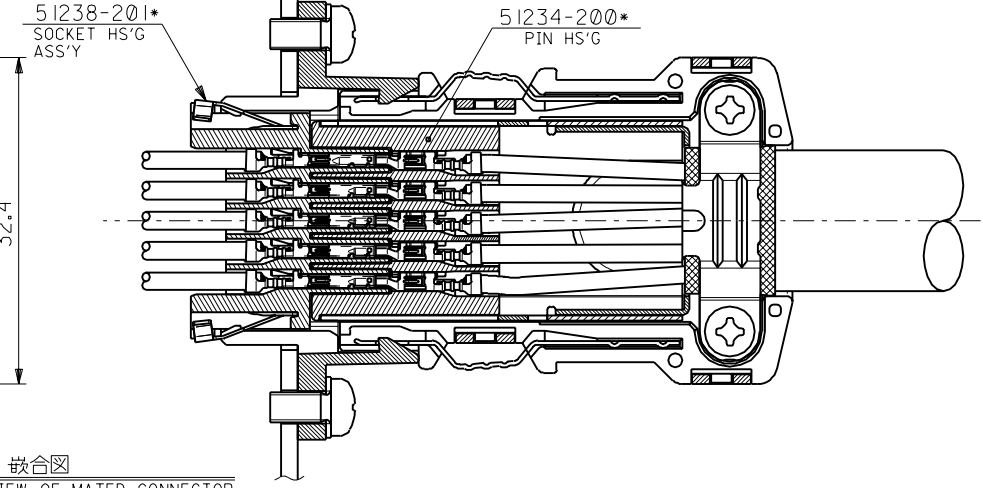
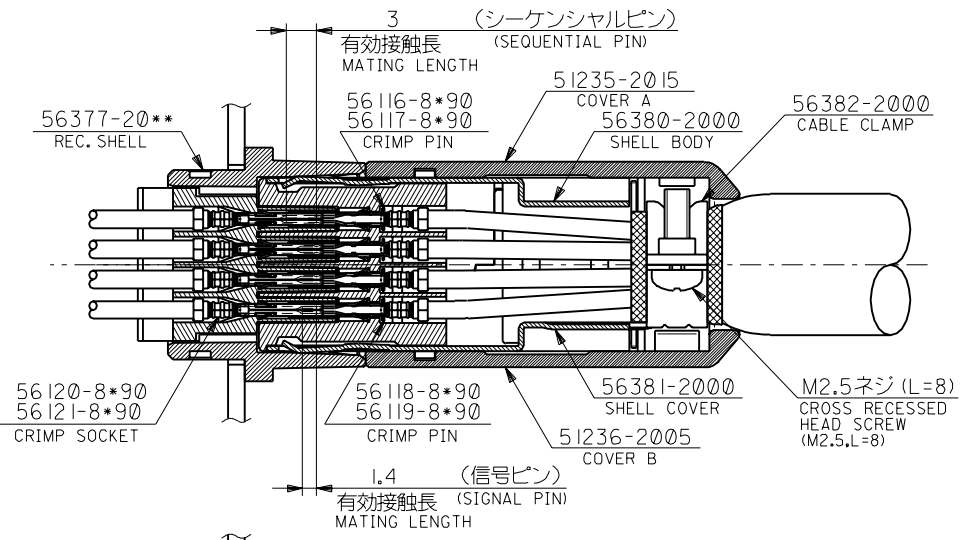
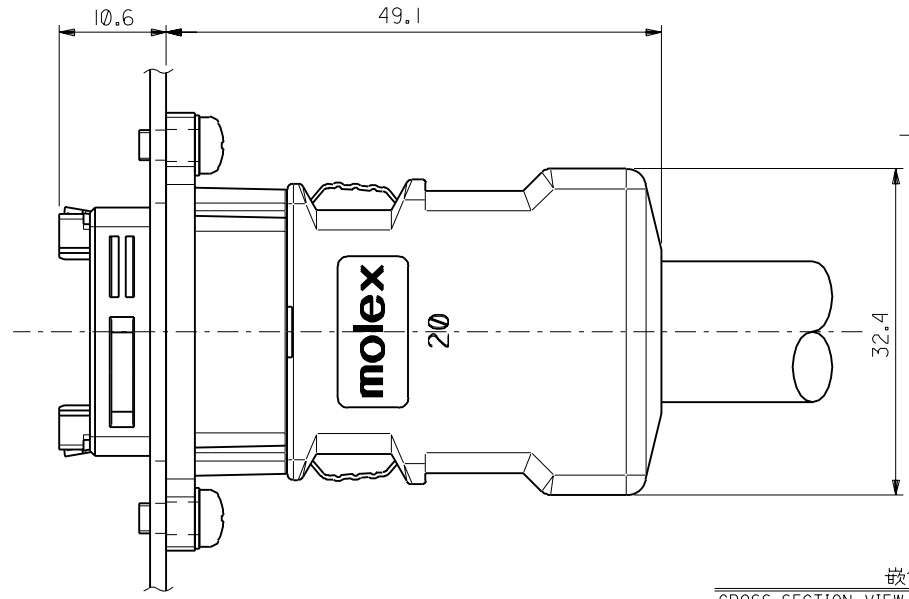
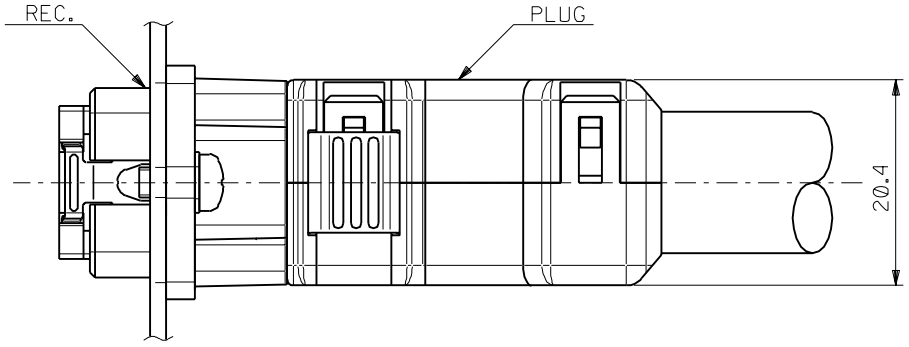
C-4	D	51238-2015	51238-***1*	20
C-3	C	51238-2014		
B-3	B	51238-2013		
B-2	A	51238-2012		
—	STANDARD	51238-2011		
POLARITY POSITION (CIRCUIT No.)	POLARITY TYPE	MATERIAL No.	MODEL No.	CIRCUIT

DO NOT SCALE DRAWING

EC NO. DRWN: CHK: APPR:	EC NO. DRWN: CHK: APPR:	EC NO. DRWN: CHK: APPR:	REVISED 01/10/04 EC NO. J2002-0786 DRWN: S.AKIYAMA CHK: J.MIYAZAWA APPR: Y.O.ITO	RELEASED 01/02/16 EC NO. JD2001-1040 DRWN: S.AKIYAMA CHK: J.MIYAZAWA APPR: H.IKESUGI	DESCRIPTION MATERIAL 材料 FINISH 仕上げ WIRE RANGE 適用電線範囲 INS. RANGE 被覆外径	注記参照 SEE NOTES —	GENERAL TOLERANCES: (UNLESS SPECIFIED) 一般公差 10 UNDER 未満 ±0.2 10 OVER 以上 30 UNDER 未満 ±0.25 30 OVER 以上 ±0.3 ANGLE 角度 ±3°	SCALE 2-1 DESIGN UNITS mm INCH THIRD ANGLE PROJECTION	TITLE: COMPACT ROBOT CONN. (CRC) REC. SOCKET HS'G ASS'Y	MATERIAL NO. SD-51238-008	SHEET NO. 1 OF 4
			A	0					MOLEX INCORPORATED	SEE CHART	EN-02J(097) MXJ-54

A  
51238008.S01

DWG. NO.  
SD-51238-008



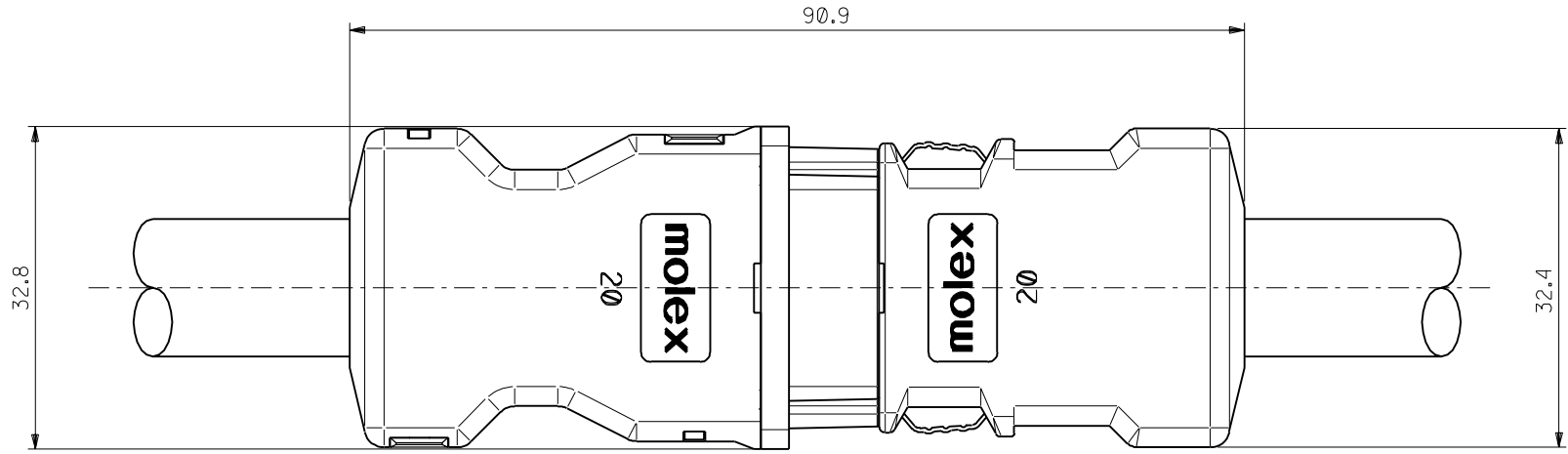
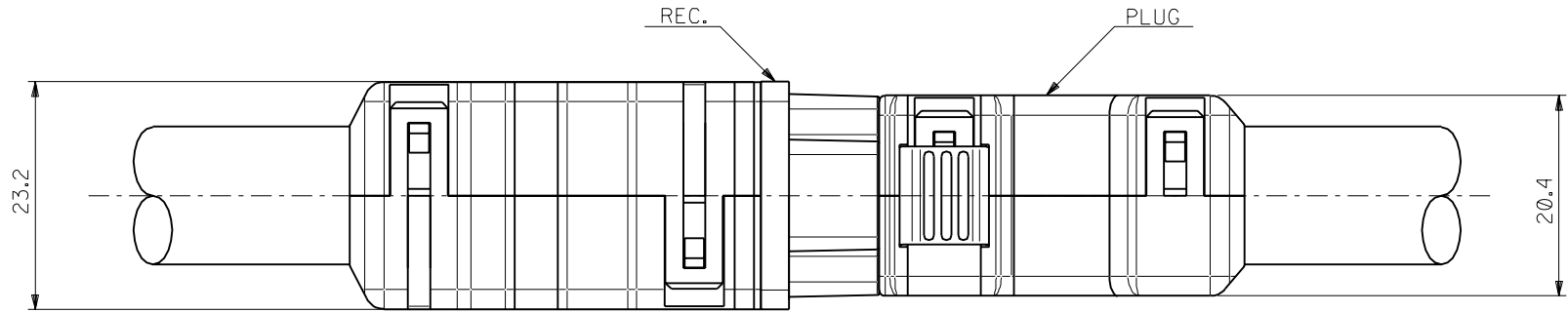
嵌合図  
CROSS-SECTION VIEW OF MATED CONNECTOR

DO NOT SCALE DRAWING

EC NO. DRWN: CHK: APPR:	EC NO. DRWN: CHK: APPR:	EC NO. DRWN: CHK: APPR:	REVISED 01/10/04	MATERIAL 材料	GENERAL TOLERANCES: (UNLESS SPECIFIED) 一般公差	SCALE 2-1	DESIGN UNITS mm □ mm □ INCH	THIRD ANGLE PROJECTION	DIMENSIONS: mm □ mm □ INCH □ mm ONLY	SHT REVISE ON CAD ONLY	REV
			EC NO. J2002-0786 DRWN: S.AKIYAMA CHK: J.MIYAZAWA APPR: YO.ITO								
A	0	0	RELEASED 01/02/16	FINISH 仕上げ	30 UNDER 未満	±0.25	CHECKED BY & DATE J. Miyazawa / Y. Ito	MATERIAL NO. SEE CHART	DRAWING NO. SD-51238-008	SHEET NO. 2 OF 4	SIZE B
			EC NO. JD2001-1040 DRWN: S.AKIYAMA CHK: J.MIYAZAWA APPR: H.IKESUGI								
				INS. RANGE 被覆外径	30 OVER 以上	±0.3	CAD FILE NAME 51238008.S01				

注記参照  
SEE NOTES

THIS DRAWING CONTAINS INFORMATION THAT IS PROPRIETARY TO MOLEX INCORPORATED AND SHOULD NOT BE USED WITHOUT WRITTEN PERMISSION.



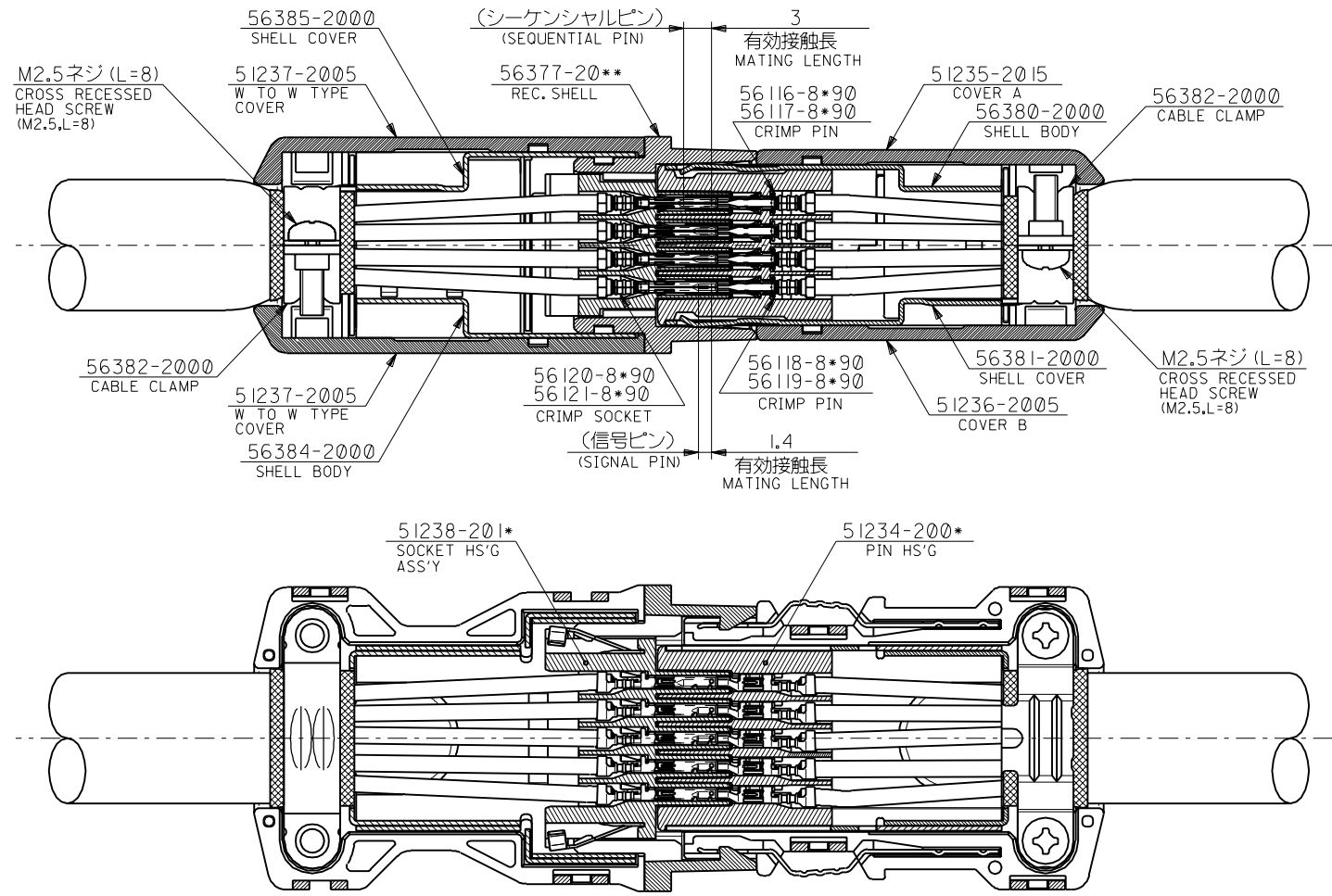
嵌合図 (中継タイプ)  
CROSS-SECTION VIEW OF MATED CONNECTOR  
(WIRE TO WIRE TYPE)

DO NOT SCALE DRAWING

EC NO. DRWN: CHK: APPR:	EC NO. DRWN: CHK: APPR:	EC NO. DRWN: CHK: APPR:	REVISED 01/10/04	MATERIAL 材料	GENERAL TOLERANCES: (UNLESS SPECIFIED) 一般公差	SCALE	DESIGN UNITS	THIRD ANGLE PROJECTION	DIMENSIONS:		SHT	REV
			EC NO. J2002-0786 DRWN: S.AKIYAMA CHK: J.MIYAZAWA APPR: YO.ITO			2-1	mm <input checked="" type="checkbox"/> mm <input type="checkbox"/> INCH		<input type="checkbox"/> mm <input type="checkbox"/> INCH	<input checked="" type="checkbox"/> mm ONLY	REVISION	DATE
A	0	0	RELEASED 01/02/16	FINISH 仕上げ	10 UNDER 未満	±0.2	DRAWN BY & DATE <i>S. Akiyama</i> / 01/25	TITLE: COMPACT ROBOT CONN. (CRC) REC. SOCKET HS'G ASS'Y				
			EC NO. JD2001-1040 DRWN: S.AKIYAMA CHK: J.MIYAZAWA APPR: H.IKESUGI									
				WIRE RANGE 適用電線範囲	30 OVER 以上	±0.3	APPROVED BY & DATE <i>Yo. Ito</i>	MATERIAL NO. SEE CHART DRAWING NO. SD-51238-008 SHEET NO. 3 OF 4				
				INS. RANGE 被覆外径	ANGLE 角度	±3°	CAD FILENAME 51238008.S03					

THIS DRAWING CONTAINS INFORMATION THAT IS PROPRIETARY TO MOLEX INCORPORATED AND SHOULD NOT BE USED WITHOUT WRITTEN PERMISSION.

DWG. NO.  
SD-51233-008



嵌合図 (中継タイプ)  
CROSS-SECTION VIEW OF MATED CONNECTOR  
(WIRE TO WIRE TYPE)

DO NOT SCALE DRAWING

EC NO. DRWN: CHK: APPR:	EC NO. DRWN: CHK: APPR:	EC NO. DRWN: CHK: APPR:	REVISED 01/10/04	MATERIAL 材料	GENERAL TOLERANCES: (UNLESS SPECIFIED) 一般公差	SCALE 2-1	DESIGN UNITS mm □ INCH	THIRD ANGLE PROJECTION	DIMENSIONS: □ mm □ INCH ☒ mm ONLY	SHT REVISE ON CAD ONLY	REV
			EC NO. J2002-0786 DRWN: S.AKIYAMA CHK: J.MIYAZAWA APPR: Y.O.IITO								
A	0	0	RELEASED 01/02/16	FINISH 仕上げ	10 OVER 以上	30 UNDER 未満	±0.25	CHECKED BY & DATE J. Miyazawa / Y. Oe	MATERIAL NO. SEE CHART	DRAWING NO. SD-51238-008	SHEET NO. 4 OF 4
			EC NO. JD2001-1040 DRWN: S.AKIYAMA CHK: J.MIYAZAWA APPR: H.IKESUGI								
				WIRE RANGE 適用電線範囲	—	ANGLE 角度	±3°	CAD FILE NAME 51238008.S04			
				INS. RANGE 被覆外径	—	THIS DRAWING CONTAINS INFORMATION THAT IS PROPRIETARY TO MOLEX INCORPORATED AND SHOULD NOT BE USED WITHOUT WRITTEN PERMISSION.				SIZE B	