



SUNON

SPECIFICATION FOR APPROVAL

CUSTOMER :

DESCRIPTION : AXIAL AC FAN

DIMENSIONS : 80X80X38 mm

MODEL : SF11580A

P/N : 1083HBL

APPROVED NO :

APPROVED BY :
(AUTHORIZED)



DAWN.		CHKD.		APPD.		SPEC. NO.	283211300
						ISSUE DATE	09.20.1996
						EDITION	0
						REVISE DATE	
						E.SPEC	AC1083-SP02

EME Fan & Motor

13805 Alton Parkway, Suite B

Irvine, CA 92718

Telephone: (714) 583-0802 • Fax: (714) 583-0705

AXIAL AC FAN

MODEL : SF11580A

P/N : 1083HBL

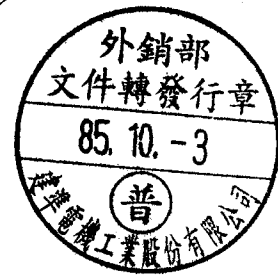


CHARACTERISTICS

- 1. Motor Design : Reliable Shaded-Pole Motor Construction.
- 2. Insulation Resistance : 500 Megohms minimum at 500 VDC.
- 3. Dielectric Strength : 1500 VAC for one minute.
- 4. Motor Protection : Impedence protected.
- 5. Noise Level : Measured in an semi-anechoic chamber
with background noise level below 15
dBA. The fan is running in free air with
microphone at a distance of one meter
from the fan intake.
- 6. Air Performance : Measured by a double chamber. The value are
recorded when the fan speed is stabilized at
rated voltage.
- 7. Tolerances : $\pm 15\%$ on rated power and current.



建準電機工業股份有限公司 SUNONWEALTH ELECTRIC MACHINE INDUSTRY CO., LTD.	SPEC. NO.	283211300	REVISE DATE	
	ISSUE DATE	09. 20. 1996	EDITION	0
	PAGE	2 OF 6		



SPECIFICATIONS

MODEL: SF11580A

P/N : 1083HBL

- 1-1. Rated Voltage : 115/115 VAC 50/60 HZ
- 1-2. Operating Voltage Range : 85-125 VAC
- 1-3. Starting Voltage : 85 VAC
- 1-4. Rated Speed : 2400/2850 RPM±5%
- 1-5. Air Delivery : 24/31 CFM
- 1-6. Static Pressure : 0.13/0.19 Inch-H₂O
- 1-7. Rated Current : 0.15/0.13 AMP
- 1-8. Input Power : 14/12 WATTS
- 1-9. Noise Level : 32/36.5 dB(A)
- 1-10. Direction of Rotation : Clockwies viewed from front face
- 1-11. Motor Protection : Impredance Protected
- 1-12. Operating Temperature : -10 to +70 Deg.C
- 1-13. Storage Temperature : -40 to +70 Deg.C
- 1-14. Bearing System : Precise ball bearing system
- 1-15. Weight : 340 g
- 1-16. Safety : UL/CSA Approvals

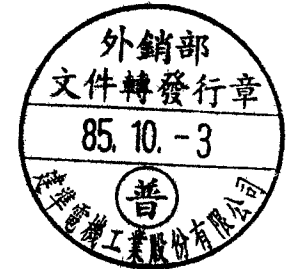
建準電機工業股份有限公司 SUNONWEALTH ELECTRIC MACHINE INDUSTRY CO., LTD.	SPEC. NO.	283211300	REVISE DATE	
	ISSUE DATE	09. 20. 1996	EDITION	0
	PAGE	3 OF 6		

MODEL: SF11580A

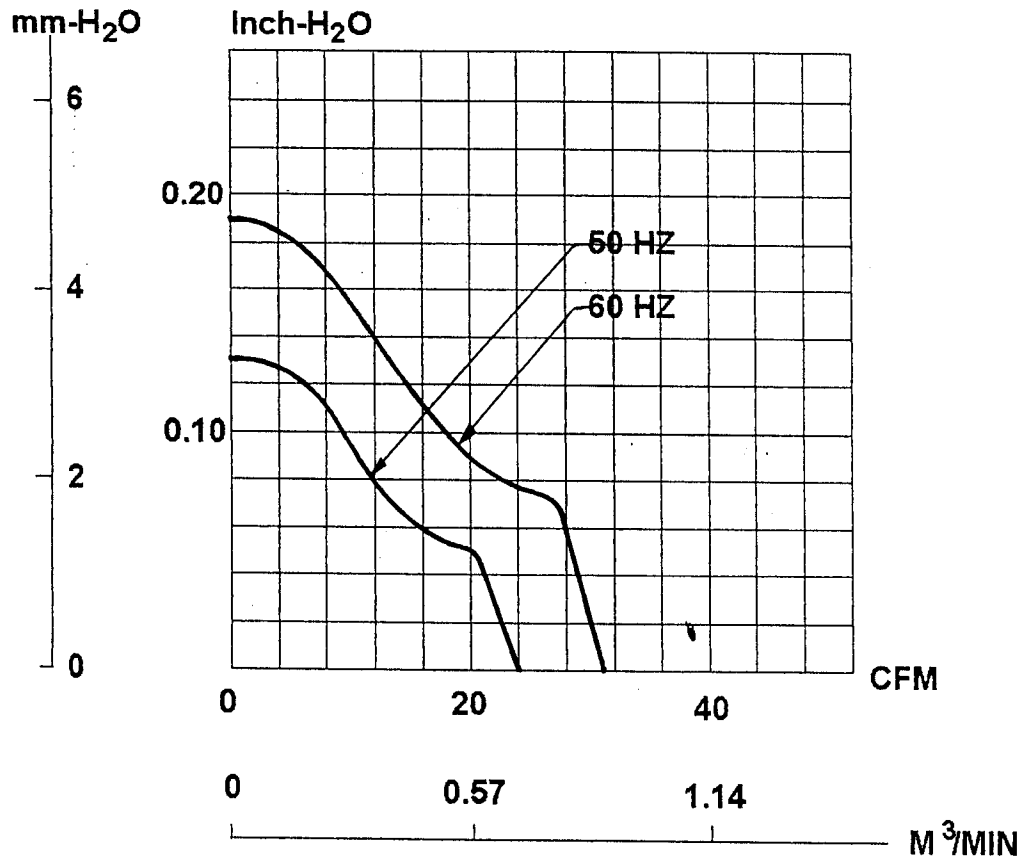
P/N : 1083HBL



PERFORMANCE CURVES



STATIC PRESSURE



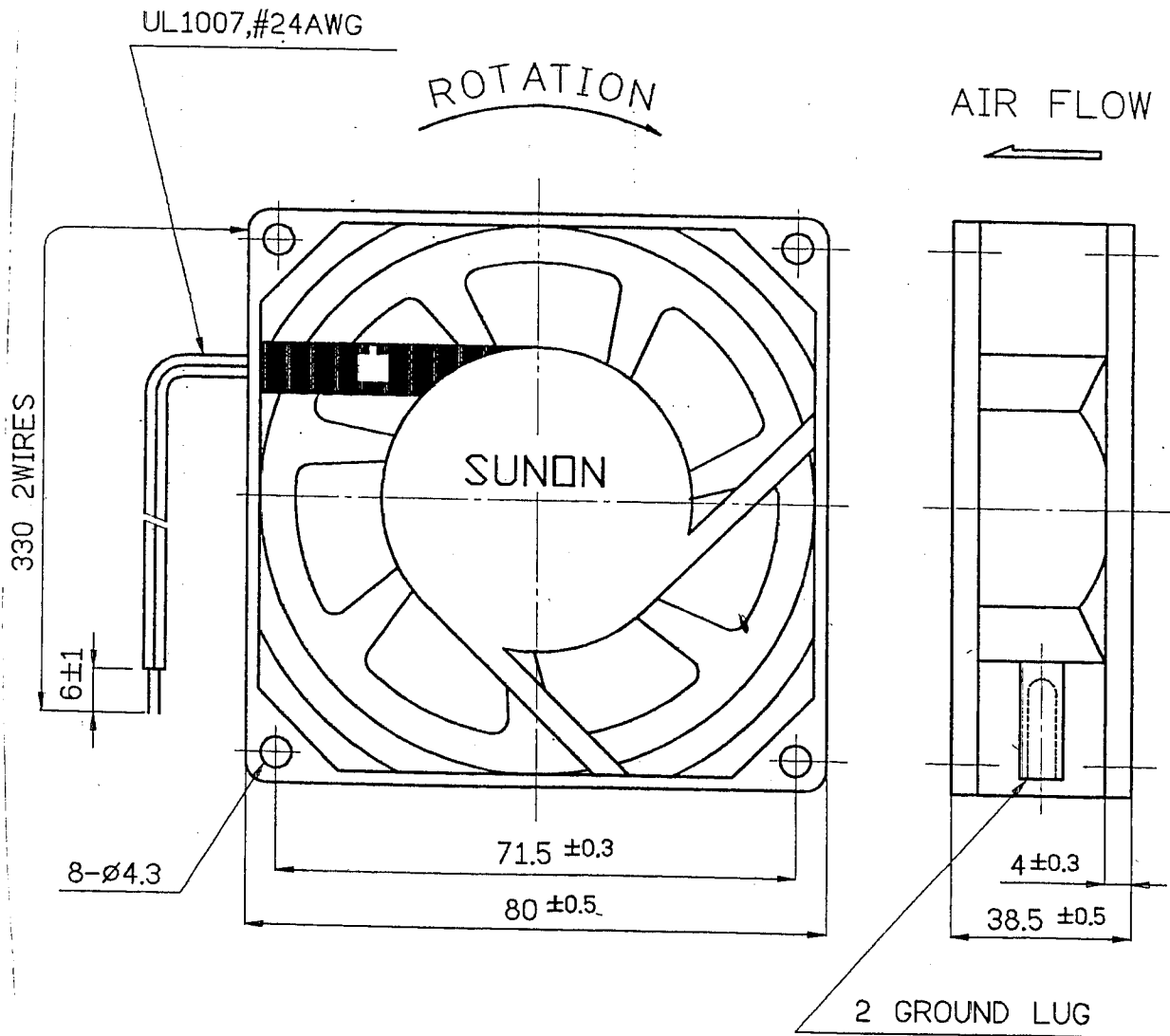
建準電機工業股份有限公司 SUNONWEALTH ELECTRIC MACHINE INDUSTRY CO., LTD.	SPEC. NO.	283211300	REVISE DATE	
	ISSUE DATE	09. 20. 1996	EDITION	0
	PAGE	4 OF 6		



MATERIAL

- 2. Material
- 2-1 Frame : Thermoplastic PBT of UL 94V-0
- 2-2. Impeller : Thermoplastic PBT of UL 94V-0
- 2-3. Lead Wire : UL1007,24AWG

DIMENSIONS



UNIT : mm

建準電機工業股份有限公司 SUNONWEALTH ELECTRIC MACHINE INDUSTRY CO., LTD.	SPEC. NO.	283211300	REVISE DATE	
	ISSUE DATE	09. 20. 1996	EDITION	0
	PAGE	5 OF 6		