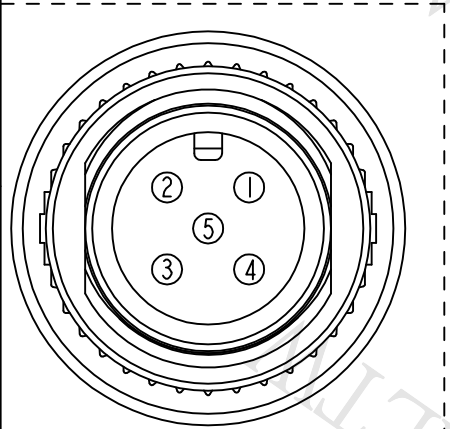
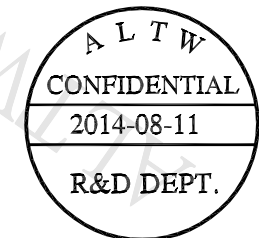
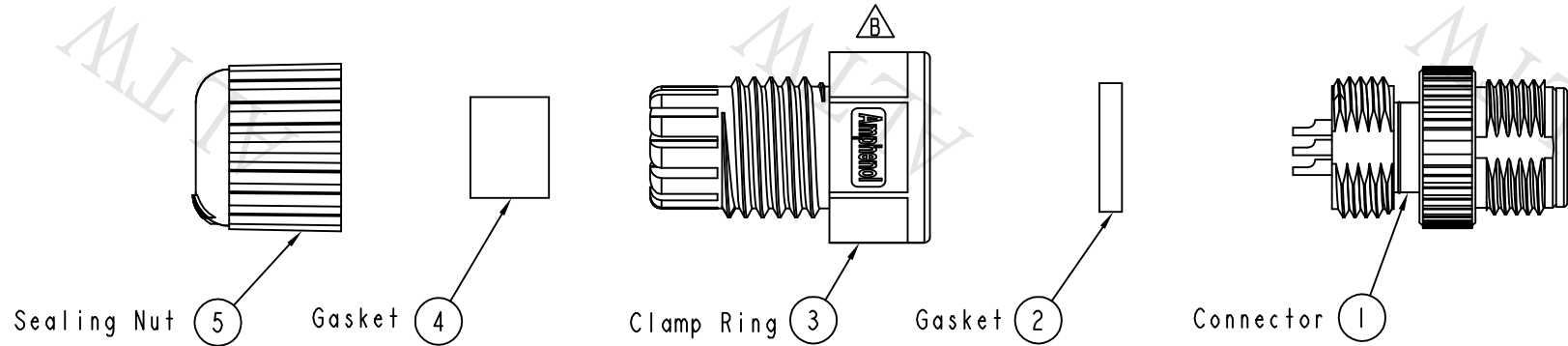
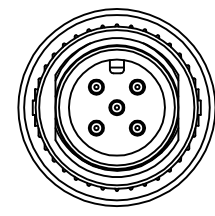
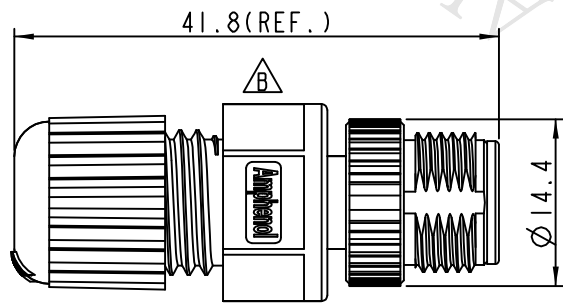


REV.	ECN NO.	DATE	SIGN	DESCRIPTION
B	LEN1480593	2014-08-11	Rita	Update Logo



Pin Assignments
Front View



Conn.

- Note:
- * \varnothing Important Dimension To Check.
 - * Waterproof Rate: IP68
 - * Housing: Black, Nylon+GF
 - * Pin: Copper Alloy, Gold Plated
 - * Nut: Zinc Alloy, Nickel Plated
 - * Gasket: Black, EPDM
 - * Clamp Ring: Black, Nylon
 - * Sealing Nut: Black, Nylon
 - * Seal: Black, EPDM
 - * Seal For Cable OD: \varnothing 4.5mm~ \varnothing 6.5mm

UNIT: mm		TITLE M12 Conn Assy Screw 5Pin M Conn M Pin			Amphenol LTW 安費諾亮泰企業股份有限公司	ITEM NO 12-05BMMA-SL8001	DRAWN BY Rita	DATE 2014-08-11
		SCALE 3:2	SIZE A4	SHEET 1 OF 1		DWG NO 12-05BMMA-SL8001	CHECKED BY Kris	DATE 2014-08-11
		REV. B	WC-REV. A.3	\varnothing : Inspection item		CUSTOMER ALTW	APPROVED BY Wenmao	DATE 2014-08-11

THIS DOCUMENT IS SUBJECT TO CHANGE WITHOUT NOTICE. IT IS CONFIDENTIAL AND A PROPERTY OF Amphenol LTW. DISCLOSURE TO THIRD PARTY HAS TO BE AUTHORIZED BY Amphenol LTW.