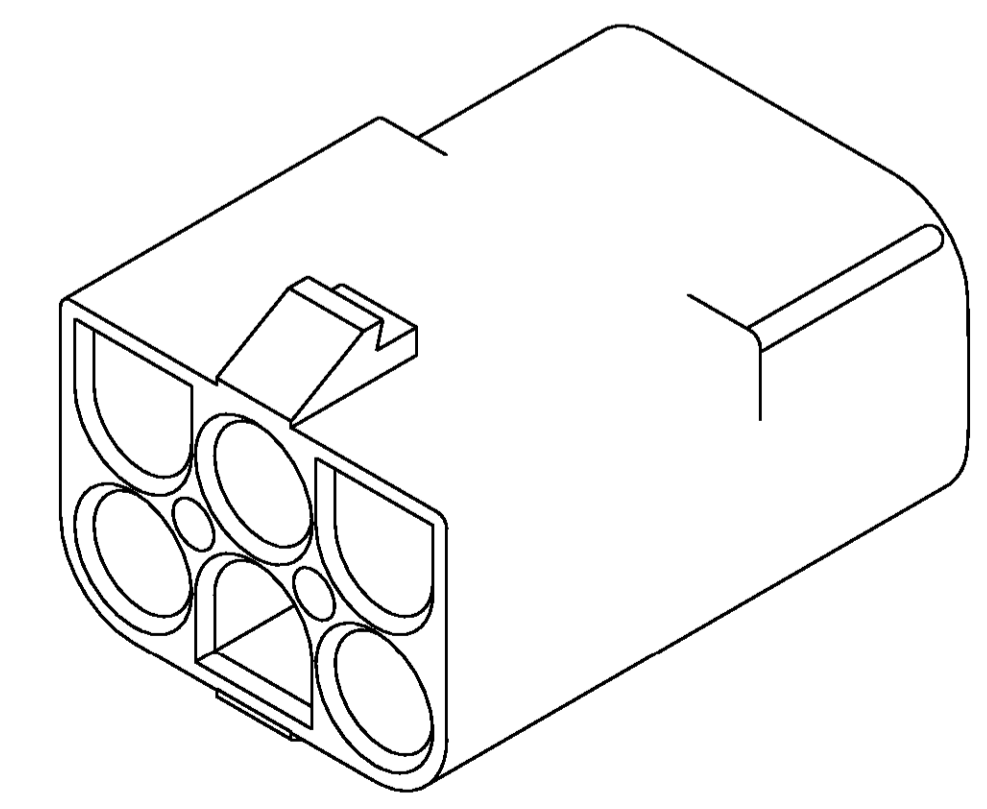
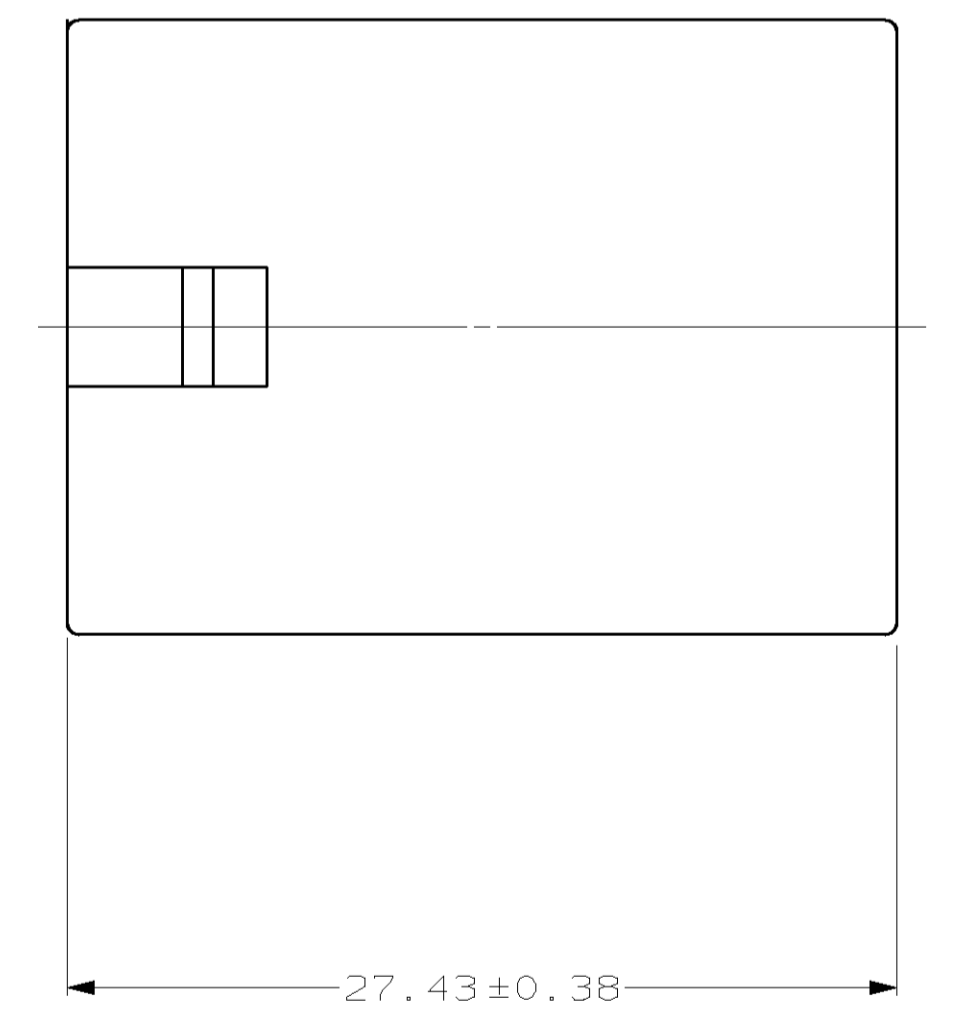
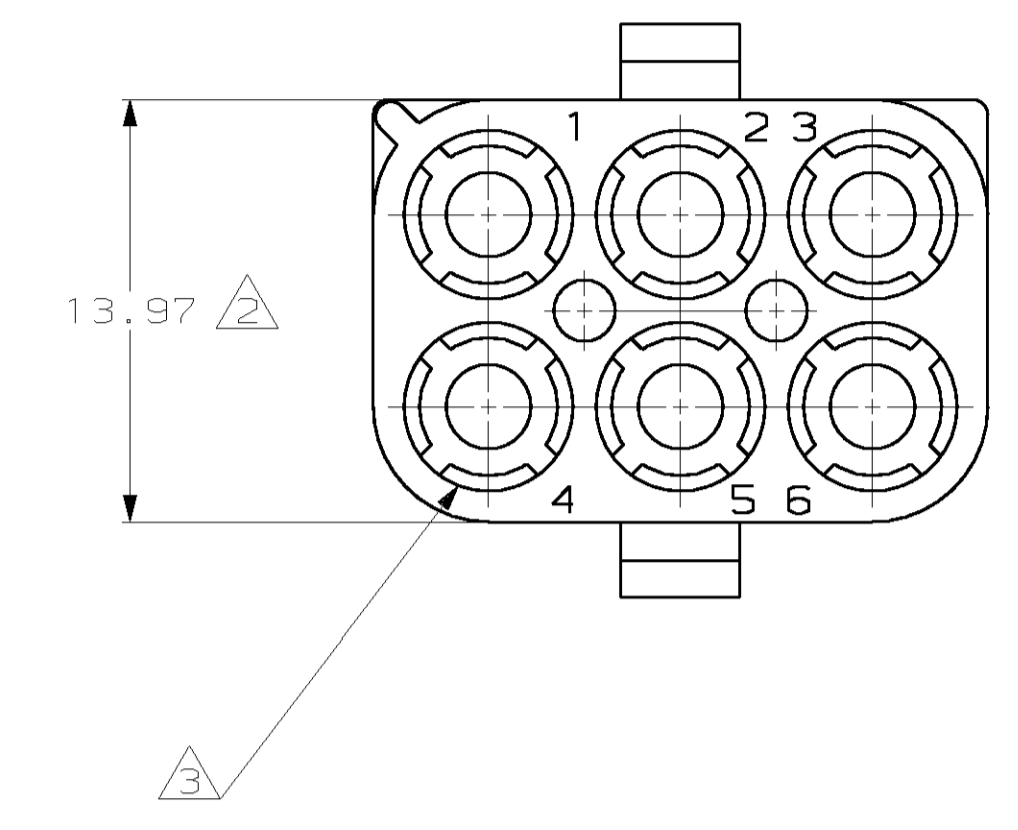
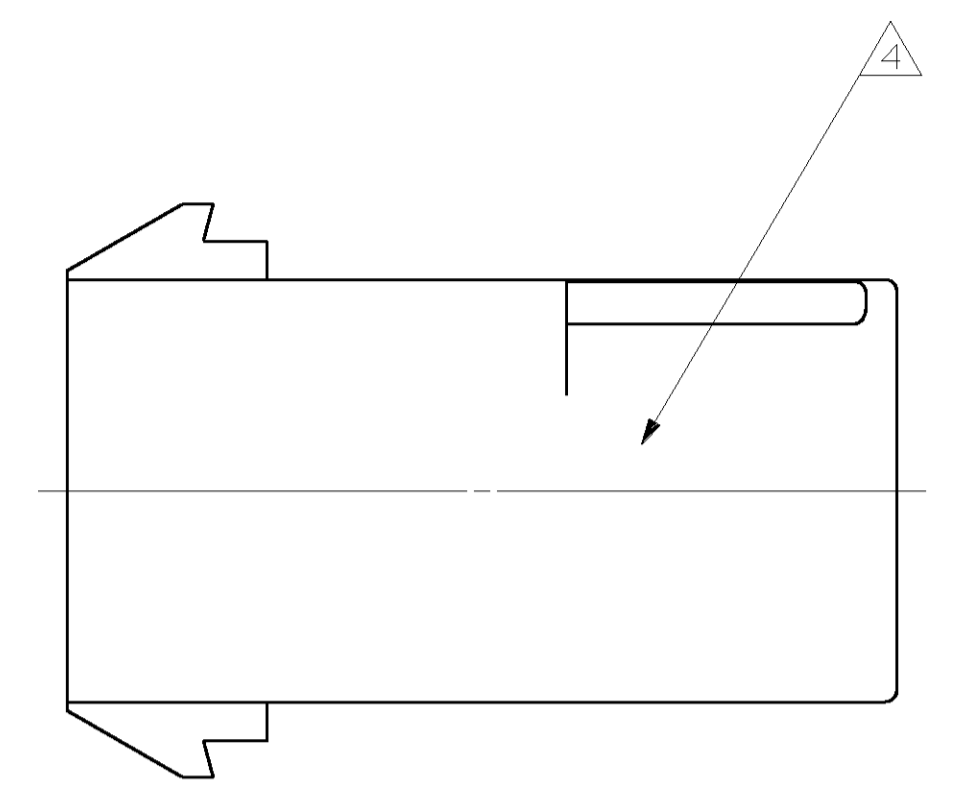
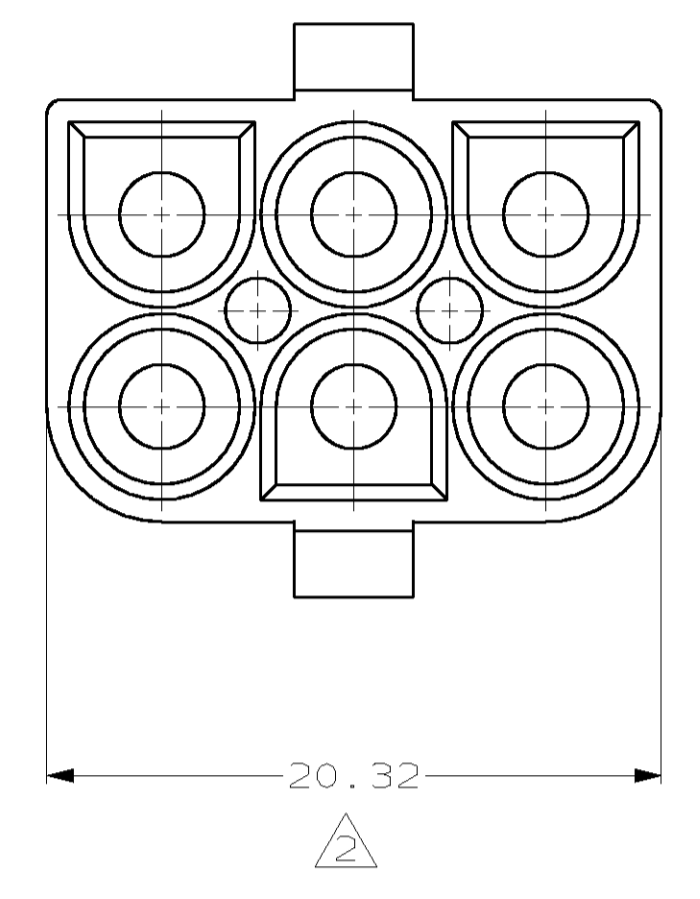


LOC		DIST		REVISIONS			
CM	00	YR	DATE	BY	APVD		
		0	RELEASED PER EC 0638-0389-00	09-AUG-00	KW	KC	

1. MATES WITH APPROPRIATE UNIVERSAL MATE-N-LOK™ PLUG.
2. DIMENSION INDICATED IS AS MOLDED. ADDITIONAL GROWTH DUE TO SUBSEQUENT MOISTURE ABSORPTION MAY OCCUR.
3. FOUR RIBS EQUALLY SPACED, NO SPECIFIC ORIENTATION.
4. UNDERWRITER RECOGNIZED COMPONENT LOGO AND CSA CERTIFICATION LOGO TO BE LOCATED ONCE EACH ON SIDE OF HOUSING.



3-DIMENSIONAL MODEL
NTS

MM	IN
27.43	1.080
20.32	.800
13.97	.550
8.13	.320
0.38	.015
0.25	.010
0.13	.005
MM	IN

CONVERSION TABLE

794757-1
PART NUMBER



THIS DRAWING IS A CONTROLLED DOCUMENT.		DWN K. WHITAKER 13-MAR-2000	AMP Incorporated Harrisburg, PA 17105-3608
DIMENSIONS:		CHK M. TRULL 13-MAR-2000	
TOLERANCES UNLESS OTHERWISE SPECIFIED:		APP'D M. TRULL 13-MAR-2000	NAME
0 PLC ±. 1 PLC ±. 2 PLC ±0.13 3 PLC ±. 4 PLC ±. RIBS ±. FINISH - 40°/30°		PRODUCT SPEC	CAP, 6 CIRCUIT, UNIVERSAL MATE-N-LOK™
MATERIAL NYLON, UL 94V-2		APPLICATION SPEC	SIZE CAGE CODE DRAWING NO
		WEIGHT -	A1 00779 C- 794757
		CUSTOMER DRAWING	RESTRICTED TO
		SCALE 4:1	SHEET 1 OF 1 REV 0