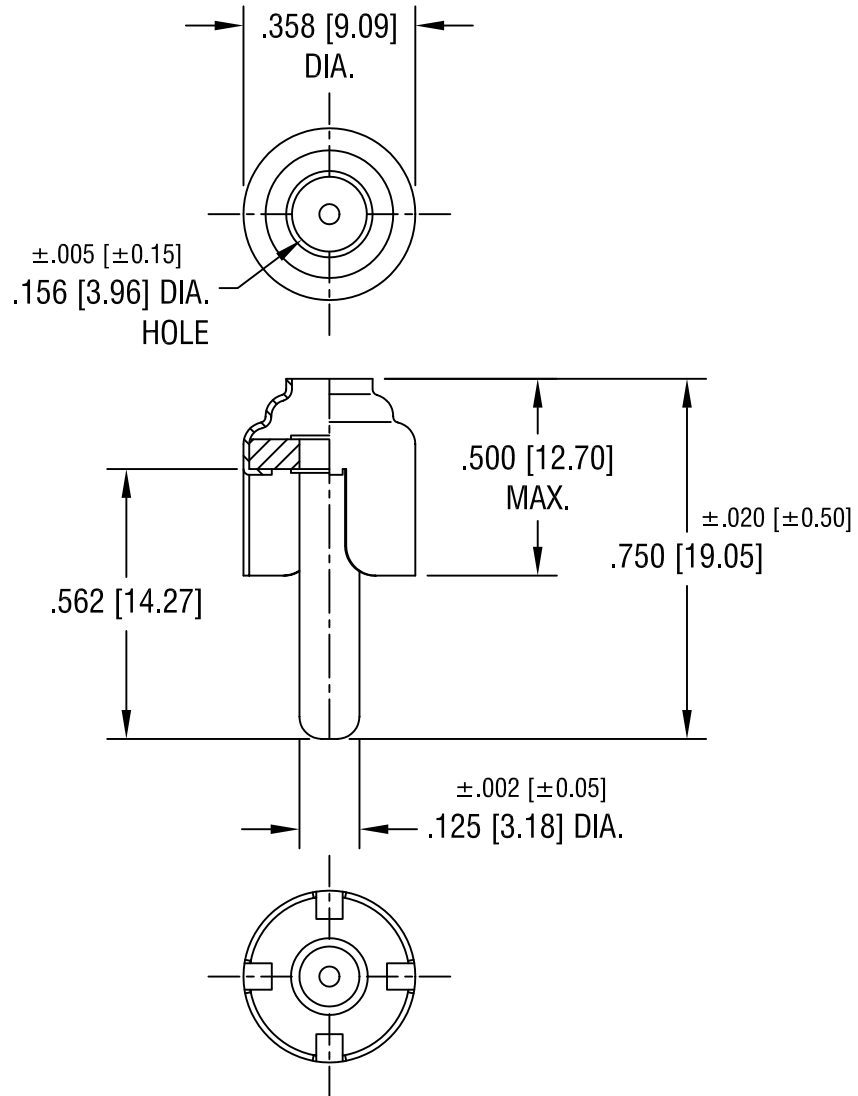


THIS DOCUMENT IS THE PROPERTY OF
KEYSTONE ELECTRONICS CORP. AND
SHALL NOT BE REPRODUCED, DISTRIBUTED
OR USED AS A BASIS FOR MANUFACTURE
WITHOUT PRIOR WRITTEN PERMISSION
FROM KEYSTONE ELECTRONICS CORP.



KEYSTONE ELECTRONICS CORP.

ASTORIA, N.Y. 11105-2017

PART NAME

PHONO PLUG

MATERIAL

BRASS

FINISH

NICKEL PLATE

DRN BY

BOONE

DATE

2.17.82

APPD

LN

SCALE

2.5X

9.14.99 CHANGE AS PER ECN 99-066

A

TOLERANCES

INCH [MM]

CODE

DWG NO.

DECIMAL $\pm .010 [\pm 0.25]$

C/M

ANGULAR $\pm 1^\circ$
UNLESS OTHERWISE SPECIFIED

561

DATE

DESCRIPTION

REV.