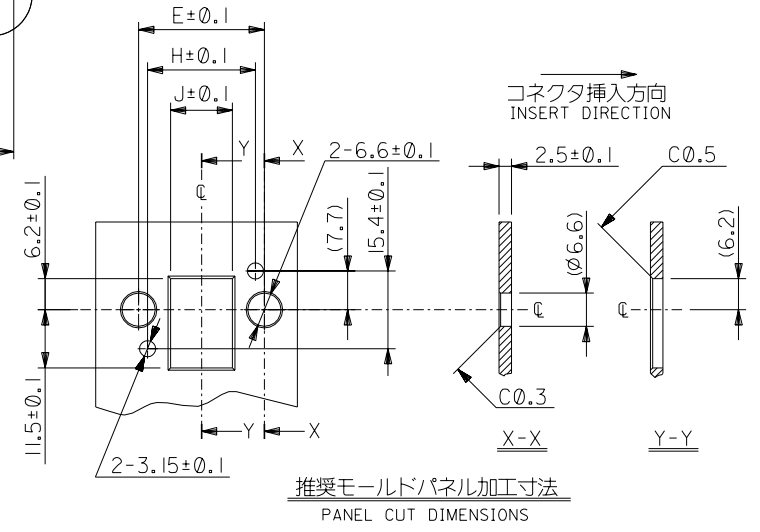
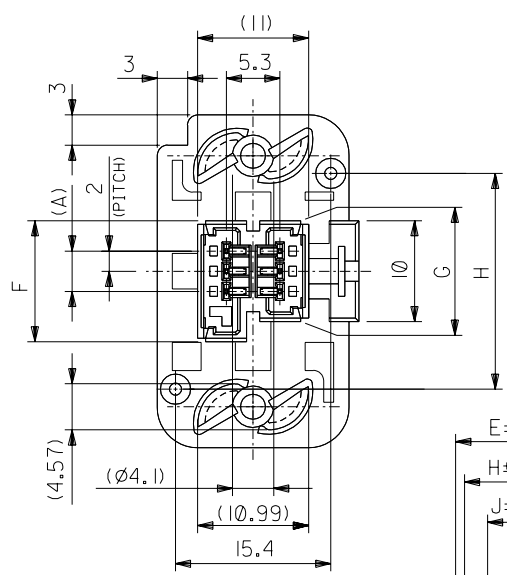
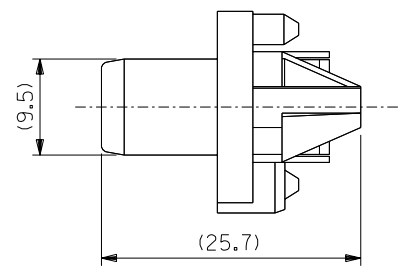
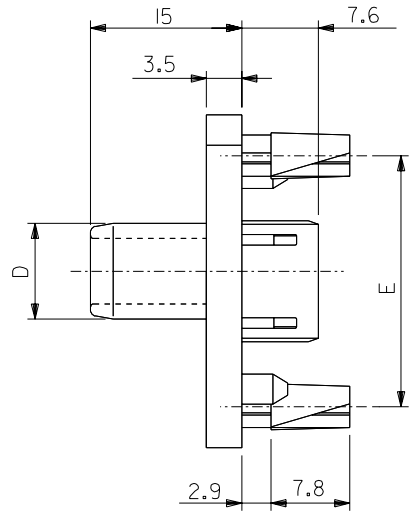
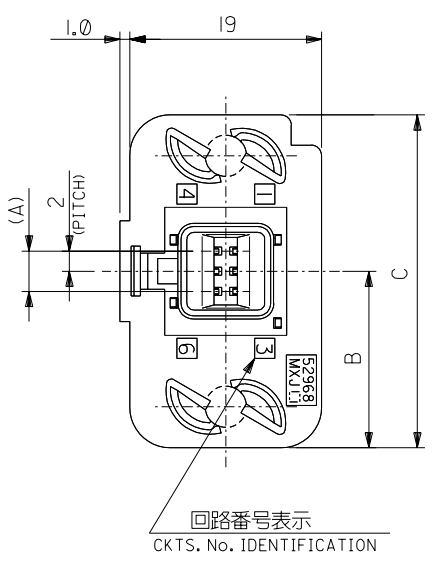


DWG. NO.  
SD-52968-008



- 注)  
NOTES:
- 材質  
MATERIAL  
ハウジング: ポリカーボネート, UL94V-0 黒  
HOUSING: POLYCARBONATE, UL94V-0, BLACK  
ターミナル: リン青銅  
TERMINAL: PHOSPHOR BRONZE
  - ターミナルメッキ仕様  
TERMINAL PLATING  
金メッキ:  $\geq 0.25\mu\text{m}$  MIN. (接点部)  
GOLD:  $\geq 0.25\mu\text{m}$  MIN. (CONTACT AREA)  
錫メッキ:  $1\mu\text{m}$  MIN. (リセプタクル嵌合部)  
TIN-LEAD:  $1\mu\text{m}$  MIN. (RECEPTACLE CONNECTED AREA)  
ニッケルメッキ:  $1\mu\text{m}$  MIN. (下地メッキ)  
NICKEL:  $1\mu\text{m}$  MIN. (UNDER PLATING)
  - 適リセプタクル: 52484-\*\*10, 51090-\*\*00  
APPLICABLE RECEPTACLE: 52484-\*\*10, 51090-\*\*00
  - 嵌合相手: 53717-\*\*19  
MATES WITH: 53717-\*\*19
  - 本製品は 52968-\*\*11 の鉛フリー品である。  
THIS PRODUCT IS LEAD FREE OF 52968-\*\*11.

12.3	21.4	10	12	24.9	9.5	33	17.5	4	52968-0619	52968-**19	6
J	H	G	F	E	D	C	B	(A)	MATERIAL NO.	MODEL NO.	CKT.

DO NOT SCALE DRAWING

64 NO. DRWN: CH'K: APPR:	63 NO. DRWN: CH'K: APPR:	62 NO. DRWN: CH'K: APPR:	61 NO. DRWN: CH'K: APPR:	60 NO. J2004-2419 DRWN: M. NINOMIYA CHK: K. TOJO APPR: M. SASAO
RELEASED '04/02/13 0				

MATERIAL 材料	SEE NOTE
FINISH 仕上げ	SEE NOTE
WIRE RANGE 適用電線範囲	—
INS. RANGE 被覆外径	—

GENERAL TOLERANCES: (UNLESS SPECIFIED) 一般公差	SCALE 2-1	DESIGN UNITS <input checked="" type="checkbox"/> mm <input type="checkbox"/> INCH
10 UNDER 未満	±0.2	DRAWN BY & DATE M. NINOMIYA '04/02/13 CHECKED BY & DATE K. TOJO '04/02/13 APPROVED BY & DATE M. SASAO '04/02/13
10 OVER 30 UNDER 以上 未満	±0.25	
30 OVER 以上	±0.3	
ANGLE 角度	±3°	

<input checked="" type="checkbox"/> THIRD ANGLE PROJECTION	DIMENSIONS: <input type="checkbox"/> mm <input type="checkbox"/> INCH <input checked="" type="checkbox"/> mm ONLY		SHT REV
TITLE: 2mm PITCH FLOATING CONN. REC. HS'G ASS'Y -LEAD FREE-		MOLEX INCORPORATED	
CAD FILENAME SD-52968-008.S01	MATERIAL NO. SEE CHART	DRAWING NO. SD-52968-008	SHEET NO. 1 OF 1
THIS DRAWING CONTAINS INFORMATION THAT IS PROPRIETARY TO MOLEX INCORPORATED AND SHOULD NOT BE USED WITHOUT WRITTEN PERMISSION.			SIZE B