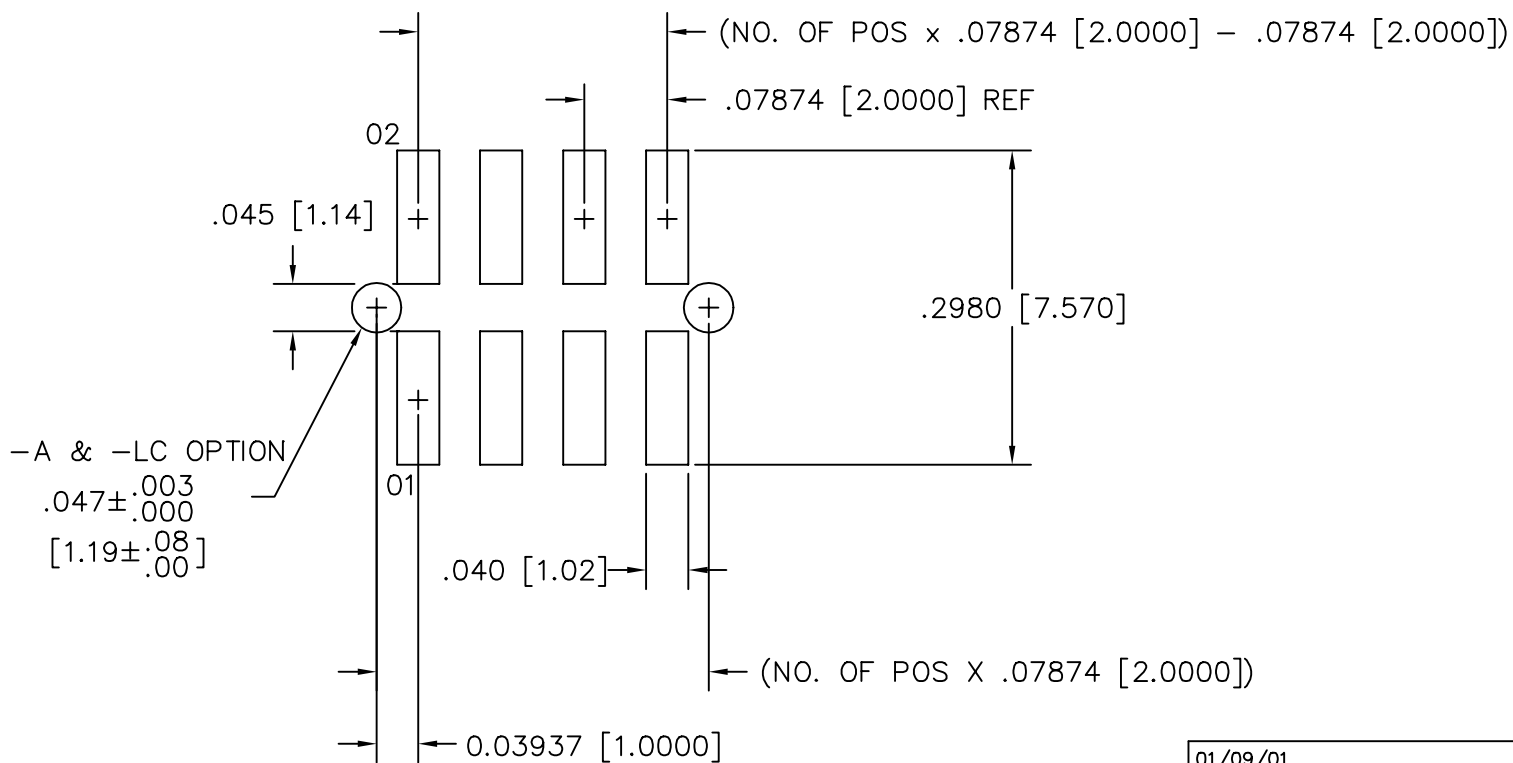


RECOMMENDED P.C. BOARD LAYOUT FOR TSH-1XX-XX-X-DX-XX FOR PROCESSING

REV. A



01/09/01

MISC\MKTG\FOOTPRNT
TSH-1XX-XX-X-DX-XX

samtec

520 PARK EAST BLVD. NEW ALBANY, INDIANA 47150
PHONE (812) 944-6733 P.O. BOX 1147

PLOT SCALE: 1 = .1