

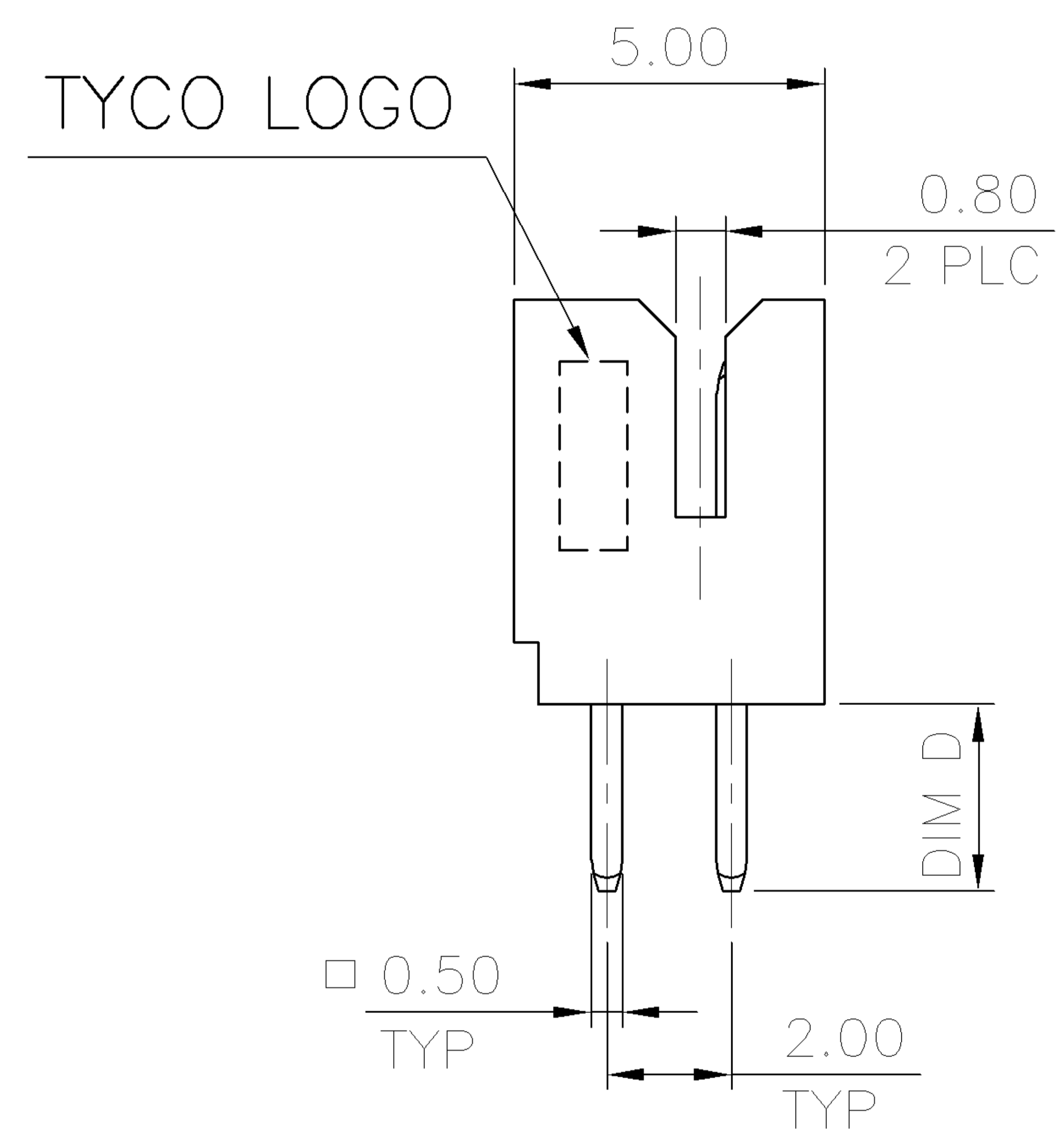
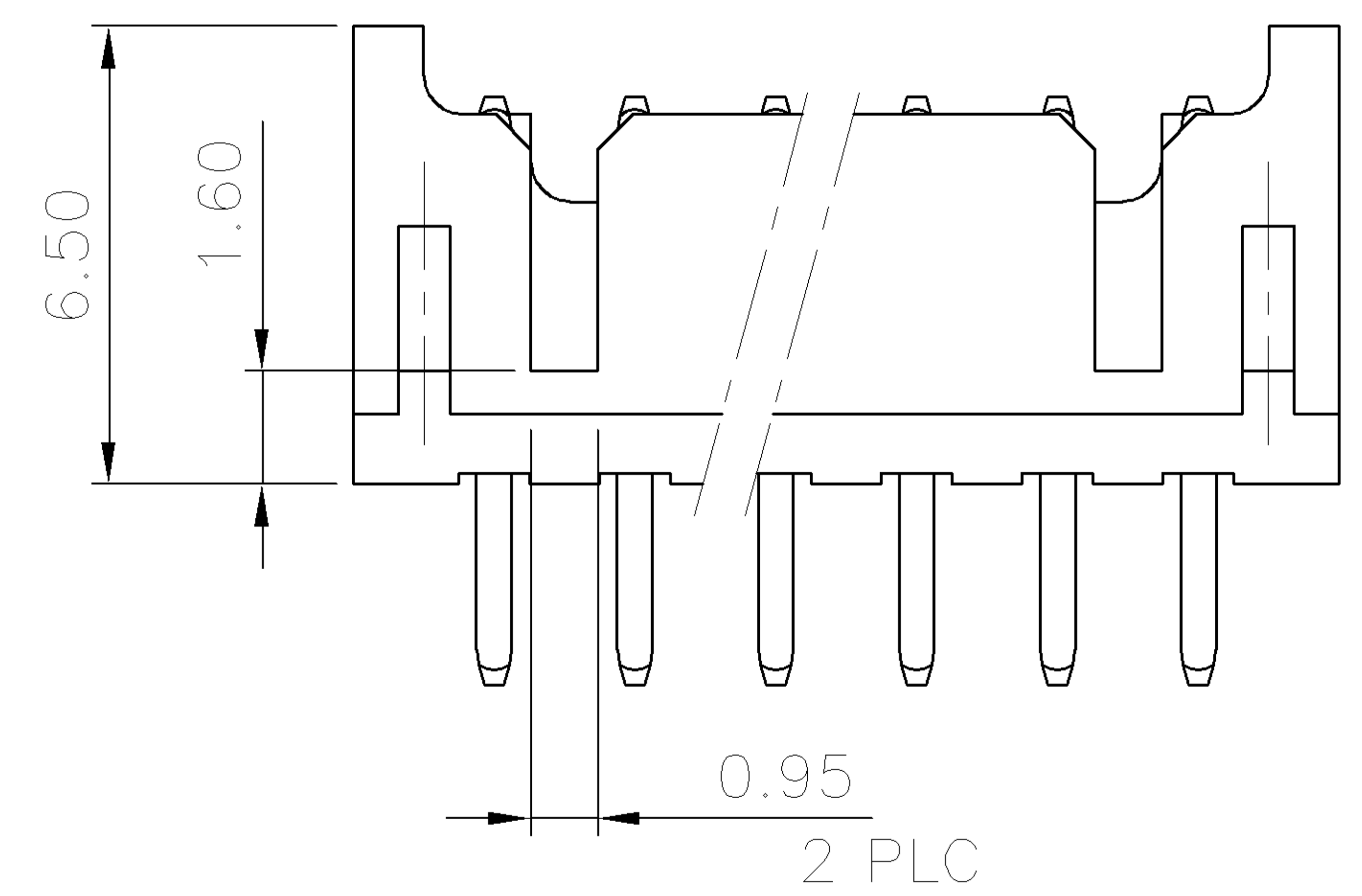
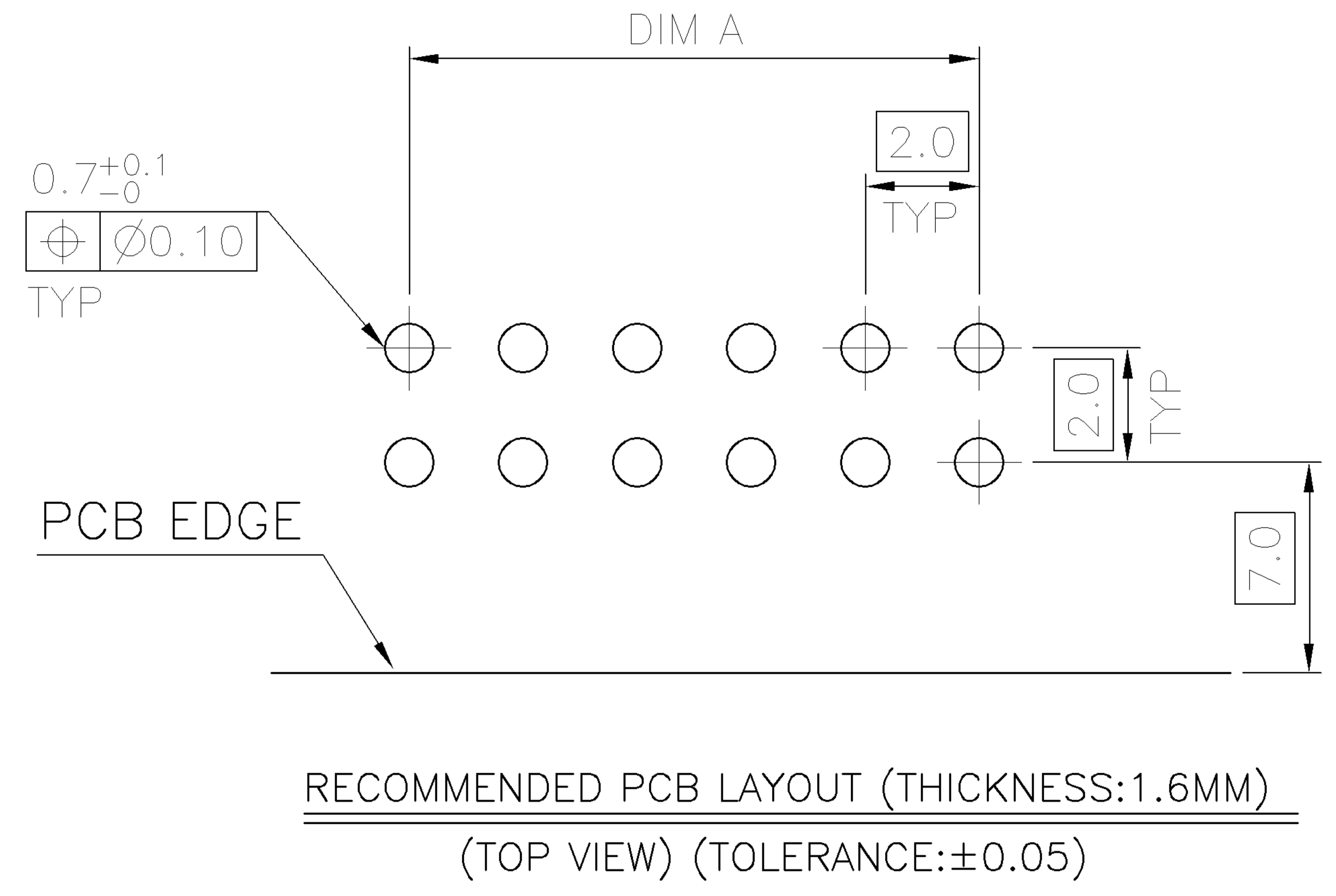
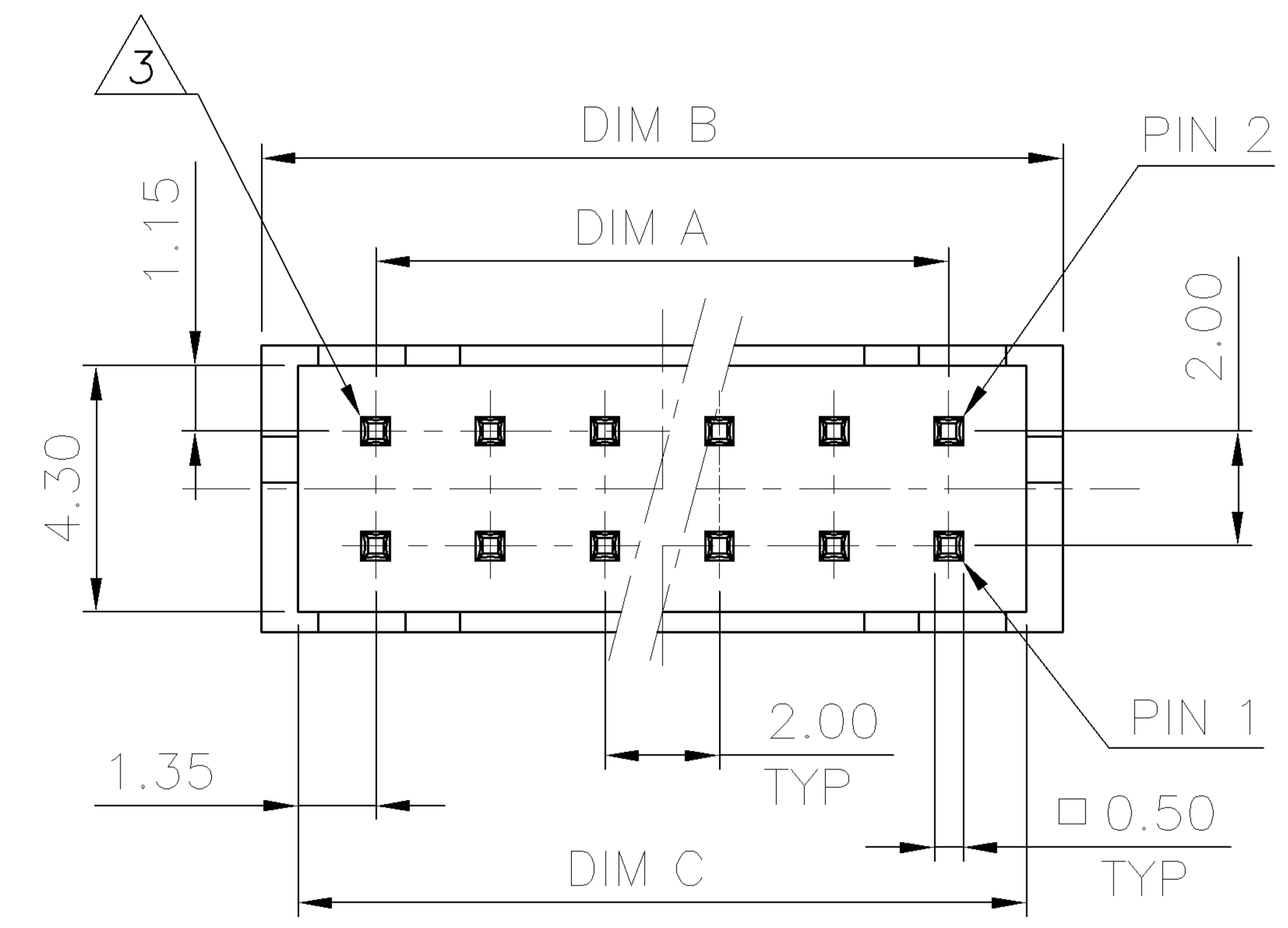
NUMBER C-1734493

3RD ANGLE PROJECTION

METRIC

DIMENSIONS IN MILLIMETERS. DO NOT SCALE PRINT.

PRINT DIST DW



- NOTE:
- MATERIAL:
HOUSING: NYLON66 UL94V-0, NATURAL COLOR.
CONTACT: BRASS, THICKNESS=0.20MM.
 - FINISH:
CONTACT: 100u" MIN. BRIGHT TIN PLATED ON CONTACT AREA,
30u" MIN. NICKEL UNDERPLATED OVER ALL.
 - NO PIN AT THIS POSITION.
 - WAVE SOLDER CAPABLE TO 240°C PER TE CONNECTIVITY TEST SPEC. 109-201, CONDITION A.

E1	REVISED PER ECO-11-005301	RK HMR	07APR11
LTR	REVISION RECORD	ECO	DATE

DIM D	3 OMITTED PIN	DIM C	DIM B	DIM A	POS.	PART NUMBER
3.00	PIN 3 & 4	6.74	8.0	4.0	6	9-1470109-6
2.40		30.74	32.0	28.0	30	8-1470109-0
2.40	PIN 32	32.74	34.0	30.0	32	7-1470109-2
	PIN 30	30.74	32.0	28.0	30	7-1470109-0
	PIN 28	28.74	30.0	26.0	28	6-1470109-8
	PIN 26	26.74	28.0	24.0	26	6-1470109-6
	PIN 24	24.74	26.0	22.0	24	6-1470109-4
	PIN 22	22.74	24.0	20.0	22	6-1470109-2
	PIN 20	20.74	22.0	18.0	20	6-1470109-0
	PIN 18	18.74	20.0	16.0	18	5-1470109-8
	PIN 16	16.74	18.0	14.0	16	5-1470109-6
	PIN 14	14.74	16.0	12.0	14	5-1470109-4
	PIN 12	12.74	14.0	10.0	12	5-1470109-2
	PIN 10	10.74	12.0	8.0	10	5-1470109-0
PIN 8	8.74	10.0	6.0	8	4-1470109-8	
PIN 6	6.74	8.0	4.0	6	4-1470109-6	
3.00		32.74	34.0	30.0	32	3-1470109-2
		30.74	32.0	28.0	30	3-1470109-0
		28.74	30.0	26.0	28	2-1470109-8
		26.74	28.0	24.0	26	2-1470109-6
		24.74	26.0	22.0	24	2-1470109-4
		22.74	24.0	20.0	22	2-1470109-2
		20.74	22.0	18.0	20	2-1470109-0
		18.74	20.0	16.0	18	1-1470109-8
		16.74	18.0	14.0	16	1-1470109-6
		14.74	16.0	12.0	14	1-1470109-4
		12.74	14.0	10.0	12	1-1470109-2
		10.74	12.0	8.0	10	1-1470109-0
	8.74	10.0	6.0	8	1470109-8	
	6.74	8.0	4.0	6	1470109-6	

TOLERANCES UNLESS OTHERWISE SPECIFIED: 0 PLC ± 1 PLC ±0.30 2 PLC ±0.20 3 PLC ±0.10 ANGLES ±3'	DWN O. HU 27-JUN-2007	TE Connectivity NAME 2.0MM PITCH HEADER, DIP, VERTICAL TYPE
	CHK S. HOU 27-JUN-2007	
MATERIAL SEE NOTE	APVD W.J. KE 27-JUN-2007	LOC SIZE DRAWING NO REV DW A ₃ C-1470109 E1 SCALE SHEET -- 1 OF 2
FINISH SEE NOTE	PRODUCT SPEC 108-57217 QUALIFICATION TEST REPORT 501-57218 WEIGHT	

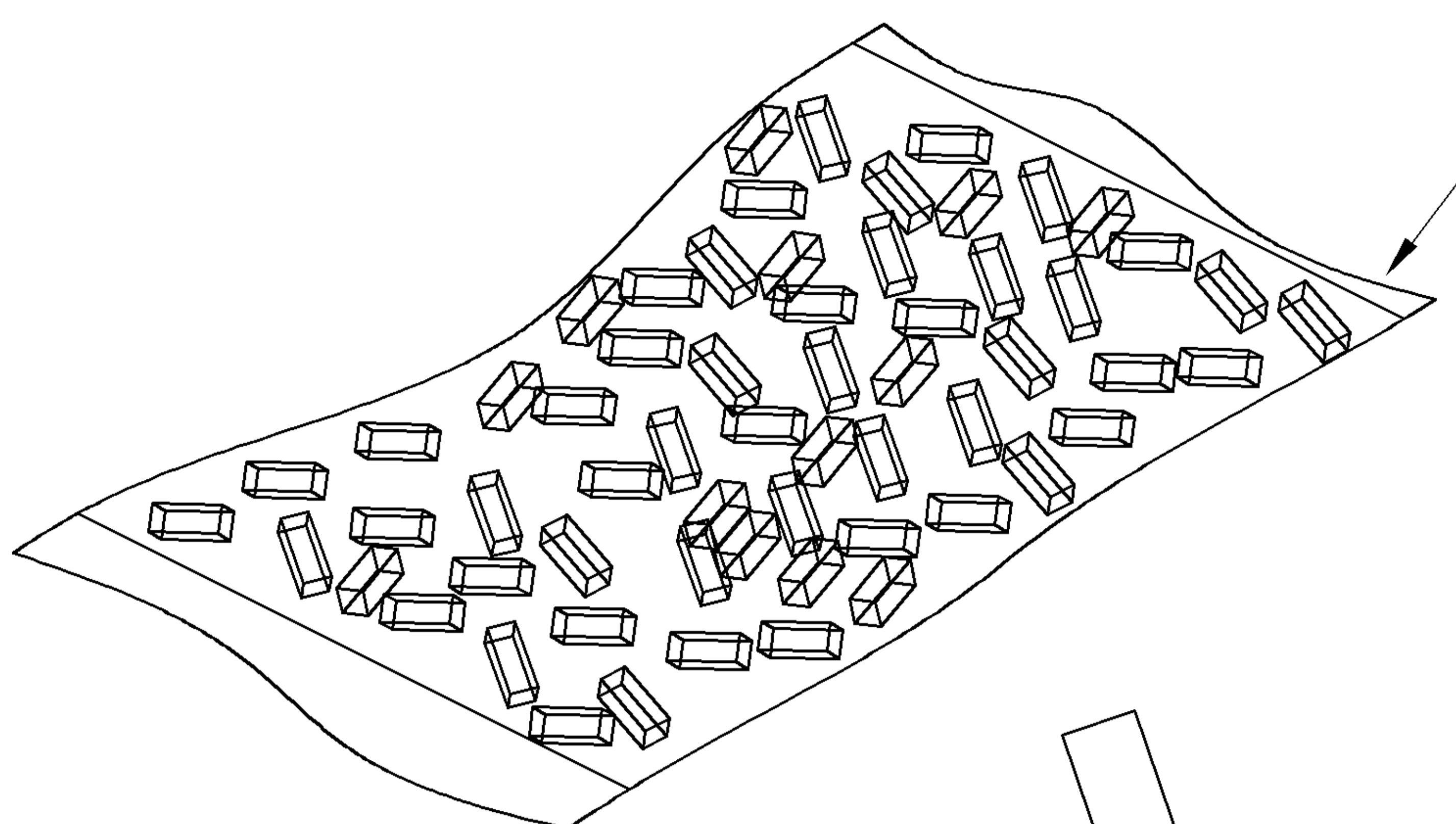
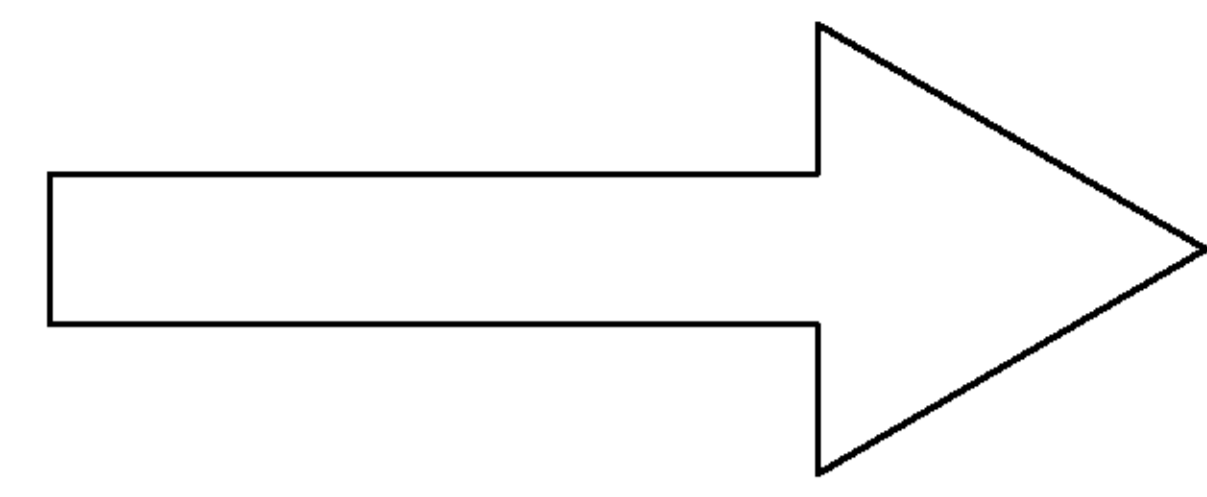
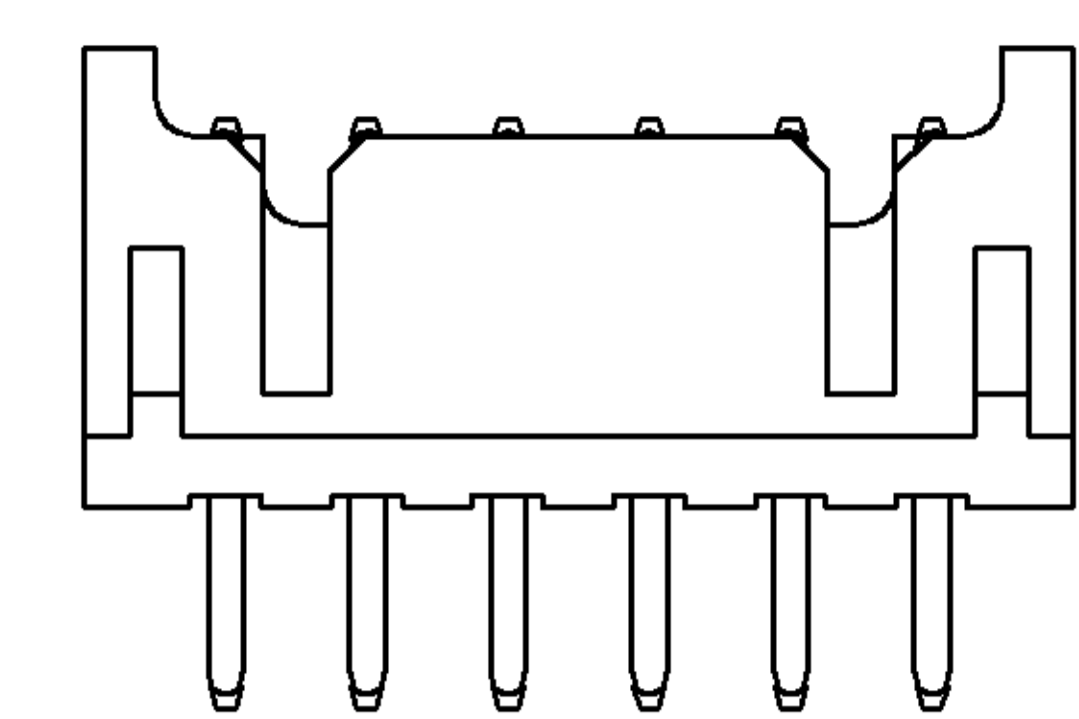
NUMBER

3RD ANGLE PROJECTION

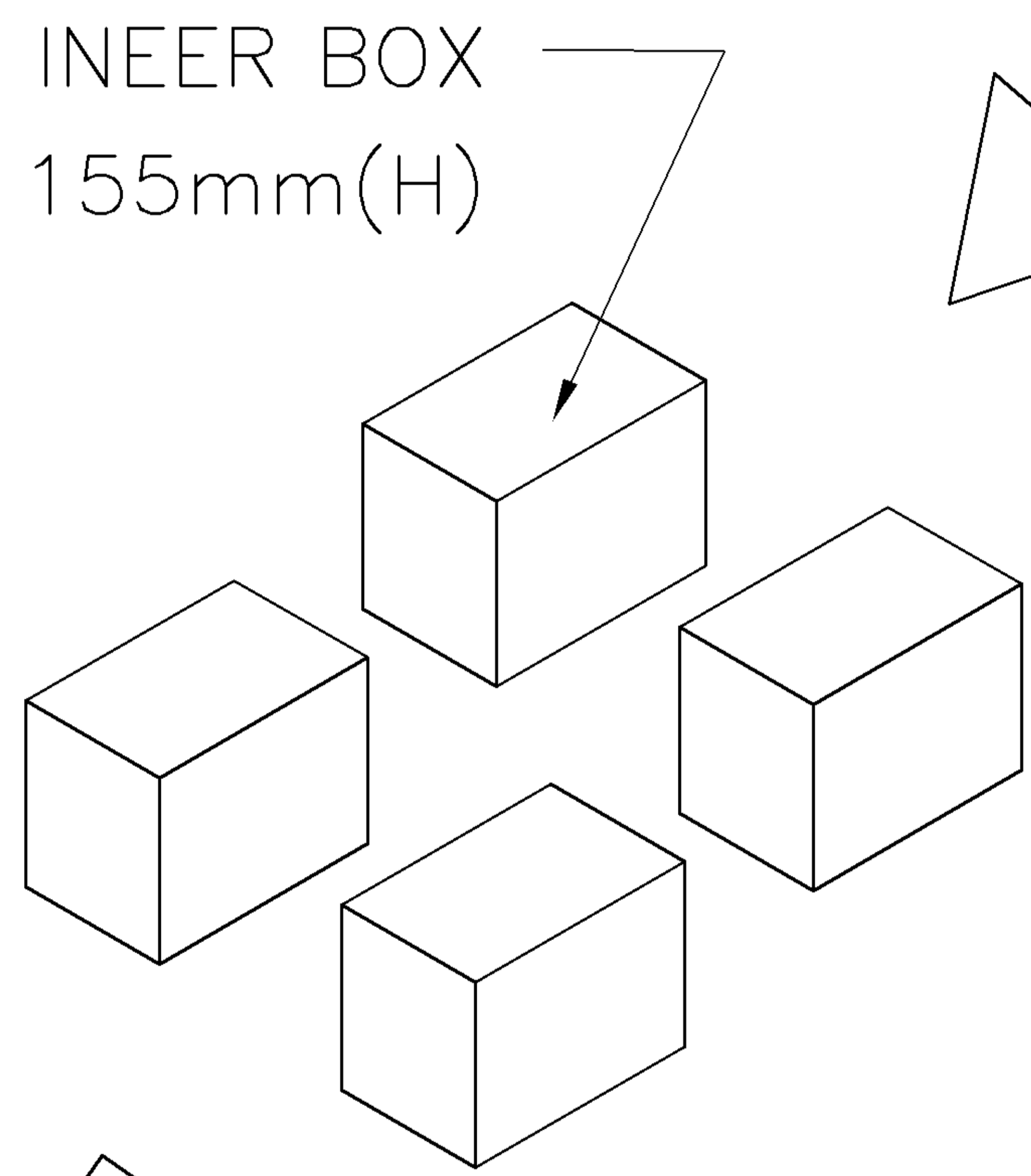
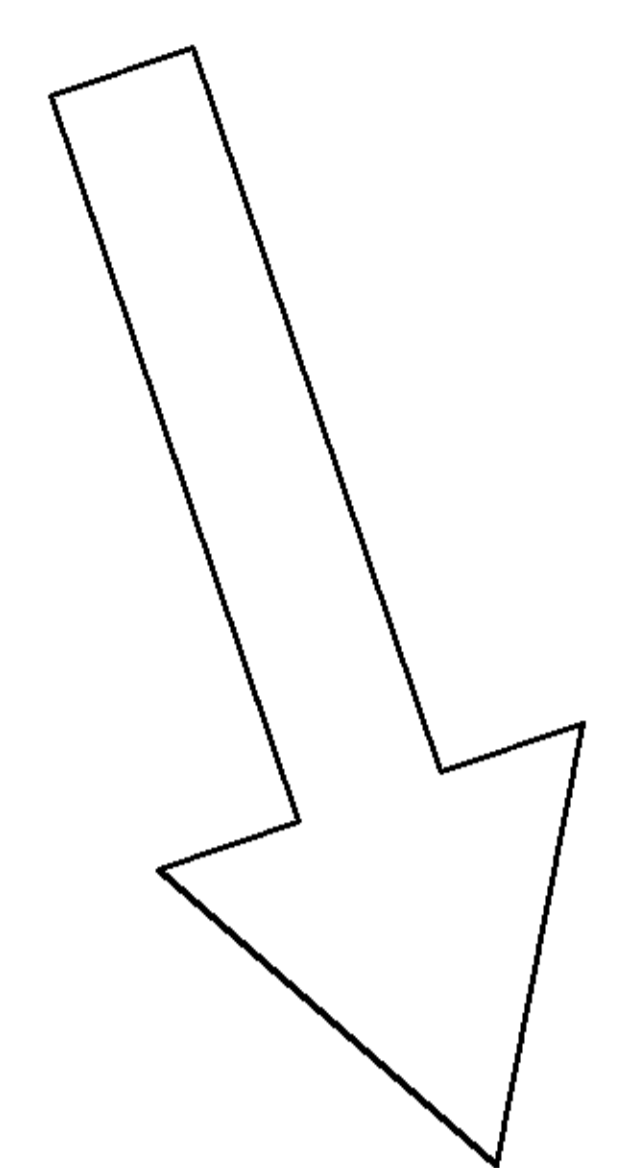
METRIC

DIMENSIONS IN MILLIMETERS. DO NOT SCALE PRINT.

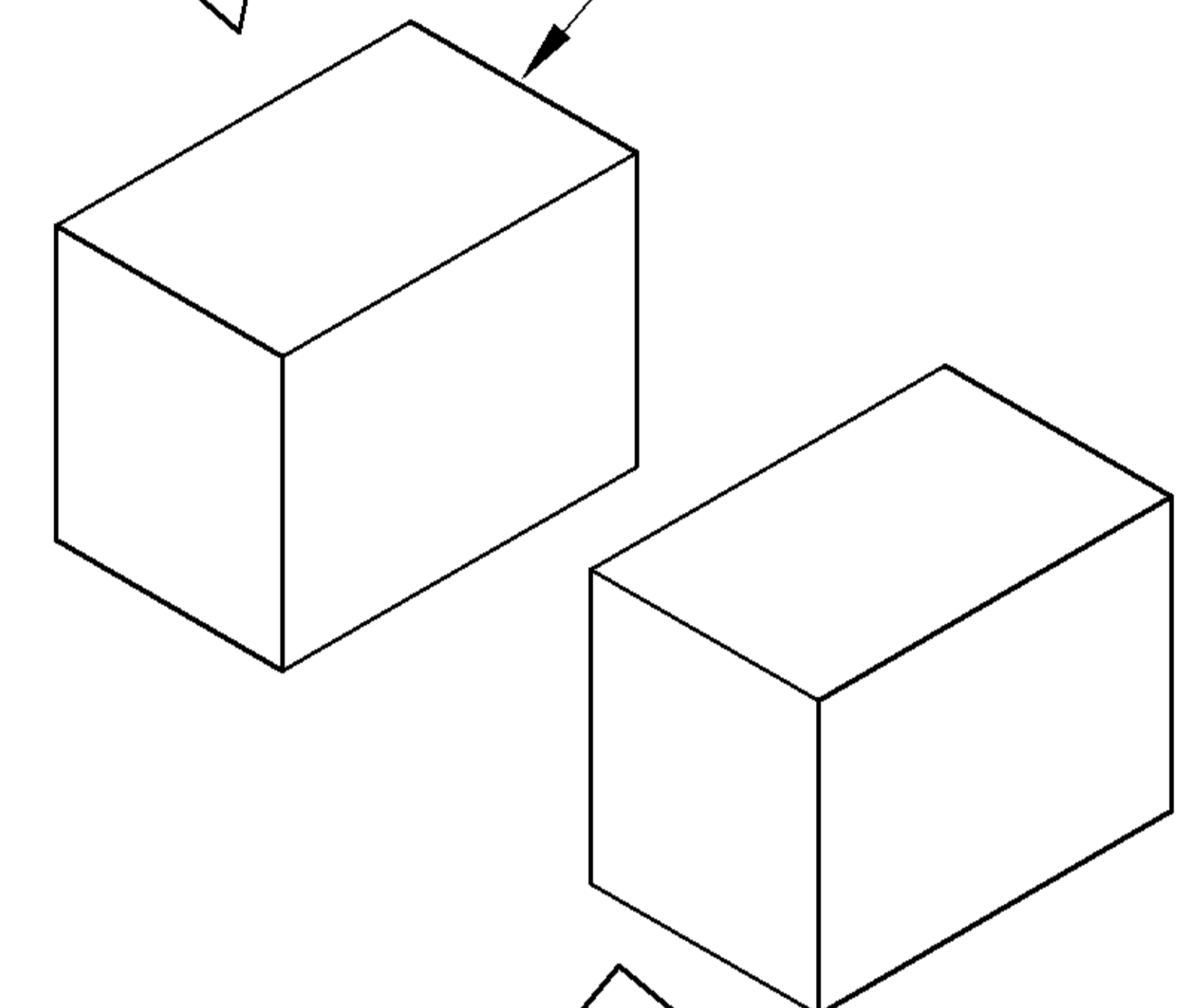
PRINT DIST DW



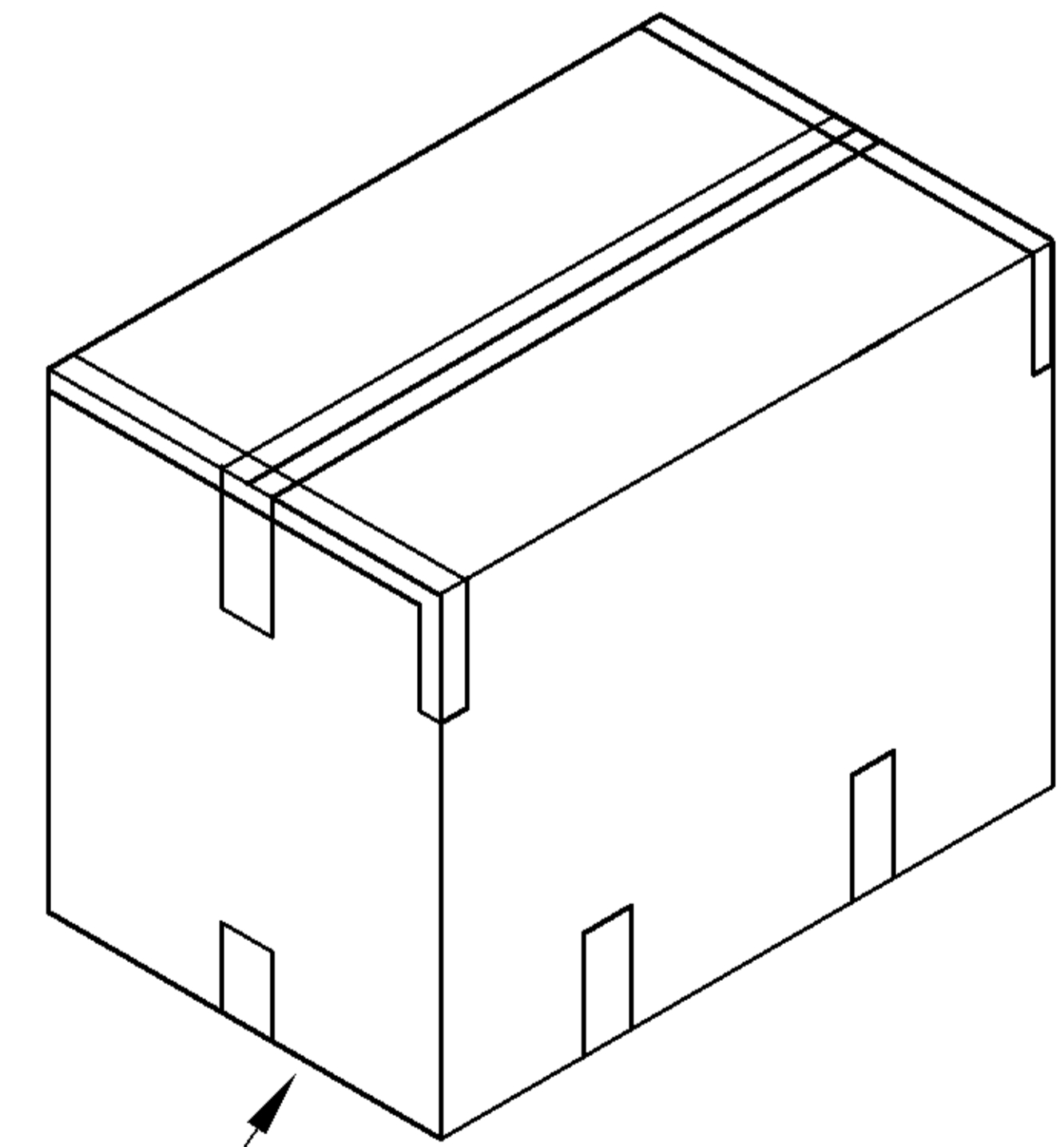
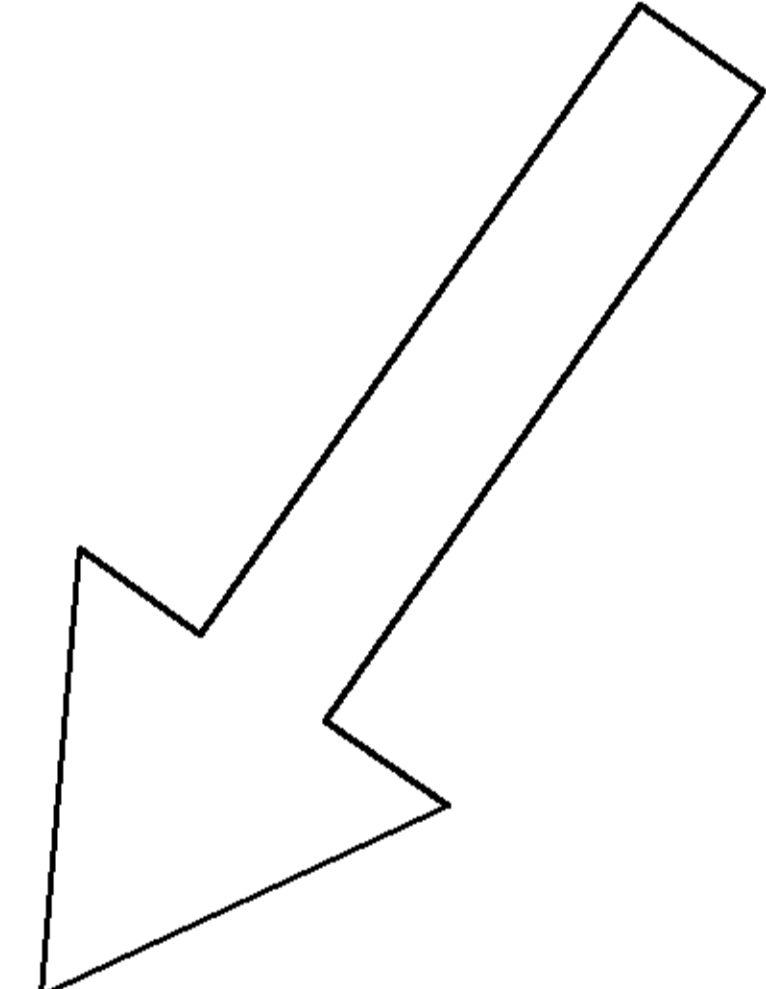
POLY BAG
127mm(L)X 203mm(W)X 0.07mm(H)



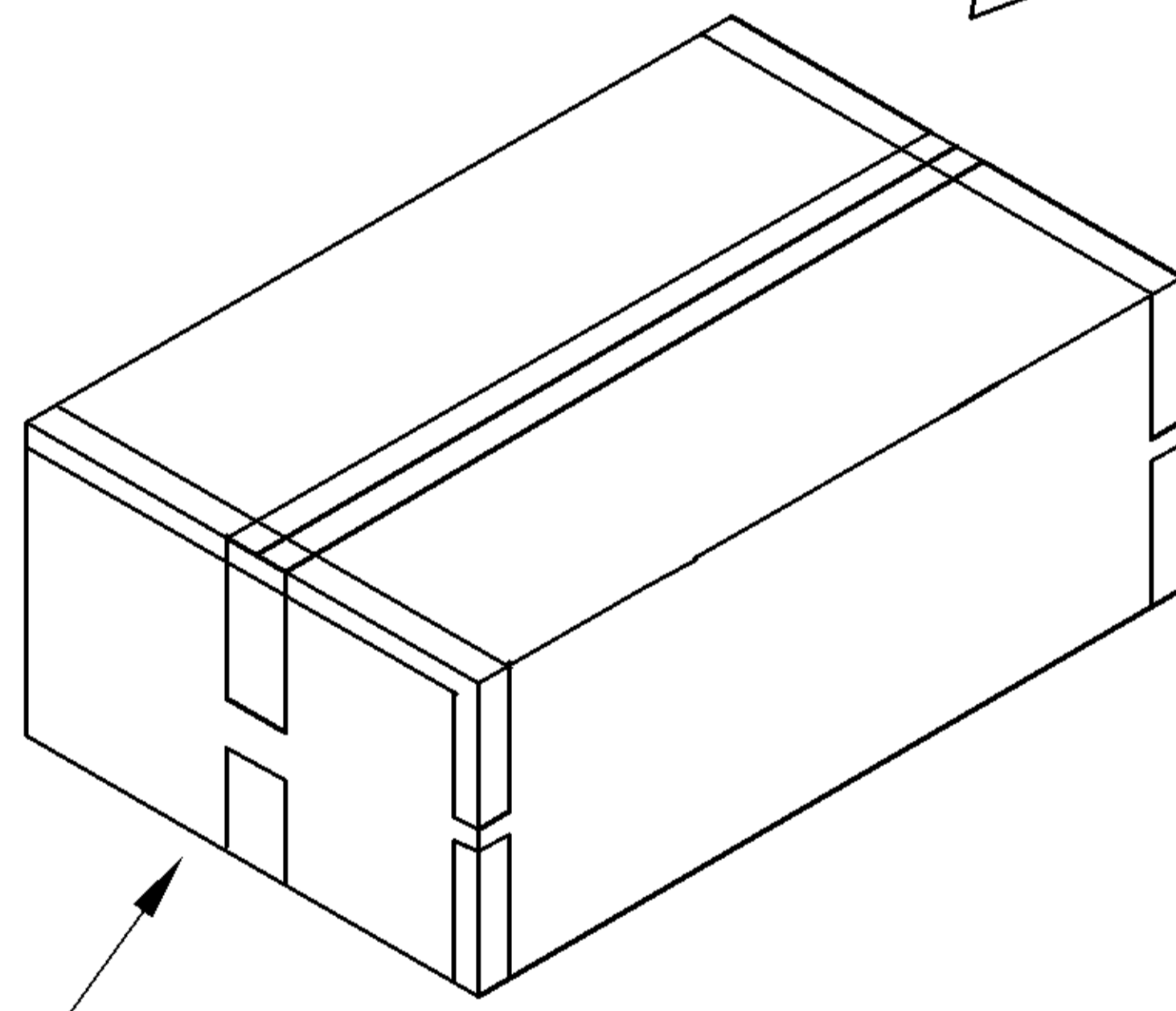
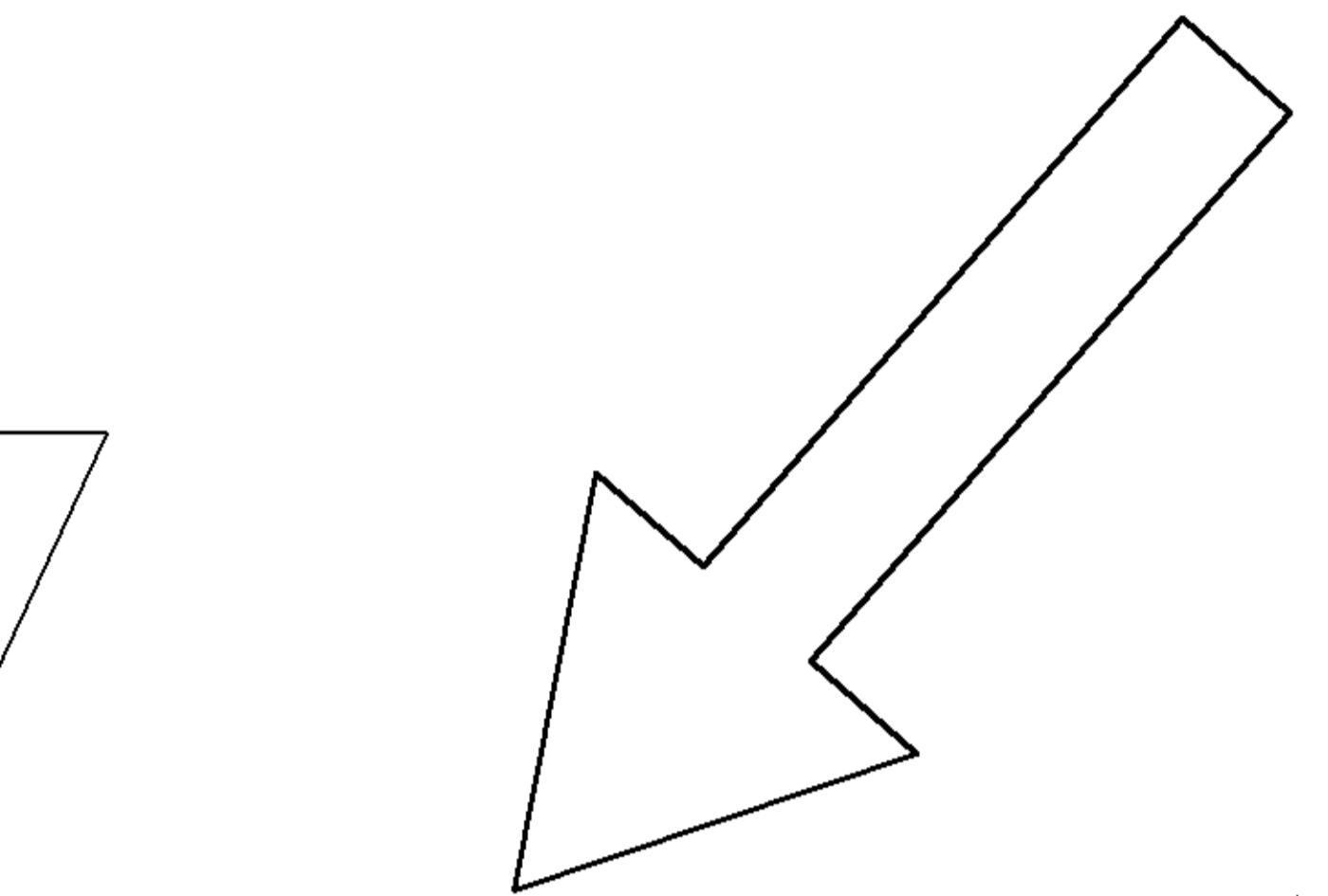
INEER BOX
320mm(L)X 220mm(W)X 155mm(H)



INEER BOX
320mm(L)X 220mm(W)X 155mm(H)



CARTON
340mm(L)X 470mm(W)X 365mm(H)
(FOR HEADER 12P~32P ONLY)



CARTON
340mm(L)X 470mm(W)X 178mm(H)
(FOR HEADER 6P~10P ONLY)

23,400	650		9-1470109-6
10,240	160		8-1470109-0
10,240	160	7-1470109-2	3-1470109-2
10,240	160	7-1470109-0	3-1470109-0
10,240	160	6-1470109-8	2-1470109-8
14,400	200	6-1470109-6	2-1470109-6
14,400	200	6-1470109-4	2-1470109-4
14,400	200	6-1470109-2	2-1470109-2
16,000	250	6-1470109-0	2-1470109-0
19,200	300	5-1470109-8	1-1470109-8
19,200	300	5-1470109-6	1-1470109-6
22,400	350	5-1470109-4	1-1470109-4
25,600	400	5-1470109-2	1-1470109-2
14,400	450	5-1470109-0	1-1470109-0
17,600	550	4-1470109-8	1470109-8
23,400	650	4-1470109-6	1470109-6

APQ (PCS/CARTON)	PPQ (PCS/BAG)	PART NUMBER
---------------------	------------------	-------------

TOLERANCES UNLESS OTHERWISE SPECIFIED: 0 PLC ± 1 PLC ± 2 PLC ± 3 PLC ± ANGLES ±'	DWN	O. HU	TE Connectivity NAME 2.0MM PITCH HEADER, DIP, VERTICAL TYPE			
		27-JUN-2007				
MATERIAL SEE NOTE	CHK	S. HOU	LOC	SIZE	DRAWING NO	REV
		27-JUN-2007	DW	A ₃	C-1470109	E1
FINISH SEE NOTE	QUALIFICATION TEST REPORT		SCALE		SHEET	
	WEIGHT		--		2 OF 2	

LTR	REVISION RECORD	SEE SHEET 1.	ECO	DWN	CHK	DATE
-----	-----------------	--------------	-----	-----	-----	------

8 | 7 | 6 | 5 | 4 | 3 | 2 | 1

CUSTOMER DRAWING