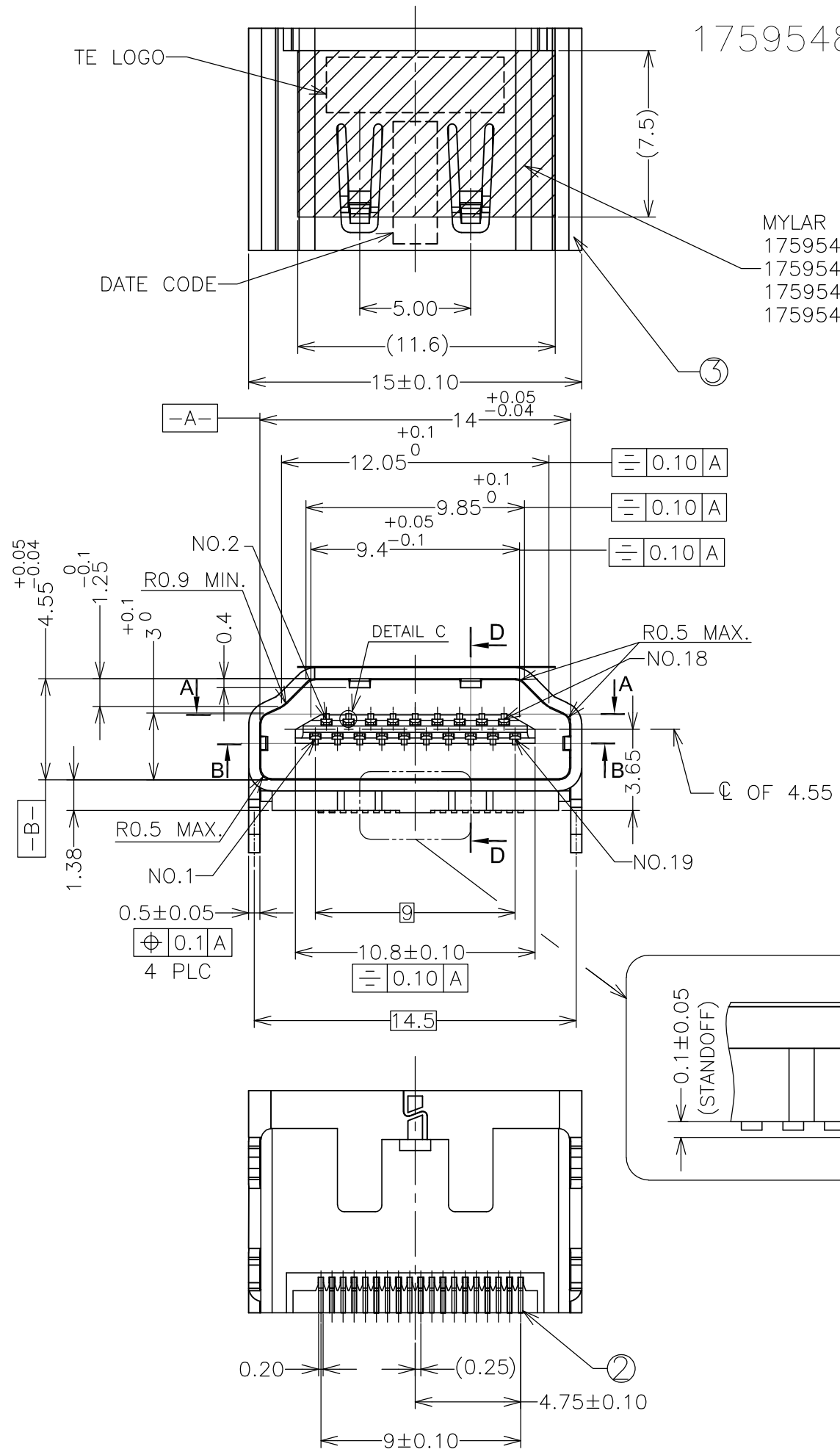


THIS DRAWING IS UNPUBLISHED. RELEASED FOR PUBLICATION
 © COPYRIGHT 2012 By TE Connectivity. ALL RIGHTS RESERVED.

LOC		DIST		REVISIONS			
DW		P	LTR	DESCRIPTION	DATE	DWN	APVD
			D2	ECR-15-013854	23DEC2015	B.L	H.W

1759548-1~5: AS SHOWN



- ① MATERIAL:
 - ① HOUSING: HIGH TEMP. THERMOPLASTIC, UL 94V-0, BLACK COLOR.
 - ② CONTACT: PHOSPHOR BRONZE.
 - ③ SHELL: PHOSPHOR BRONZE.
 - ④ MYLAR: PI.
- ② CONTACT FINISH:
 - GOLD PLATING ON CONTACT AREA (THICKNESS SEE TABLE)
 - 2.54µm [100µ"] MIN TIN PLATED ON SOLDER TAILS
 - 1.27µm [50µ"] MIN NICKEL UNDER PLATED OVER ALL.
- ③ SHELL FINISH:
 - 1.27µm [50µ"] MIN. NICKEL PLATE ALL OVER WITH SELECTIVELY PLATED GOLD FLASH ON THE SOLDERABLE AREAS OF THE HOLD-DOWN LEGS.
- ④ SHELL FINISH:
 - 1.27µm [50µ"] MIN. NICKEL PLATE ALL OVER WITH SELECTIVELY PLATED GOLD FLASH ON THE SOLDERABLE AREAS OF THE HOLD-DOWN LEGS AND BLACK COLOR OF SPUTTERING PLATE IN FRONT SURFACE.

OBSOLETE	W/	1.0	③	GOLD FLASH	1759548-5
OBSOLETE	W/	1.8	④	0.762µm MIN.	1759548-4
OBSOLETE	W/	1.8	③	0.762µm MIN.	1759548-3
ACTIVE	W/O	1.8	③	0.38µm MIN.	1759548-2
OBSOLETE	W/	1.8	③	GOLD FLASH	1759548-1
TOOLING	MYLAR	L	SHELL PLATING	△ GOLD PLATING ON CONTACT AREA	PART NUMBER

THIS DRAWING IS A CONTROLLED DOCUMENT.

DIMENSIONS: mm	TOLERANCES UNLESS OTHERWISE SPECIFIED:	DWN V.PENG 18JAN08	TE Connectivity NAME: HDMI TYPE A RECEPTACLE BOTTOM MOUNT CONNECTOR
0 PLC ± 0.25	1 PLC ± 0.25	CHK V.PENG 18JAN08	
2 PLC ± 0.25	3 PLC ± 0.15	APVD H.KODAMA 18JAN08	
4 PLC ± 0.15	ANGLES ± 3°	PRODUCT SPEC 108-57510	
MATERIAL ①	FINISH ②	APPLICATION SPEC	SIZE: A3 CAGE CODE: 00779 DRAWING NO: C-1759548 RESTRICTED TO: -
		WEIGHT: 1.85 gm	SCALE: 4:1 SHEET: 1 OF 3 REV: D2

CUSTOMER DRAWING

THIS DRAWING IS UNPUBLISHED.

RELEASED FOR PUBLICATION

© COPYRIGHT 2012 By TE Connectivity.

ALL RIGHTS RESERVED.

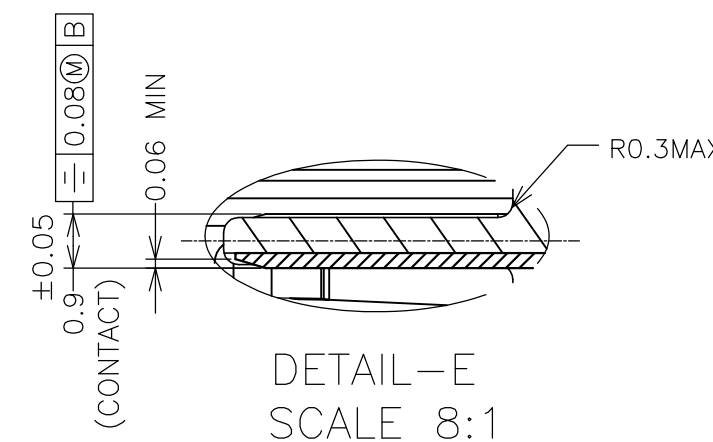
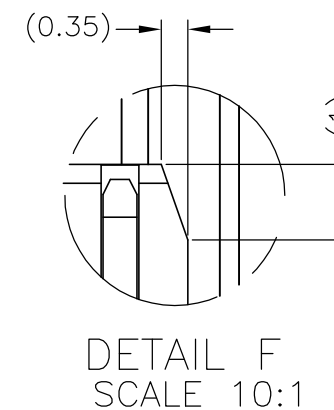
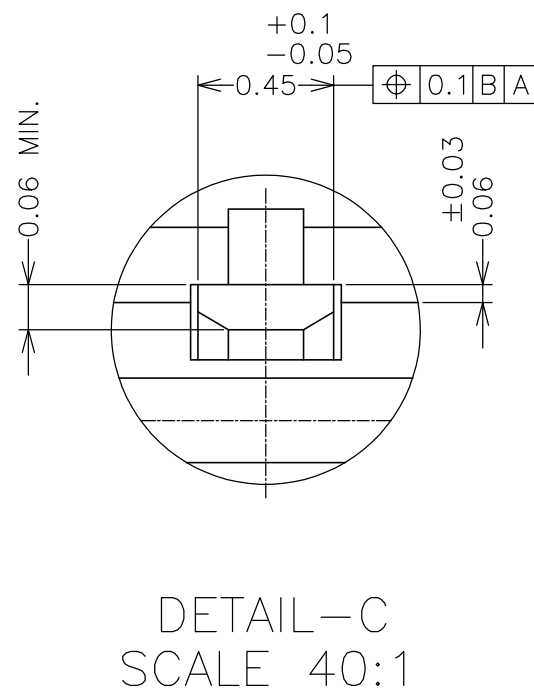
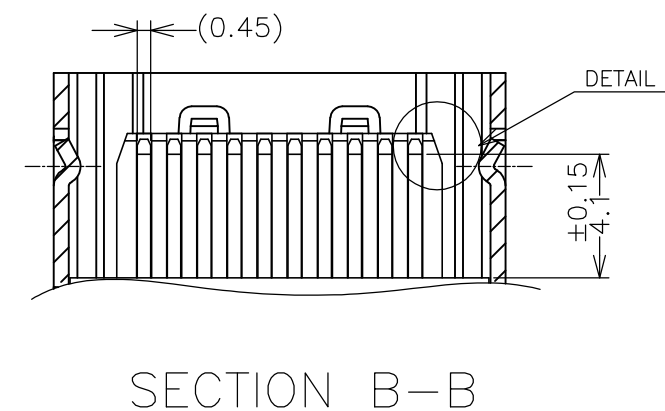
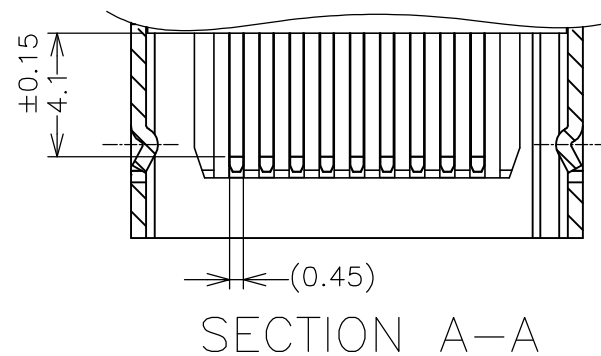
LOC DW

DIST

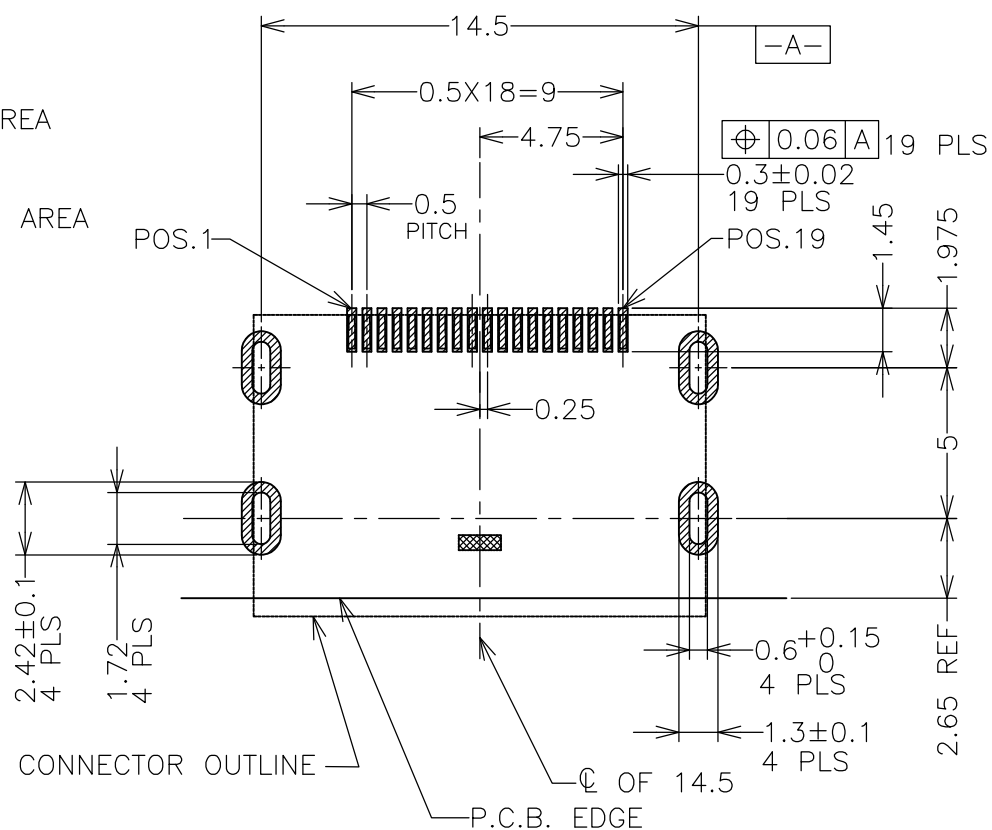
REVISIONS

P	LTR	DESCRIPTION	DATE	DWN	APVD
-	-	SEE SHEET 1	-	-	-

19	HOT PLUG DETECT	18	+5V POWER
17	DDC/CEC GROUND	16	SDA
15	SCL	14	RESERVED (N.C. ON DEVICE)
13	CEC	12	TMDS CLOCK-
11	TMDS CLOCK SHIELD	10	TMDS CLOCK+
9	TMDS DATA0-	8	TMDS DATA0 SHIELD
7	TMDS DATA0+	6	TMDS DATA1-
5	TMDS DATA1 SHIELD	4	TMDS DATA1+
3	TMDS DATA2-	2	TMDS DATA2 SHIELD
1	TMDS DATA2+		
PIN	SIGNAL ASSIGNMENT	PIN	SIGNAL ASSIGNMENT



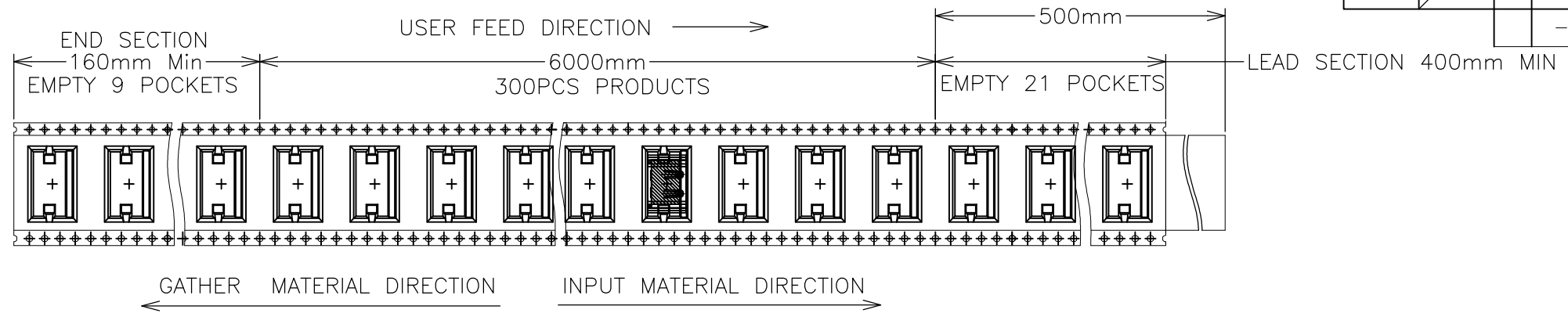
SOLDER AREA
 NO PATTERN AREA



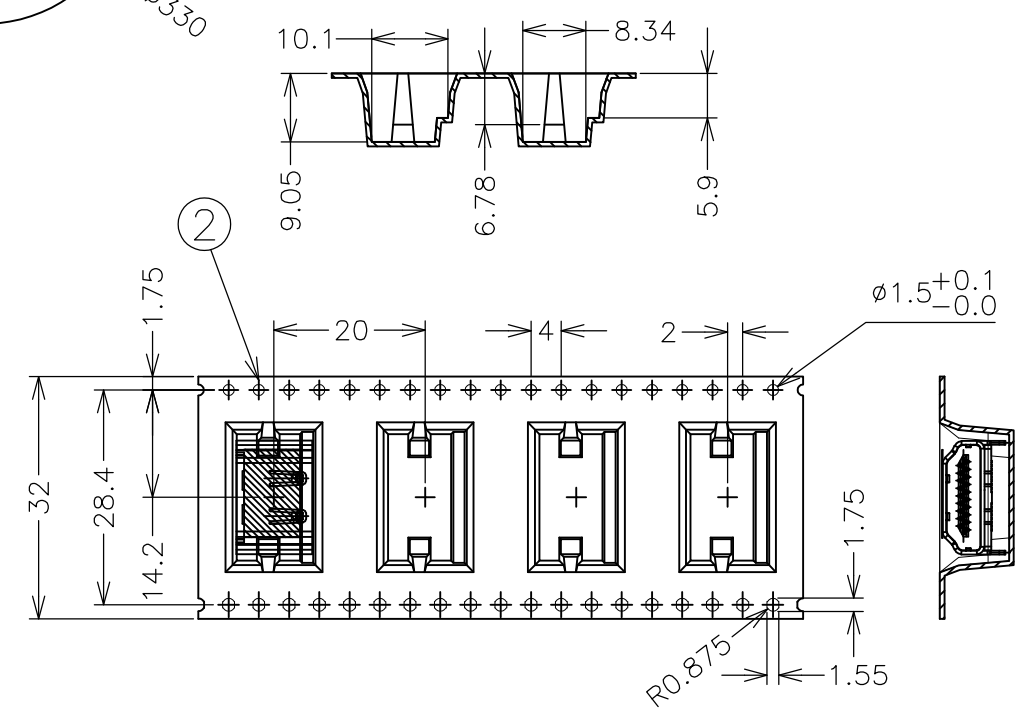
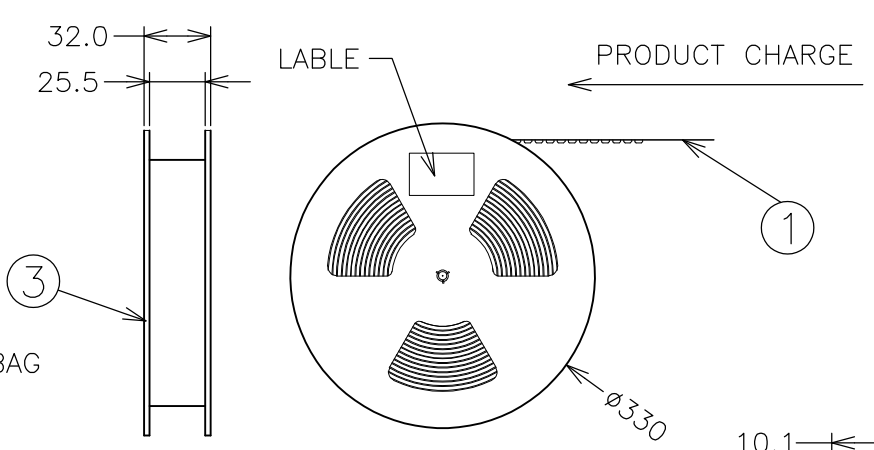
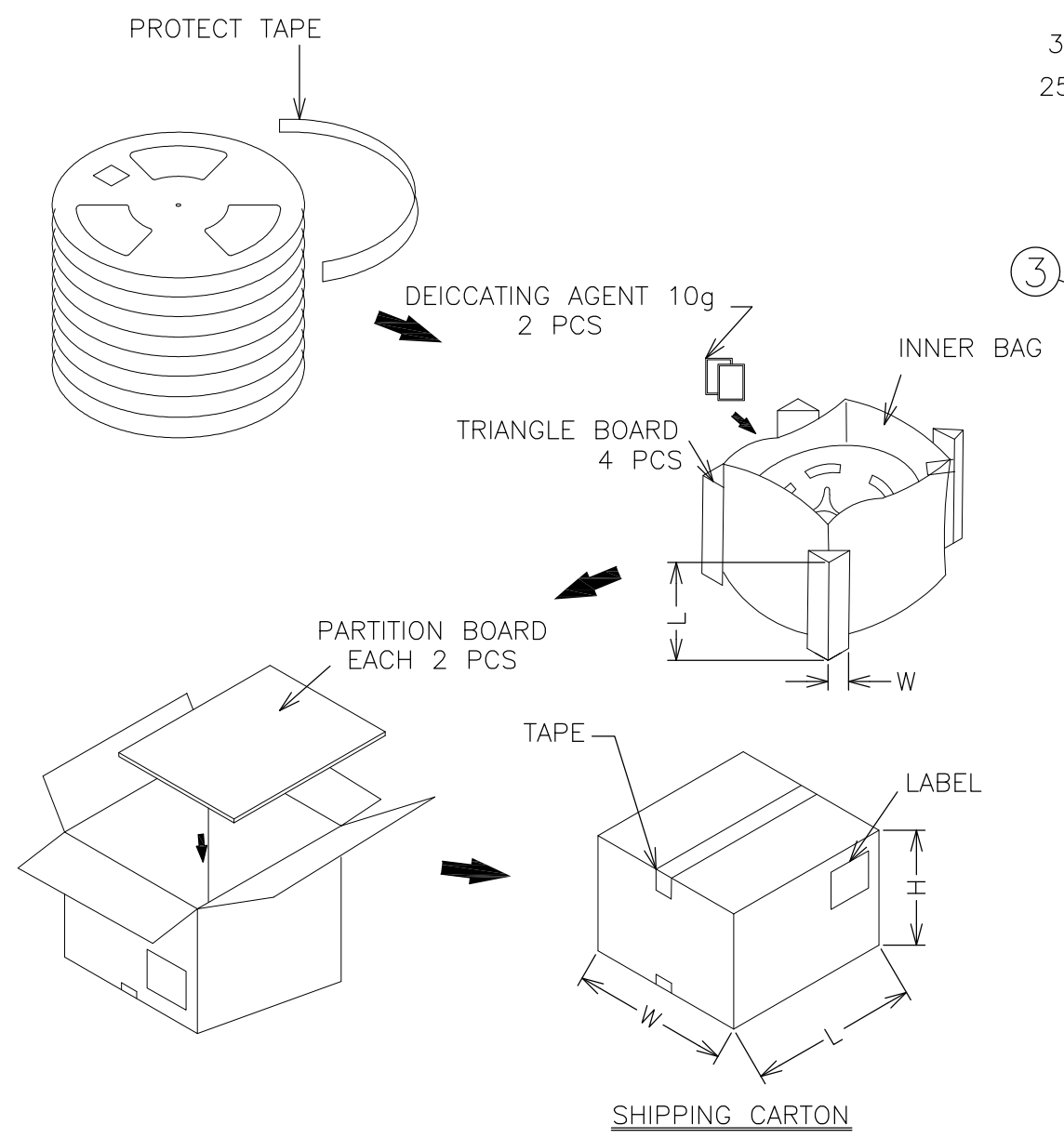
THIS DRAWING IS A CONTROLLED DOCUMENT.		DWN			
DIMENSIONS: mm		CHK			
TOLERANCES UNLESS OTHERWISE SPECIFIED:		APVD			
8 PLC ± 1 PLC ±- 2 PLC ±- 3 PLC ±- 4 PLC ±- ANGLES ±-		PRODUCT SPEC			
MATERIAL		FINISH		NAME	
				HDMI TYPE A RECEPTACLE BOTTOM MOUNT CONNECTOR	
				SIZE	CAGE CODE
				A3	00779
				DRAWING NO	RESTRICTED TO
				C-1759548	-
		CUSTOMER DRAWING		SCALE	SHEET
				4:1	2 of 3
				REV	D2

THIS DRAWING IS UNPUBLISHED. RELEASED FOR PUBLICATION
 © COPYRIGHT 2012 By TE Connectivity. ALL RIGHTS RESERVED.

LOC	DIST	P	LTR	DESCRIPTION	DATE	DWN	APVD
DW	/	-	-	SEE SHEET 1	-	-	-



- NOTE:
1. PEELING SPEED: 300mm/MINUTE
 2. PEELING RESISTANCE: 20g~130g
 3. PEELING ANGLE: 165°~180°
 4. DIMENSION:
 - CARTON: L=345, W=345, H=335
 - PARTITION BOARD: 330*330*3.5
 - TRIANGLE PARTITION: L=290, W=330
 5. QUANTITY:
 - 300 PCS/REEL
 - 8 PCS REELS/SHIPPING CARTON
 - 2400 PCS/SHIPPING CARTON
 6. NW:4.4KG; GW:8.9KG
 7. MATERIAL:
 - ① COVER TAPE: PET
 - ② CARRIER TAPE: CONDUCTIVE POLYSTYRENE ALLOY
 - ③ REEL: PS
 8. TEMPERATURE RANGE:
 - ① COVER TAPE: >=100° (MELTING TEMPERATURE)
 - ② CARRIER TAPE: 65° (DISTORTION TEMPERATURE)
 - ③ REEL: 85° (DISTORTION TEMPERATURE)



THIS DRAWING IS A CONTROLLED DOCUMENT.		DWN	04OCT2006		STE TE Connectivity																				
DIMENSIONS: mm		CHK	-			NAME HDMI TYPE A RECEPTACLE BOTTOM MOUNT CONNECTOR																			
TOLERANCES UNLESS OTHERWISE SPECIFIED:		APVD	-																						
<table border="1"> <tr><td>6 PLC</td><td>±</td><td>-</td></tr> <tr><td>1 PLC</td><td>±</td><td>-</td></tr> <tr><td>2 PLC</td><td>±</td><td>-</td></tr> <tr><td>3 PLC</td><td>±</td><td>-</td></tr> <tr><td>4 PLC</td><td>±</td><td>-</td></tr> <tr><td>ANGLES</td><td>±</td><td>-</td></tr> <tr><td>FINISH</td><td>±</td><td>-</td></tr> </table>		6 PLC	±	-		1 PLC	±	-	2 PLC	±	-	3 PLC	±	-	4 PLC	±	-	ANGLES	±	-	FINISH	±	-	PRODUCT SPEC	-
6 PLC	±	-																							
1 PLC	±	-																							
2 PLC	±	-																							
3 PLC	±	-																							
4 PLC	±	-																							
ANGLES	±	-																							
FINISH	±	-																							
MATERIAL		APPLICATION SPEC	-		SIZE	CAGE CODE	DRAWING NO	RESTRICTED TO																	
		WEIGHT	-		A3	00779	C-1759548	-																	
CUSTOMER DRAWING				SCALE	NAN	SHEET	3 OF 3	REV	D2																