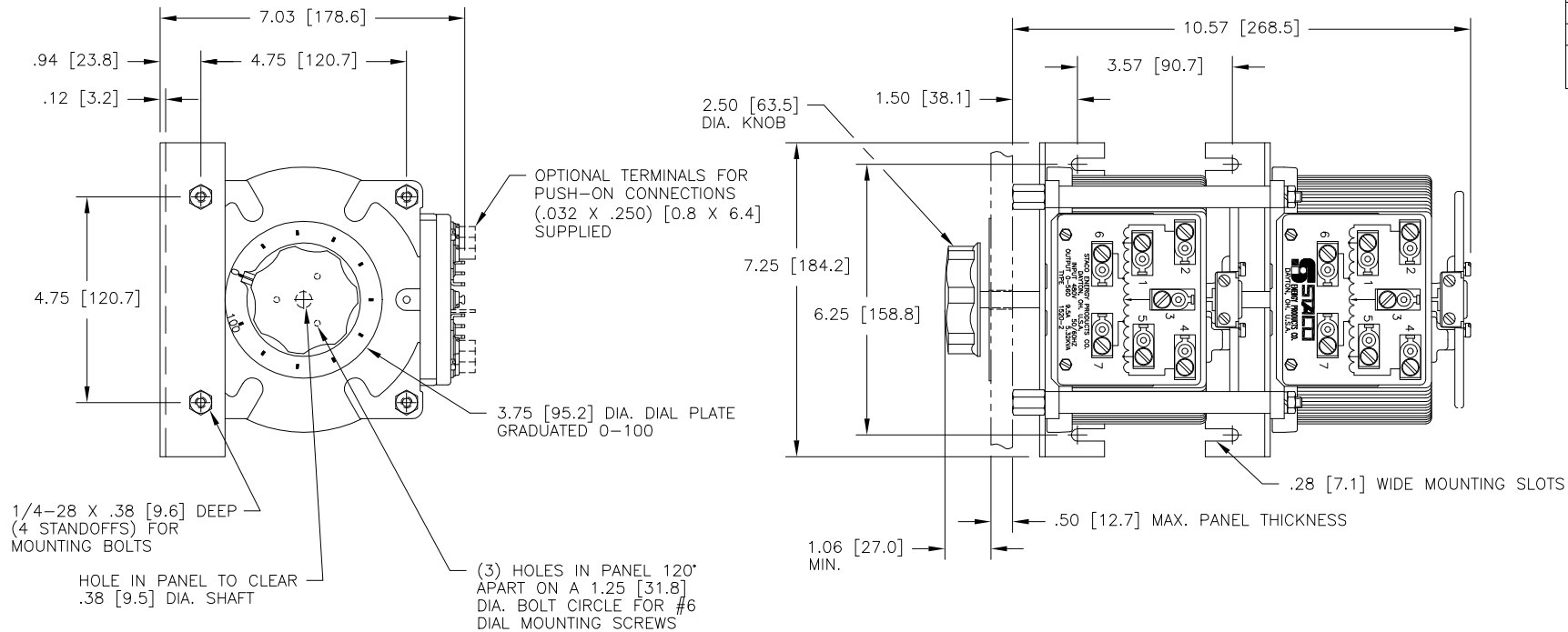


DWG. NO.	031-3913		
REVISIONS			
SYM.	E.C.N.	DATE	APVD.
A	24244	5/23/00	ADDED FIGURE A



MAXIMUM OUTPUT CURRENT IN OUTPUT VOLTAGE RANGE FROM 0 TO 25% ABOVE LINE VOLTAGE. AT HIGHER OUTPUT VOLTAGES, THE OUTPUT CURRENT MUST BE REDUCED ACCORDING TO THE DERATING CURVE FIGURE A.

§ MAXIMUM KVA AT MAXIMUM OUTPUT VOLTAGE AND CORRESPONDING DERATED OUTPUT CURRENT. MAXIMUM KVA FOR LOWER VOLTAGES MAY BE CALCULATED FROM DERATING CURVE FIGURE A.

++ LINE TO LINE VOLTAGE.

∏ IF GANGED UNITS ARE USED IN A SYSTEM THAT ORDINARILY HAS A COMMON NEUTRAL OR GROUND BETWEEN SOURCE AND LOAD, THE NEUTRAL OR GROUND MUST BE CONNECTED TO THE COMMON TERMINALS OF THE VARIABLE TRANSFORMER ASSEMBLY. IF THE SYSTEM HAS NO NEUTRAL, THE LOAD MUST BE BALANCED OR THE TRANSFORMER WILL BE DAMAGED.

■ JUMPER PROVIDED IN STANDARD COMMON POSITION AND SHOULD BE MOVED OR REMOVED AS REQUIRED.

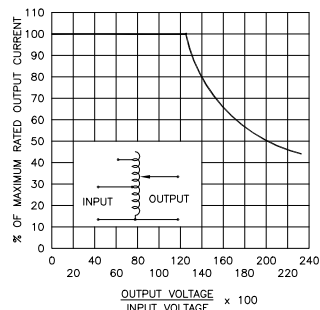
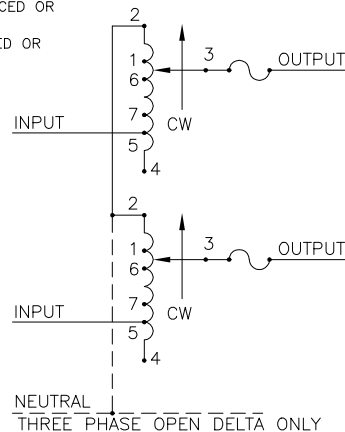


FIGURE A

MAXIMUM OUTPUT CURRENT OF ANY DUAL INPUT VOLTAGE OR VOLTAGE DOUBLER UNIT OPERATED AT LOWER INPUT VOLTAGE.



SCHEMATIC

THREE PHASE OPEN DELTA AND SINGLE PHASE SERIES. FUSES RECOMMENDED BUT NOT SUPPLIED

SPECIFICATIONS

WIRING	INPUT		OUTPUT				SHAFT ROTATION TO INCREASE VOLTAGE	TERMINAL CONNECTIONS				
	VOLTS	HERTZ	VOLTS	CONSTANT CURRENT LOAD		CONSTANT IMPEDANCE LOAD		MOTOR DRIVEN UNITS USE CCW FOR INCREASING VOLTAGE AS VIEWED FROM BASE END ■				
				MAX. AMPS	MAX. KVA	MAX. AMPS		MAX. KVA	INPUT	JUMPER	OUTPUT	
SINGLE PHASE SERIES	480	50/60	0-480	9.5	4.56	12	5.76	CW	2-2	4-4	3-3	
			0-560	9.5	5.32	—	—	CCW	4-4	2-2	3-3	
	240	50/60	0-560	9.5#	2.28 §	—	—	CW	1-1	4-4	3-3	
			0-280	9.5	4.61	—	—	CCW	5-5	2-2	3-3	
THREE PHASE OPEN DELTA ∏	240	++	50/60	0-240	9.5	3.95	12	5.0	CW	2-4-2	4-4	3-4-3
				0-280	9.5	4.61	—	—	CCW	4-2-4	2-2	3-2-3
	120	++	50/60	0-280	9.5#	1.98 §	—	—	CW	5-2-5	2-2	3-2-3
				0-280	9.5#	1.98 §	—	—	CCW	7-4-7	4-4	3-4-3
	120	++	50/60	0-280	9.5#	1.98 §	—	—	CW	2-2-6	4-4	3-2-3
				0-280	9.5#	1.98 §	—	—	CCW	6-2-6	2-2	3-2-3

UNLESS OTHERWISE SPECIFIED, TOLERANCE IS ± DECIMALS: HOLES .002 ANGLES DRAFT 1°-1/2° .XXX .005

MATERIAL: ALL DIMENSIONS APPLY AFTER PLATING

TITLE: SPEC. CONTROL DWG. VARIABLE TRANSFORMER MODEL: 1520-2



The information and design disclosed herein was originated by and is the property of STACO ENERGY PRODUCTS CO., which reserves all patent, proprietary, design, manufacturing, reproduction, use and sale rights thereto, and to any article disclosed therein except to the extent rights are expressly granted to others. The foregoing does not apply to vendor proprietary parts.

DRAWN BY S.A. SMITH	DATE 5/23/00	FIRST USED ON	DO NOT SCALE DWG.	CUSTOMER APPROVAL	DATE
CHECKER	DATE	WEIGHT APPROX. 42.25 LBS	CODE IDENT. NO. 83008	DWG. NO.	DWG. NO.
ENGINEER	DATE	SCALE .5=1	SHEET 1 OF 1	C	031-3913