

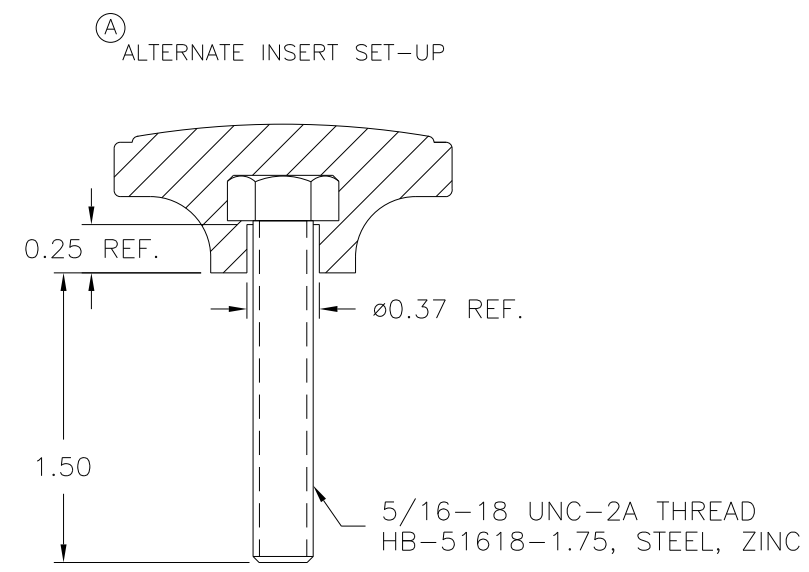
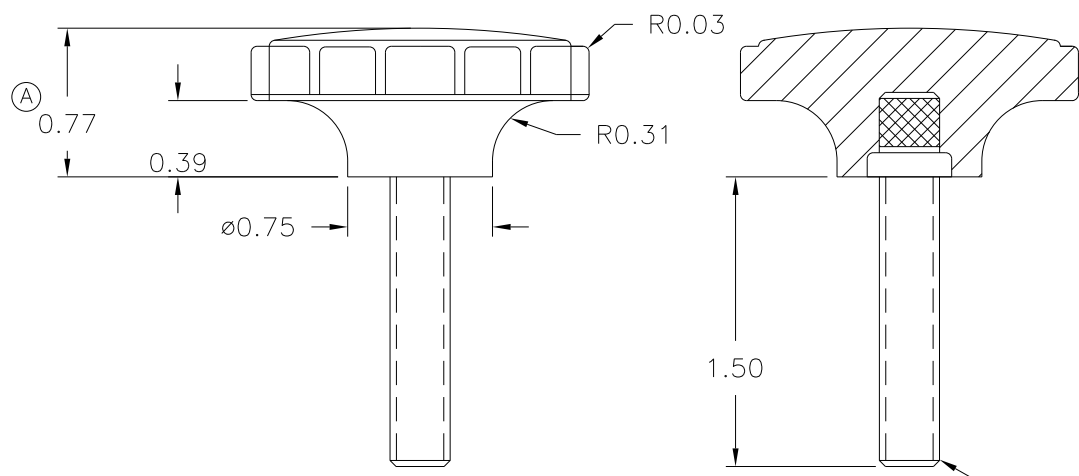
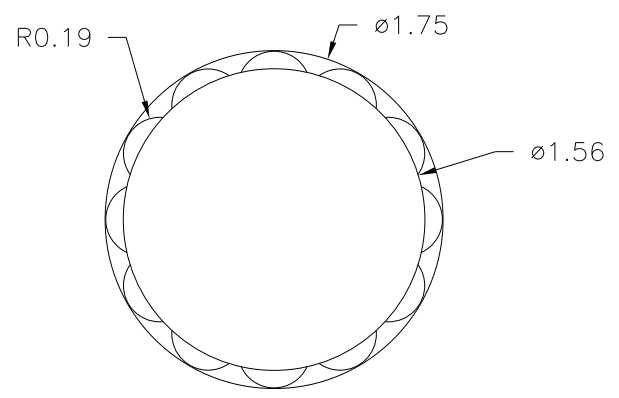
PART NAME: KNOB SCALE: 1:1 DATE: 4/16/70 DR. BY NH

THIS DRAWING IS THE PROPERTY OF DAVIES MOLDING COMPANY, IS SUBMITTED SOLELY AS A DESIGN OR ENGINEERING PROJECT. WE ACCEPT NO RESPONSIBILITY WHATSOEVER FOR THE PRACTICAL APPLICATION OF THE PIECES MADE TO THIS DESIGN.



DESIGNERS & MANUFACTURERS OF KNOBS, HANDLES, CASES & CUSTOM PLASTIC COMPONENTS

P/N	3000JK
M ^{NO.}	3000
CAVITY	3000
PLUNGER	3000
(A) SHIM	1/4
PIN	3000-E
INSERT	I0666
(A)	ALTERNATE INSERT SET-UP
PIN	3000-516
SPACER	0.750"
INSERT	HB-51618-1.75



5/16-18 UNC-2A THREADED I0666, STEEL, ZINC PLATED

(B)
MATERIAL: #4311 PHENOLIC (B41)
COLOR: BLACK

TOLERANCES: UNLESS OTHERWISE SPECIFIED	DO NOT SCALE DRAWING	B	WAS G.P. PHENOLIC (B11)	JAM	3/7/16
DECIMALS: X.XXX ± .005 X.XX ± .015	MM: X.XX ± 0.15MM X.X ± 0.4MM	A	ADDED ALT. INSERT, 1.00 WAS 0.77, SHIM WAS 1/4+1/4	JAM	7/6/11
FRACTIONS ± 1/64	ANG. ± 1°	-	RE-DID REDRAW	TL	11/29/99
		-	CAD REDRAW	HD	8/26/97
CHANGES					