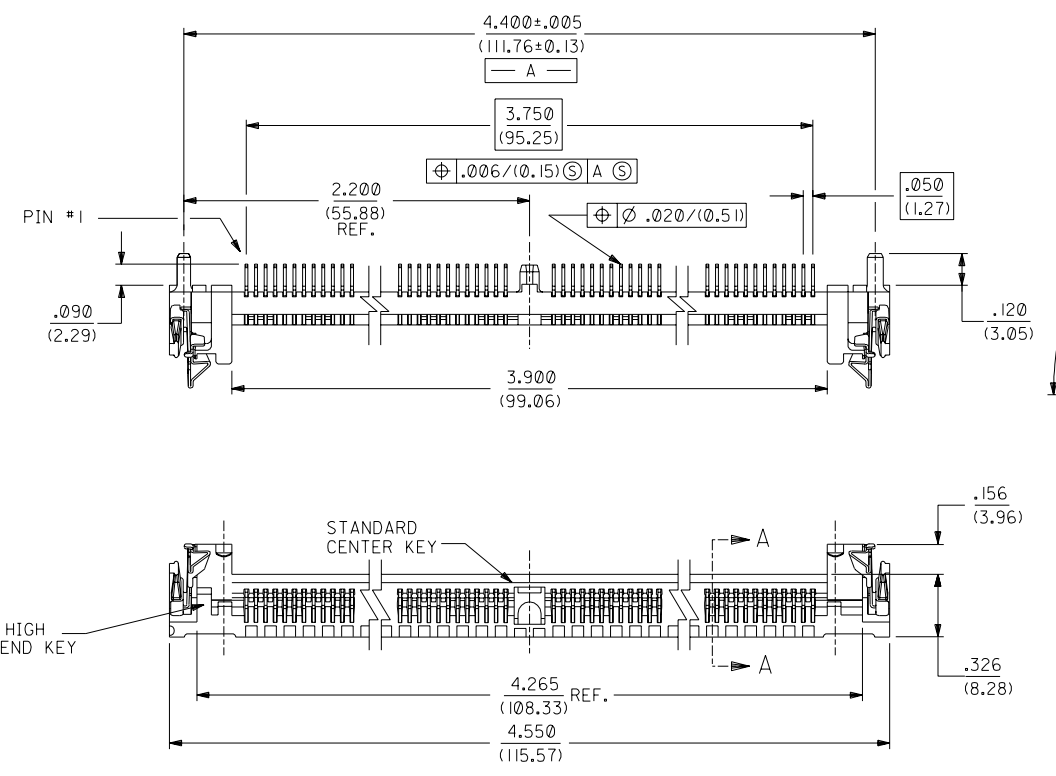
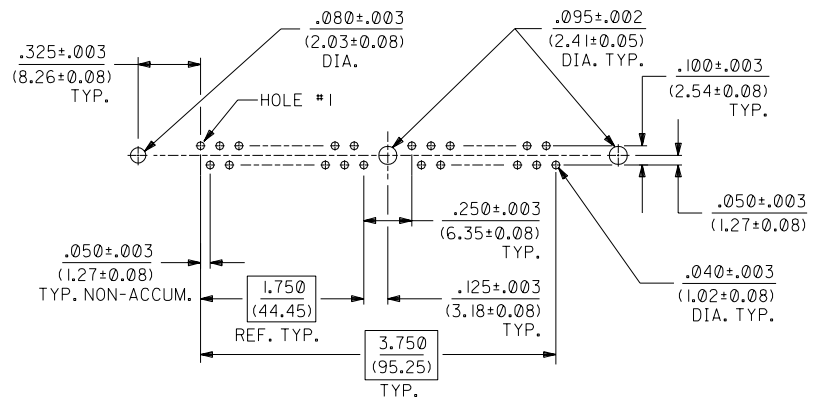


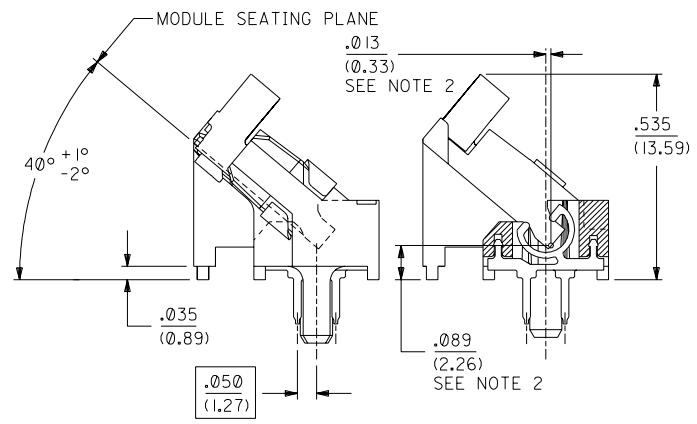
- NOTES:**
- CARD SLOT ACCEPTS P.C. BOARDS $.050 +.004/-0.003$ THICK, MEASURED OVER CONTACT PADS. (1.27 +0.10/-0.08)
 - LOCATION OF LOWER CORNER OF MODULE BOARD.
 - PRODUCT SPEC PS-78954 APPLIES.
 - CENTER PEG IS AN INTERFERENCE FIT TO RECOMMENDED P.C. BOARD HOLE.

MATERIALS:
 HOUSING: LCP, GLASS FILLED, 94V-0. COLOR: BLACK.
 LATCH: STAINLESS STEEL.
 TERMINAL: PHOSPHOR BRONZE, POST PLATED
 30 μ m/(0.76 μ m) MINIMUM GOLD IN CONTACT AREA AND
 150 μ m/(3.81 μ m) MINIMUM TIN IN TAIL AREA OVER
 75 μ m/(1.91 μ m) MINIMUM NICKEL OVERALL.

THE PRIMARY SHIPPING CARTON WILL BE LABELED "COMPLIANT TO ROHS DIRECTIVE 2002/95/EC AND ELV ANNEX II OF DIRECTIVE 2000/53/EC". CARTONS WITHOUT THIS LABEL MAY CONTAIN PRODUCT WITH LEAD.



RECOMMENDED SOCKET P.C. BOARD HOLE PATTERN



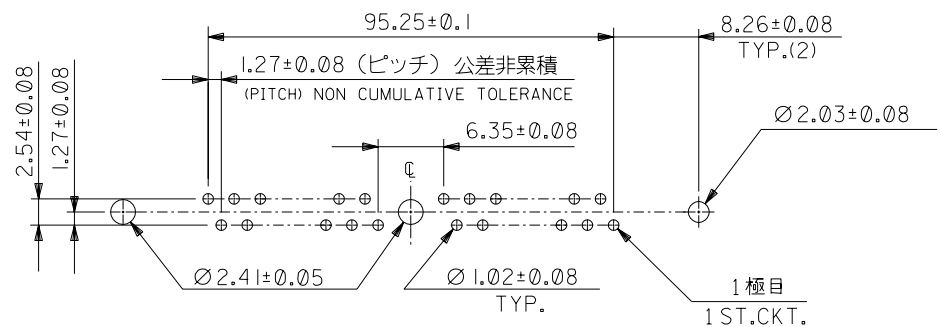
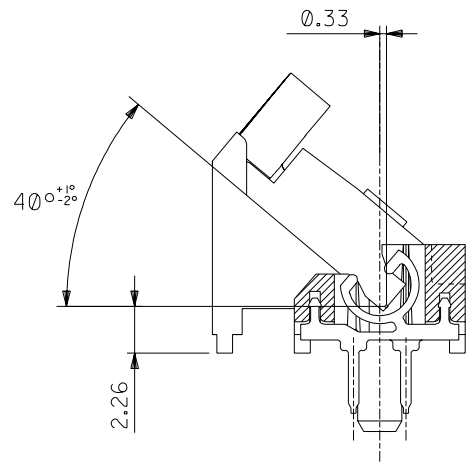
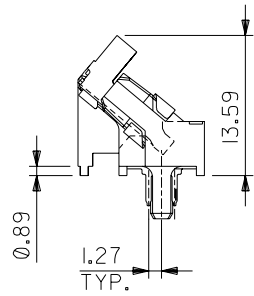
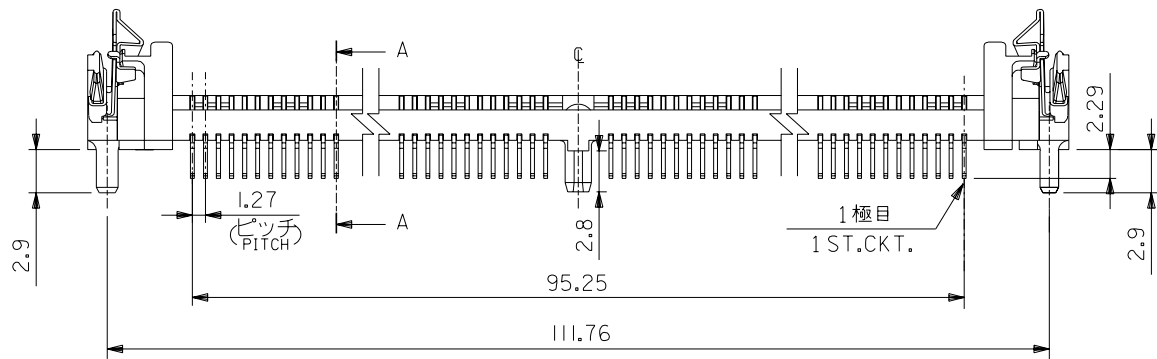
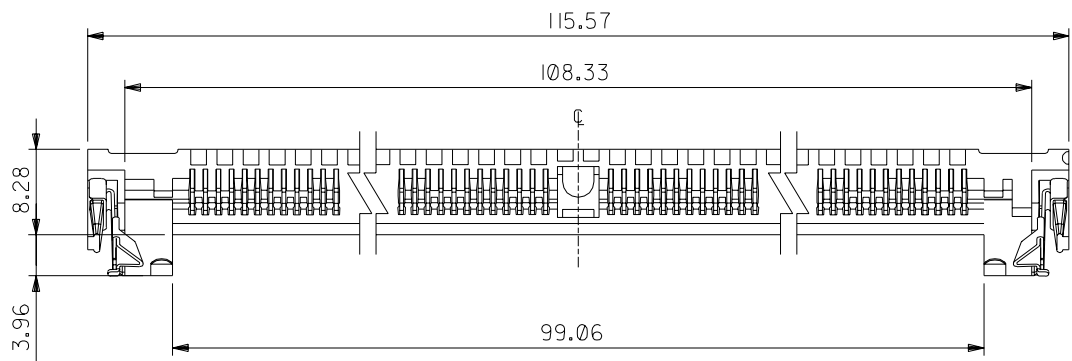
END VIEW SCALE 4:1 SECTION A-A SCALE 4:1

K	LEAD FREE UCP 2004 1582 RWHITE 04/03/03
J	REVISED PER ECN # U51393 CMY 7-25-95
II	CORRECTED TEXT PER ECN # U50199 MJS 10-6-94
I	.050 BASIC TAIL DIM. PER ECN # U30092 PDB 01-21-93
H	.010 BLOCK TOL WAS .050 PER ECN # U21290 PDB 08-27-92
G	REMOVE TRACKING TOES PER ECN # U20978 PDB 06-29-92
F	REVISED GEOMETRY PER ECN # U20157 PDB 02-10-92
E	CORRECT HOLE PATTERN PER ECN # U11932 PDB 09-25-91
D	REVISED SALES MASTER PER ECN # U1129 PDB 06-26-91
C	REVISED PER ECN # U00860 PDB 11-06-90
B	REVISED PER ECN # U00635 PDB 08-20-90
A	RELEASE TO MFG. PER ERO # 30214 PDB 07-30-90

DIMENSIONS SHOWN (METRIC/INCH) UNLESS OTHERWISE SPECIFIED TOLERANCES: ANGULAR ± 1/2°		▽ = 0 ▽ = 0 REVISE ONLY ON CAD SYSTEM	
INCH METRIC		TITLE	
3 PLACE ± .010 ---	---	SALES ASSY. 72 CIRCUIT 40° METAL LATCH HIGH KEY SINGLE ROW SIMM SOCKET	
2 PLACE ± .014 ± 0.25	---	SHEET NO. DATE	
1 PLACE --- ± 0.36	---	MOLEX INCORPORATED 1 OF 1 07/30/90	
DRAFT WHERE APPLICABLE MUST REMAIN WITHIN DIMENSIONS		PART NO. DRWG. NO.	
FILE NAME 57897605.DGN		15-82-0627 SDA-78976-7232	
DRWG. PDB	CHK'D. BY	FILE NAME	THIS DRAWING CONTAINS INFORMATION THAT IS PROPRIETARY TO MOLEX INC. AND SHOULD NOT BE USED WITHOUT WRITTEN PERMISSION
BY	SCALE 2:1	DRWG. NO.	SIZE DA C

DWG. NO.
SDA-78976-7232

DIMENSIONS IN METRIC DO NOT SCALE DRAWING



基板取付穴推奨寸法
RECOMMENDED PCB LAYOUT
部品実装側
(VIEW ON COMPONENT SIDE)

注記
NOTES.

1. 材料
MATERIAL
- 1-1 ハウジング: ガラス入り耐熱樹脂 色:黒 UL94V-0
HOUSING : G.F.HEAT RESISTANT PLASTIC
COLOR:BLACK UL94V-0
- 1-2 ターミナル: 燐青銅
TERMINAL : PHOSPHOR BRONZE
- 1-3 ラッチ : パネ用ステンレス鋼
LATCH : STAINLESS SPRING STEEL
2. メッキ仕様 (ターミナル)
PLATING(TERMINAL)
- 接点部 : 金メッキ 0.76µm MIN.
CONTACT AREA:GOLD 0.76 MICROMETER MINIMUM
- 半田付け部: 錫メッキ 3.81µm MIN.
SOLDER TAIL AREA:TIN 3.81 MICROMETER MINIMUM
- 下地メッキ: ニッケルメッキ 1.91µm MIN.
UNDER-PLATING:NICKEL 1.91 MICROMETER MINIMUM

角度 ANGLE	±3°
30 以上 OVER	+0.3
10 以上 30 UNDER	+0.25
未滿 10 UNDER	+0.2
一般公差 GENERAL TOLERANCES	

記号 LTR	変更内容 REVISION RECORD	DR. CHK.	日付 DATE
0	新規作成 (T30578)	S.M.S.	93/11/25
A	変更 (J2004-4492)	S.M.S.	04/05/31

材料 MATERIAL	注記参照 SEE NOTES
仕上げ FINISH	注記参照 SEE NOTES
適用電線範囲 WIRE RANGE	—
被覆外径 INS. RANGE	—
DRAWN BY	CHK'D BY
APP'D BY	尺度 SCALE 2 - 1

78976-7232	72
MATERIAL NO. 製品番号	CIRCUIT 極数
molex MOLEX-JAPAN CO.,LTD. 日本モレックス株式会社	
REVISE ONLY ON CAD SYSTEM	
TITLE 名称 40 DEG. SIMM SOCKET 72 CIRCUIT W/METAL LATCH -LEAD FREE-	
DWG. NO. SDA-78976-7232	REV A