

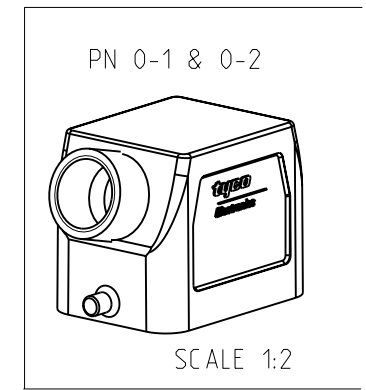
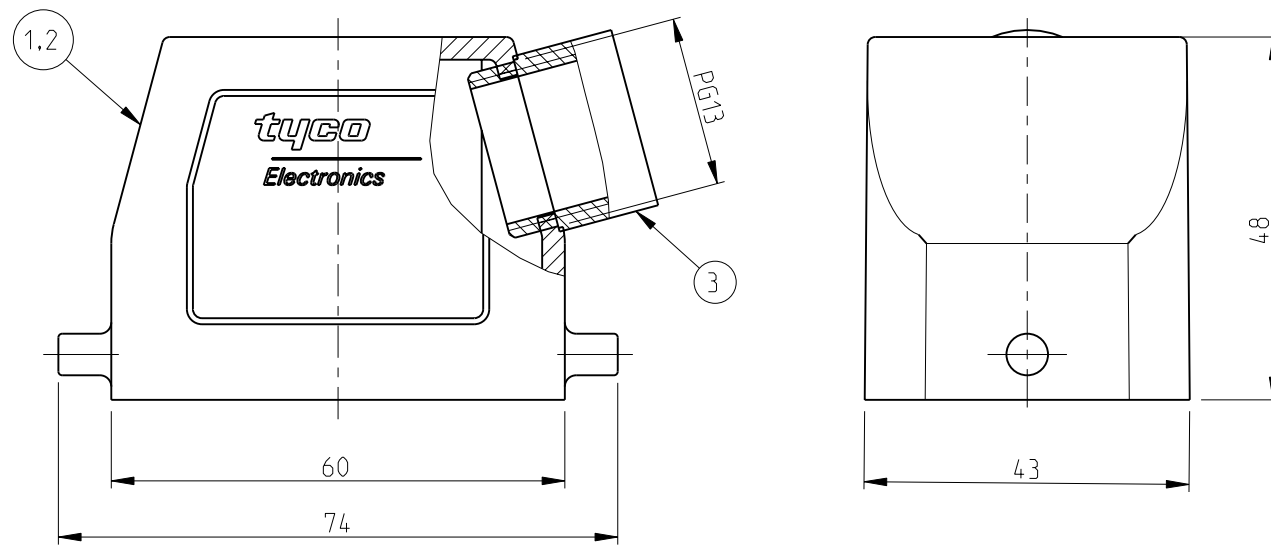
THIS DRAWING IS UNPUBLISHED. RELEASED FOR PUBLICATION 19997
 © COPYRIGHT 19997 BY TYCO ELECTRONICS CORPORATION. ALL RIGHTS RESERVED.

LOC	DIST	REVISIONS			
P	LTR	DESCRIPTION	DATE	DWN	APVD
A1					
	A2	Released as per ECR-07-030416	17.12.07	SP	TS

NOTES

- 1 Material: Housing: Aluminium diecasting alloy
- 2 Surface:- Varnish-Grey
-Flaming red RAL 3000
- 3 Varnish on the inside not necessary
- 4 Packaging
Packaging quantity: 5 pieces in a box

PN 0-1 & 0-2



QTY	ITEM NO	DESCRIPTION	MATERIAL	SURFACE	COLOR	ITEM NO	NOTES
1	1	Adapter PG13	Brass	Nickel plated	Blue	3	
1	-	Hood HB.6	Aluminium	-	Flaming red RAL 3000	2	
-	1	Hood HB.6	Aluminium	-	Grey	1	
0-2	0-1	DESCRIPTION	MATERIAL	SURFACE	COLOR	ITEM NO	NOTES
ORDERING TEXT							
HB.6.STS.1.13.Z-S0							
HB.6.STS.1.13.Z-S0							

THIS DRAWING IS A CONTROLLED DOCUMENT FOR TYCO ELECTRONICS CORPORATION IT IS SUBJECT TO CHANGE AND THE CONTROLLING ENGINEERING ORGANIZATION SHOULD BE CONTACTED FOR THE LATEST REVISION.	
DIMENSIONS: mm	TOLERANCES UNLESS OTHERWISE SPECIFIED: n-ISO 8015 n-ISO 2768-mH-E n-ISO 16901-120
	0 PLC ± 1 PLC ± 2 PLC ± 3 PLC ± 4 PLC ± ANGLES ±
MATERIAL	FINISH

DWN Schneider 16.05.02			Tyco Electronics,AMP,GmbH	
CHK Schweiger 16.05.02	D-53819,Neunkirchen,Germany			
APVD	NAME Hood HB.6.STS.1.13.Z			
PRODUCT SPEC				
APPLICATION SPEC				
WEIGHT	SIZE A3	CAGE CODE 00779	DRAWING NO C-1102066	RESTRICTED TO
CUSTOMER DRAWING		SCALE 1:1	SHEET 1 OF 1	REV A2