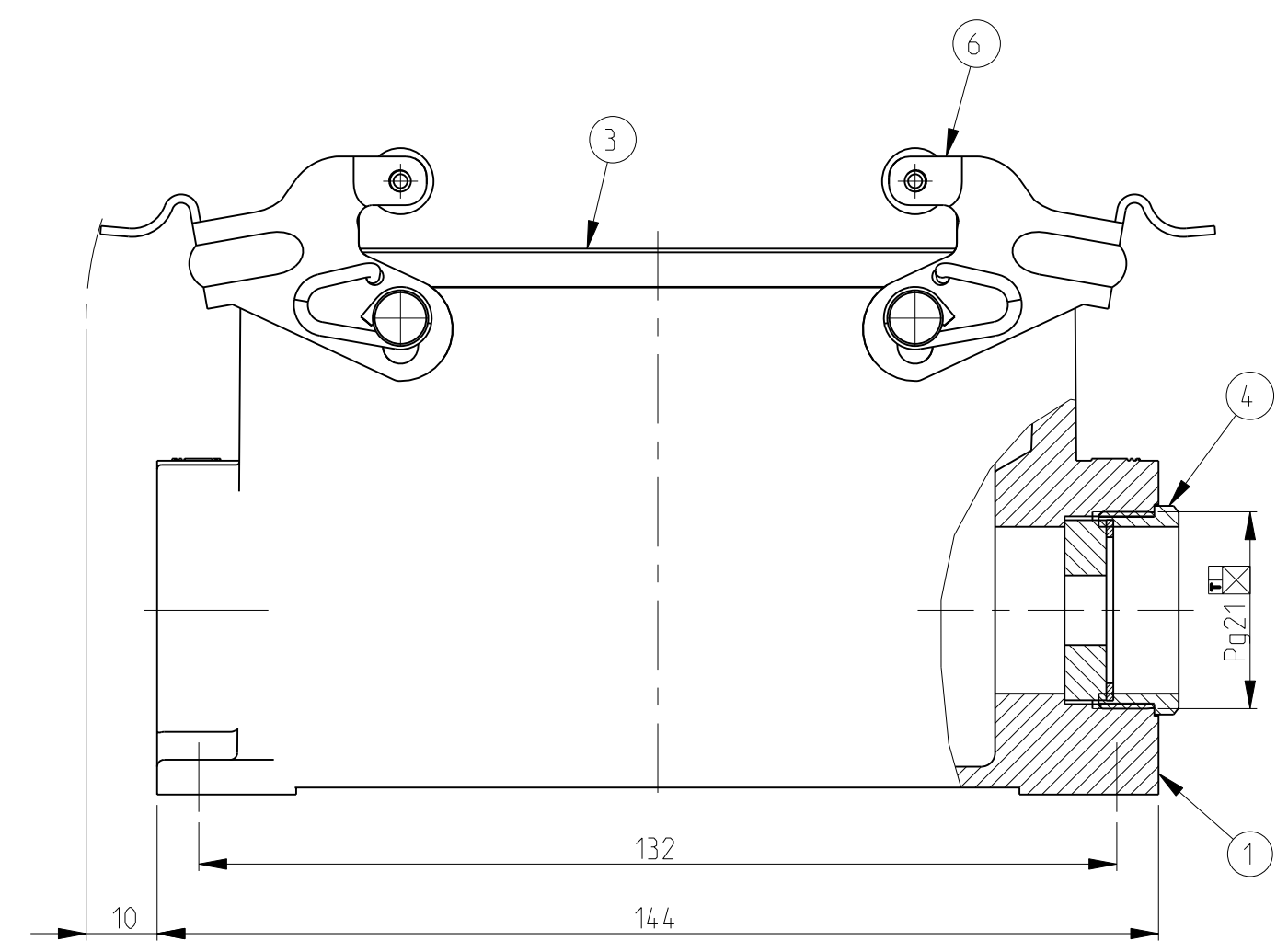
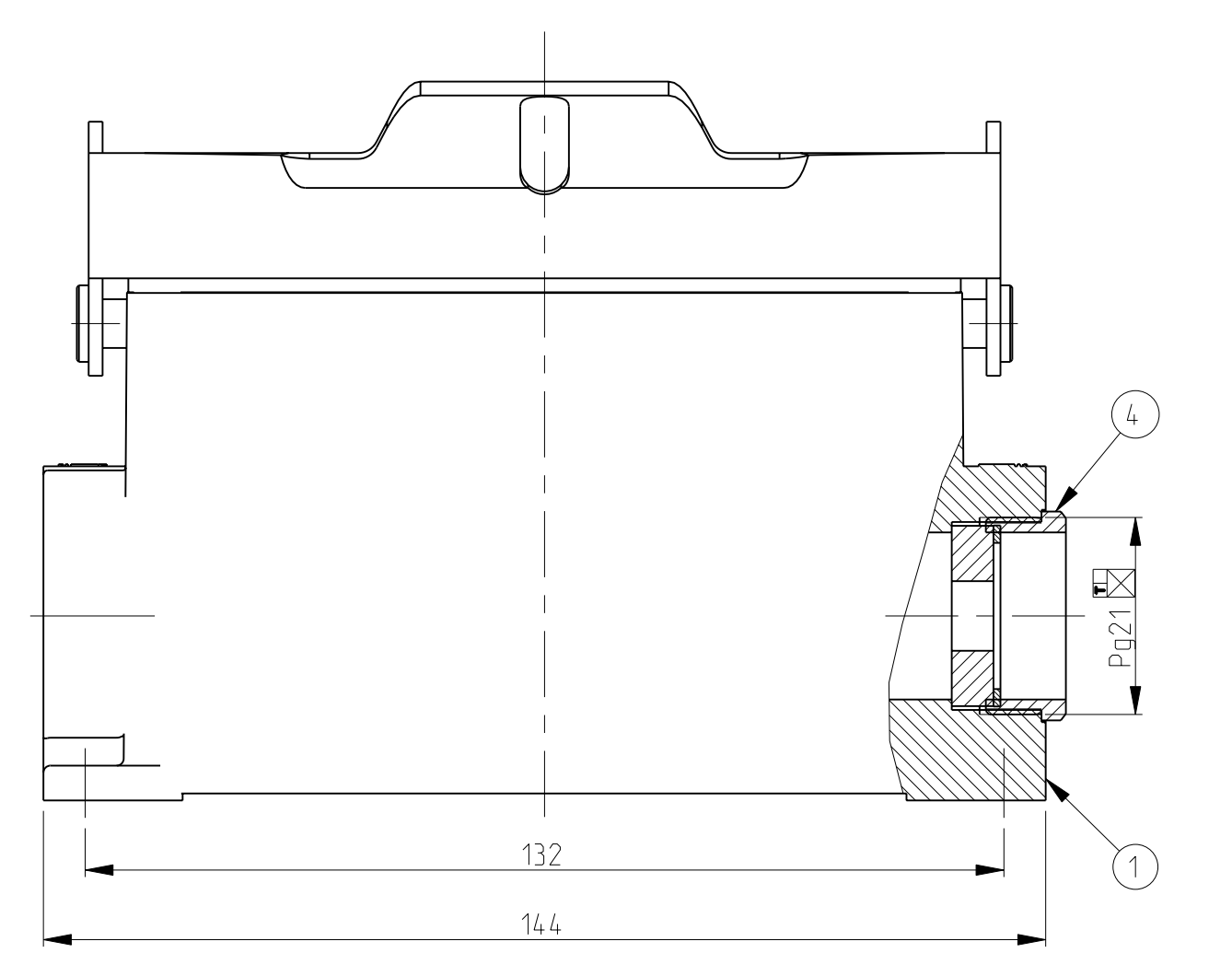
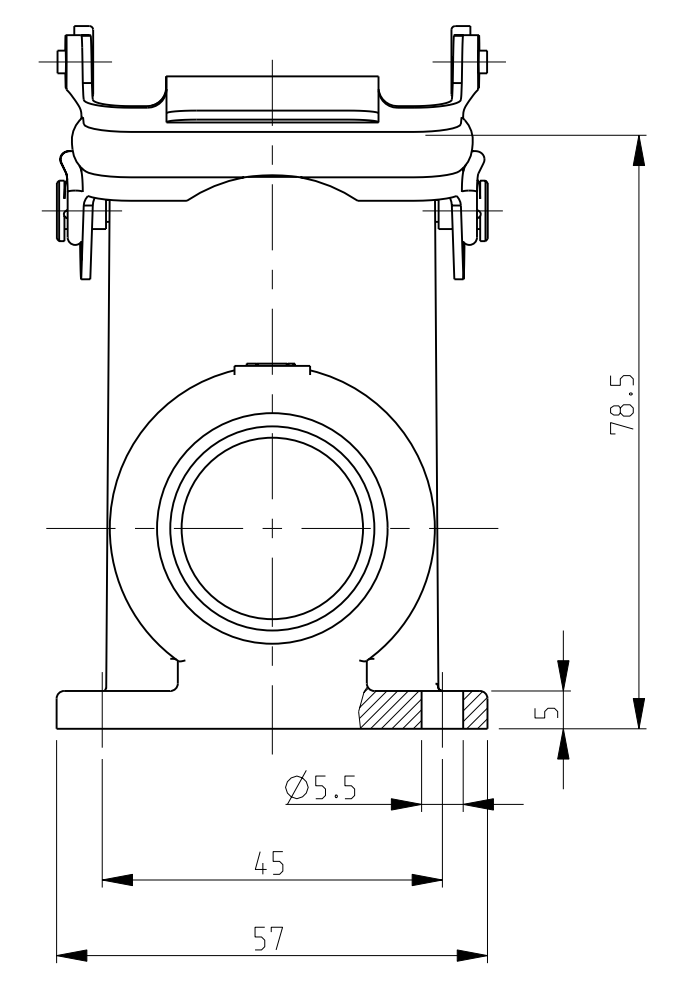


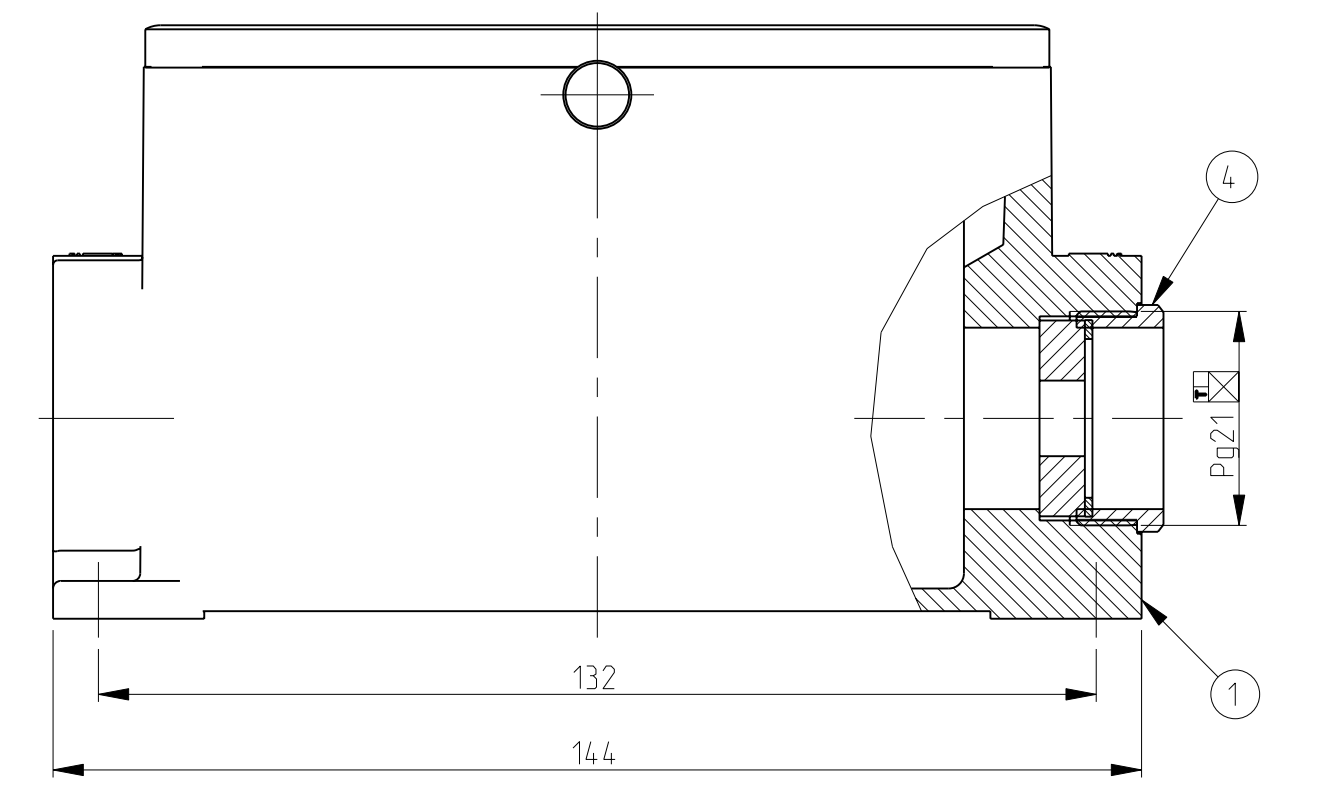
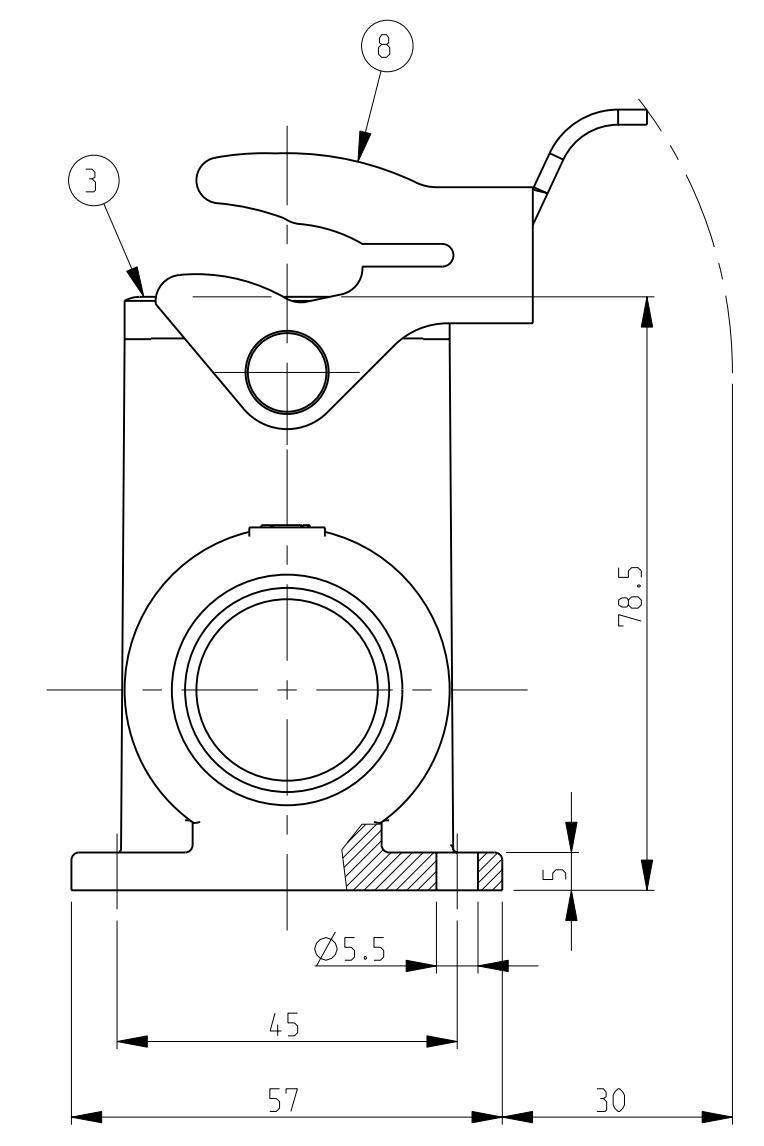
LOC	DIST	REVISIONS			
P	LTR	DESCRIPTION	DATE	DWN	APVD
A4		Released as per ECR-08-017219	09.July.2008	SP	TS
A5		REVISED PER ECO-09-027197	17DEC 2009	KK	AEG



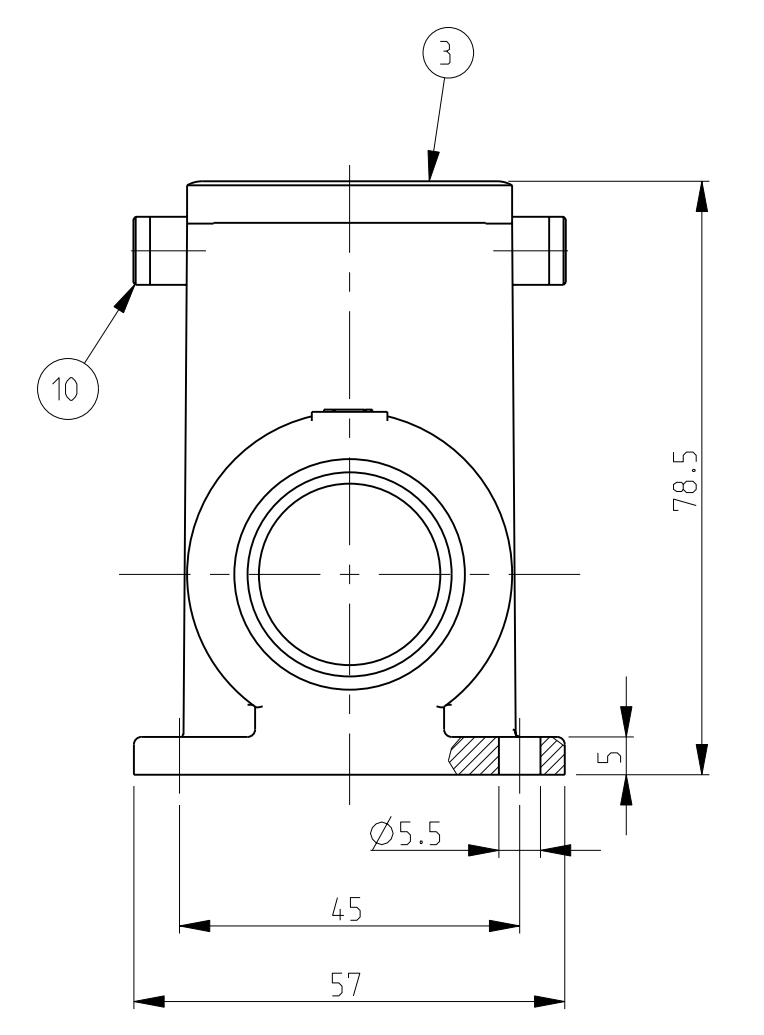
PN 1-1



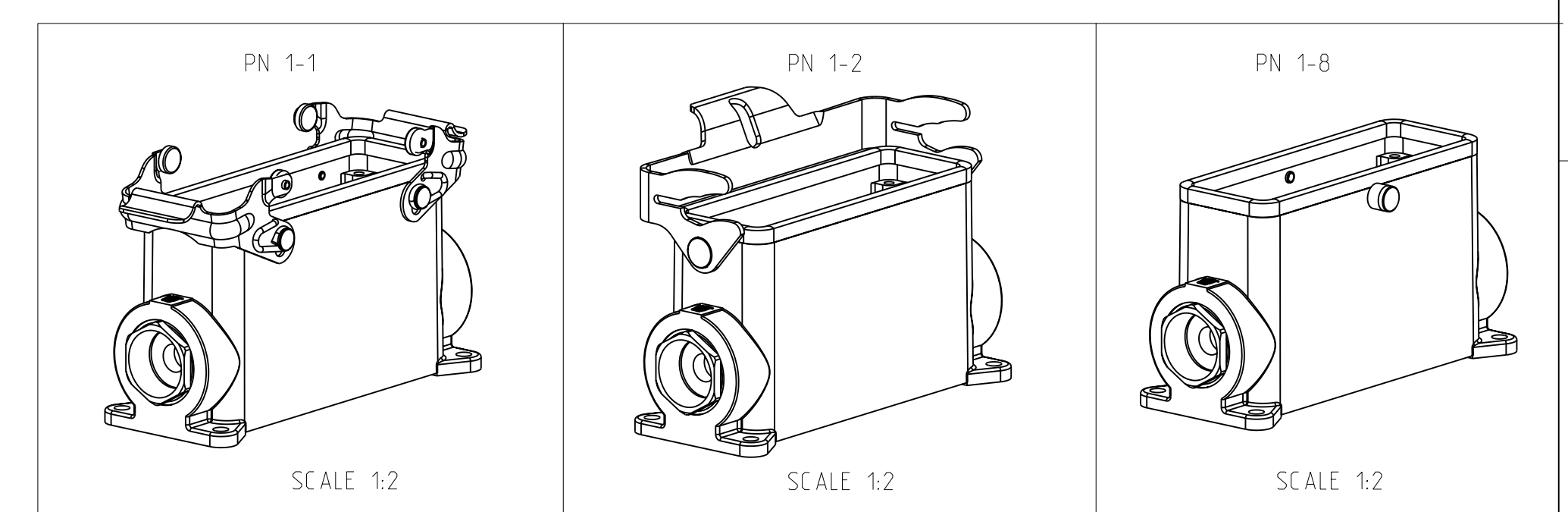
PN 1-2



PN 1-8



- NOTES.
- Material:Housing:Aluminium Diecasting Alloy
 - Surface:Varnish grey
 - Varnish on the inside not necessary
 - Packaging
Quantity 5 Pieces in a box
- ⚠ OBSOLETE PARTS: OBSOLETE C IS STREAMLINING PER D.RENAUD/D.SINISI



QTY	DESCRIPTION	MATERIAL	SURFACE	COLOR	ITEM NO	REMARKS
2	ZB-Clip bolt	Stainless steel			11	
2	ZB-Clip bolt	Steel	Zinc plated	Blue	10	
	LB-Side clip	Stainless steel			9	
1	LB-Side clip	Steel	Zinc plated	Blue	8	
2	VS-Locking clip	Stainless steel			7	
2	VS-Locking clip	Steel	Zinc plated	Blue	6	
1	Gland fitting Pg21	Brass	Nickel plated		5	
1	Cable connection round Pg21	Brass	Nickel plated		4	
1	Profile seal	Neoprene		Black	3	
1	Surface mounted housing side entry HD.64.Pg1.1.21	Aluminium	Aluminium oxide	Black	2	
1	Surface mounted housing side entry HD.64.Pg1.1.21	Aluminium		Grey	1	
2-8	1-8	2-2	1-2	2-1	1-1	
ORDERING TEXT						
HD.64.SG-VS.1.21						
HD-K.64.SG-VS.1.21						
HD.64.SG-LB.1.21						
HD-K.64.SG-LB.1.21						
HD-Z.64.SG-ZVGR.1.21						
HD-K/Z.64.SG-ZVGR.1.21						

TYCO ELECTRONICS CORPORATION
 114-74003
 114-74001

DWN: Schweiger 17.07.1997
 CHK: Kramer 26.06.98

Tyco Electronics
 Tyco Electronics Corporation
 0-53819,Neunkirchen,Germany

NAME: Surface mounted housing side entry HD.64.1.21

PRODUCT SPEC: 108-74003
 APPLICATION SPEC: 114-74001

SIZE: A | 00779 | C=1103345
 SHEET: 1 OF 1
 SCALE: 1:1
 REV: A5