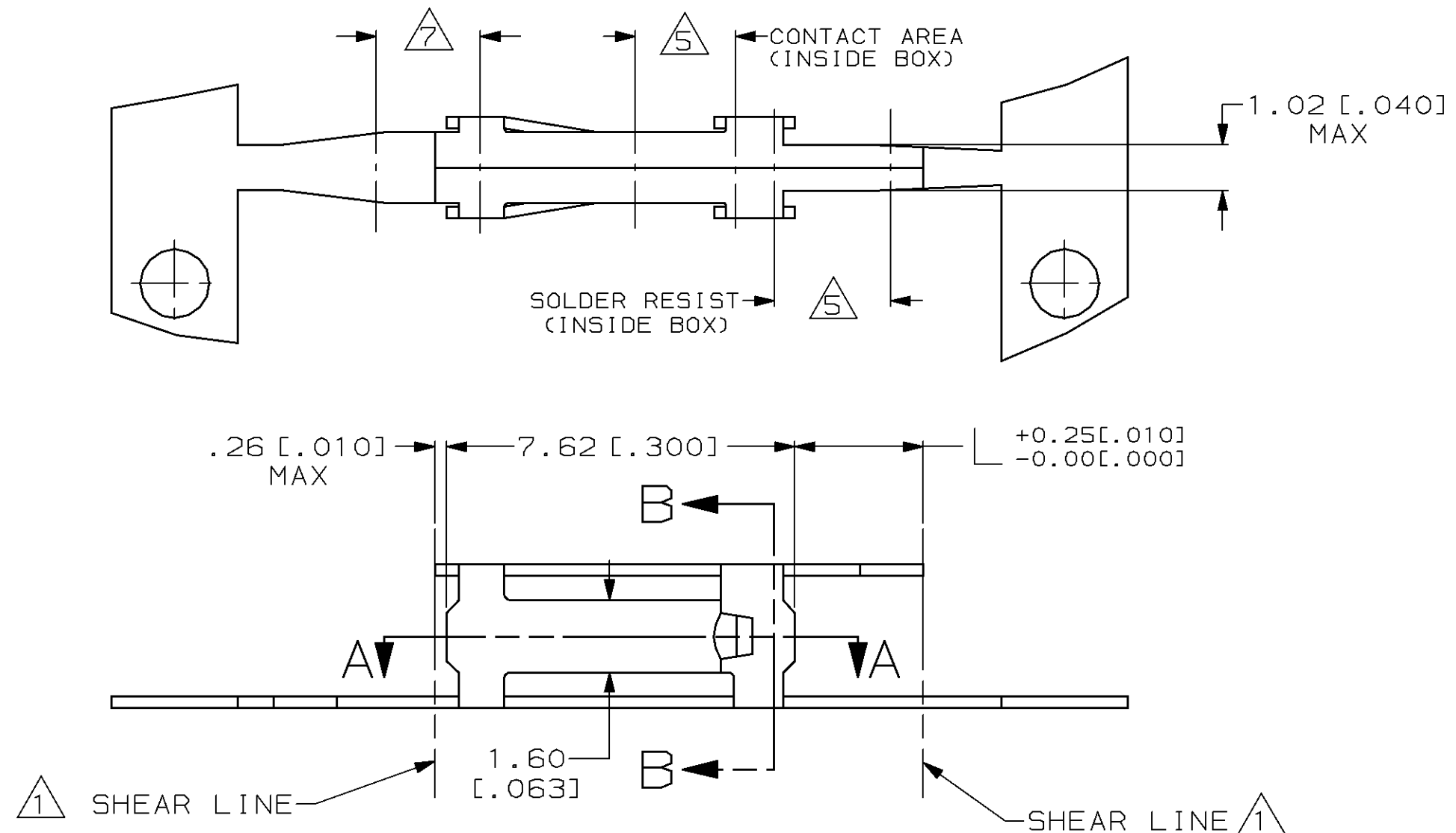
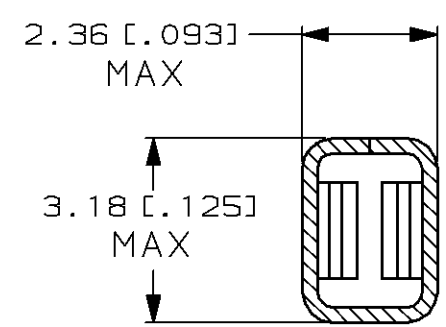
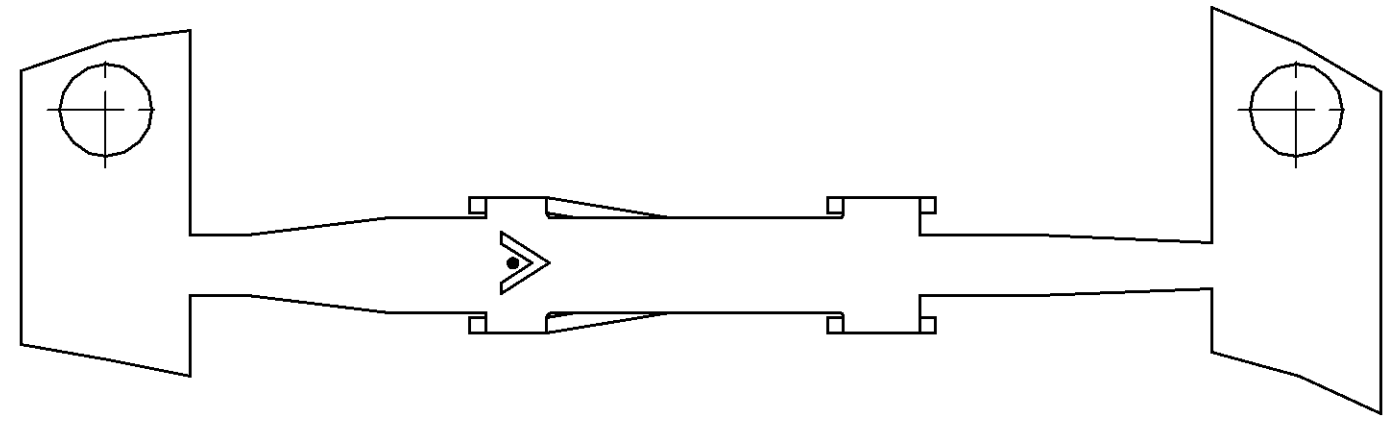


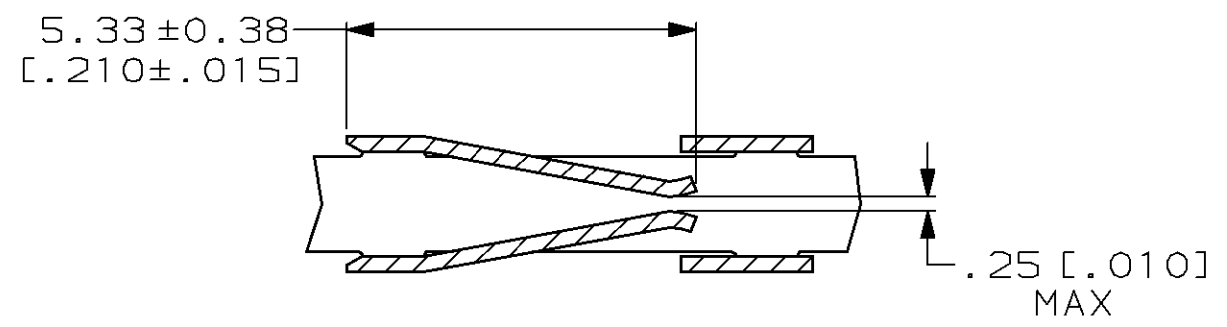
LOC	DIST	P	F	ZONE	LTR	DESCRIPTION	DATE	APPD
AD	39				G	REV PER 0010-1061-94	7-15-94	JH
					H	REV PER 0010-1175-95	12-30-96	JH



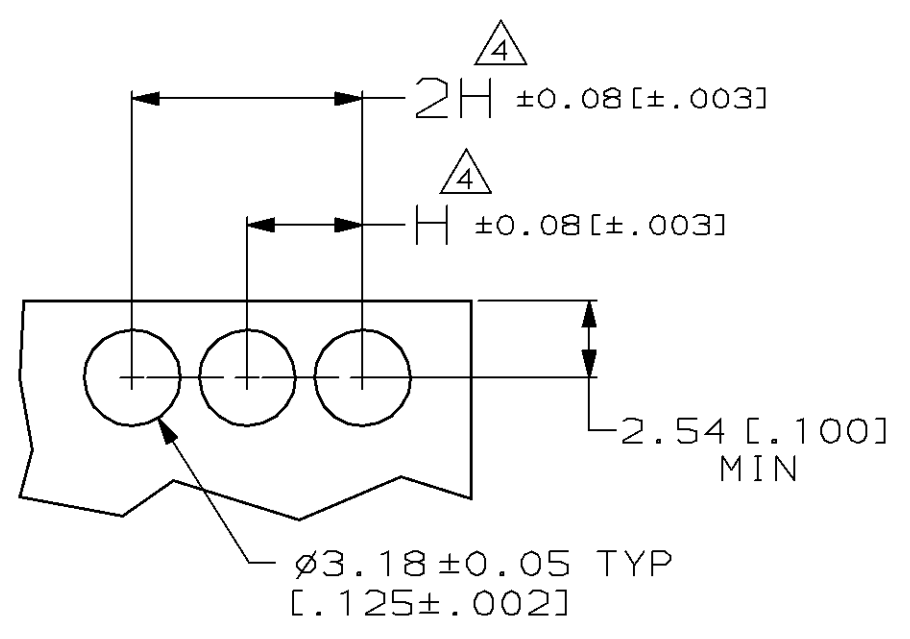
1. SHEAR LINES DEFINE LOOSE PIECE PART.
2. FOR USE WITH AMPMODU MINATURE APPLICATOR.
3. CONTACT MATERIAL: COPPER-NICKEL-TIN ALLOY 725.
4. "H", (RECEPTACLE CENTERS) MAY VARY DEPENDING ON REQUIREMENTS. MINIMUM NOMINAL CENTER SPACING BETWEEN ADJACENT RECEPTACLES IS 3.81±0.08 [.150±.015].
5. FINISH: 0.00076 [.000030] MIN W.E. #1 ALLOY OVER 0.00127 [.000050] MIN NICKEL INLAID INTO CONTACT AREA, 0.01270 [.000500] MIN ALUMINUM INLAID INTO SELECT AREA OF SOLDER TINE, REMAINDER UNFINISHED.
6. A MILDLY ACTIVATED FLUX IS REQUIRED TO SOLDER.
7. IF ALT'N STOCK IS USED SOLDER RESIST WILL APPEAR IN THIS AREA ALSO.



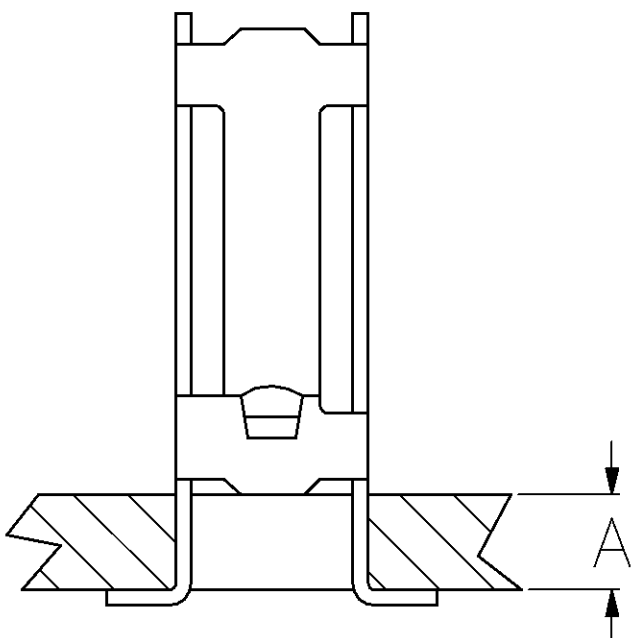
SECTION B-B



SECTION A-A



RECOMMENDED P.C. BOARD LAYOUT



TYPICAL APPLICATION

OBSOLETE	1.40/1.78 [.055/.070]	3	5	2.85 [.112]	87778-2	87774-2
	1.40/2.62 [.055/.103]	3	5	3.68 [.145]	87778-1	87774-1
	A	MATERIAL	FINISH	TINE LENGTH	LOOSE PIECE PART NO	PART NUMBER
		7				

DO NOT SCALE PRINT. UNLESS SPECIFIED DIMENSIONS IN mm [INCHES] TOLERANCES ON : 2 PLC DEC ± - 3 PLC DEC ± 0.13 [.005] ANGLES ± -		DR 7-15-94 E. BRANDBERG CHK 7-15-94 J. HERRINGTON APPD 7-15-94 J. HERRINGTON APPD 7-15-94 D. DUPLER		AMP Incorporated Harrisburg, PA 17105-3608	
MATERIAL	SEE TABLE	PRODUCT SPEC	-	CONTACT, FEMALE, MOD I, TYPE "B", STAN. PRESS. (FOR ROUND MTG. HOLE)	
FINISH	- SEE TABLE	APPLICATION SPEC	-	SIZE	CAGE CODE
				C	00779
WEIGHT	-			DRAWING NO	C=87774
				SCALE	8:1
				SHEET	1 OF 1

THIS DRAWING IS A CONTROLLED DOCUMENT FOR AMP INCORPORATED. IT IS SUBJECT TO CHANGE AND THE CONTROLLING ENGINEERING ORGANIZATION SHOULD BE CONTACTED FOR THE LATEST REVISION.