

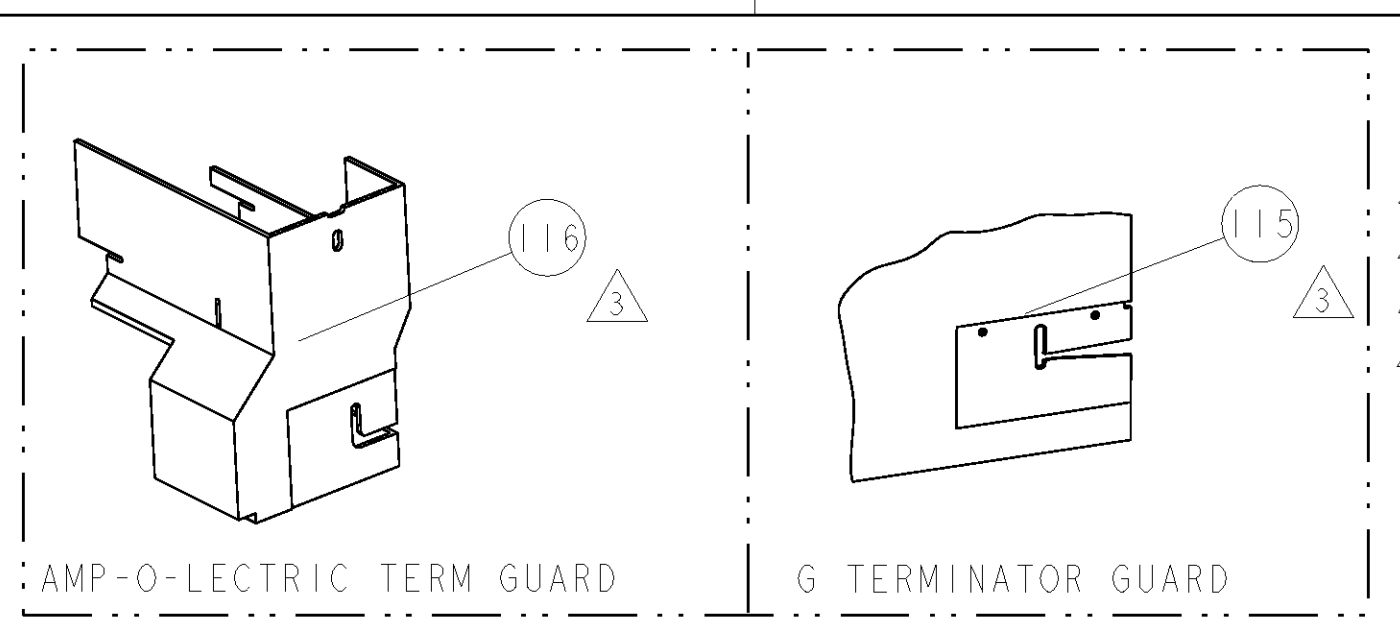
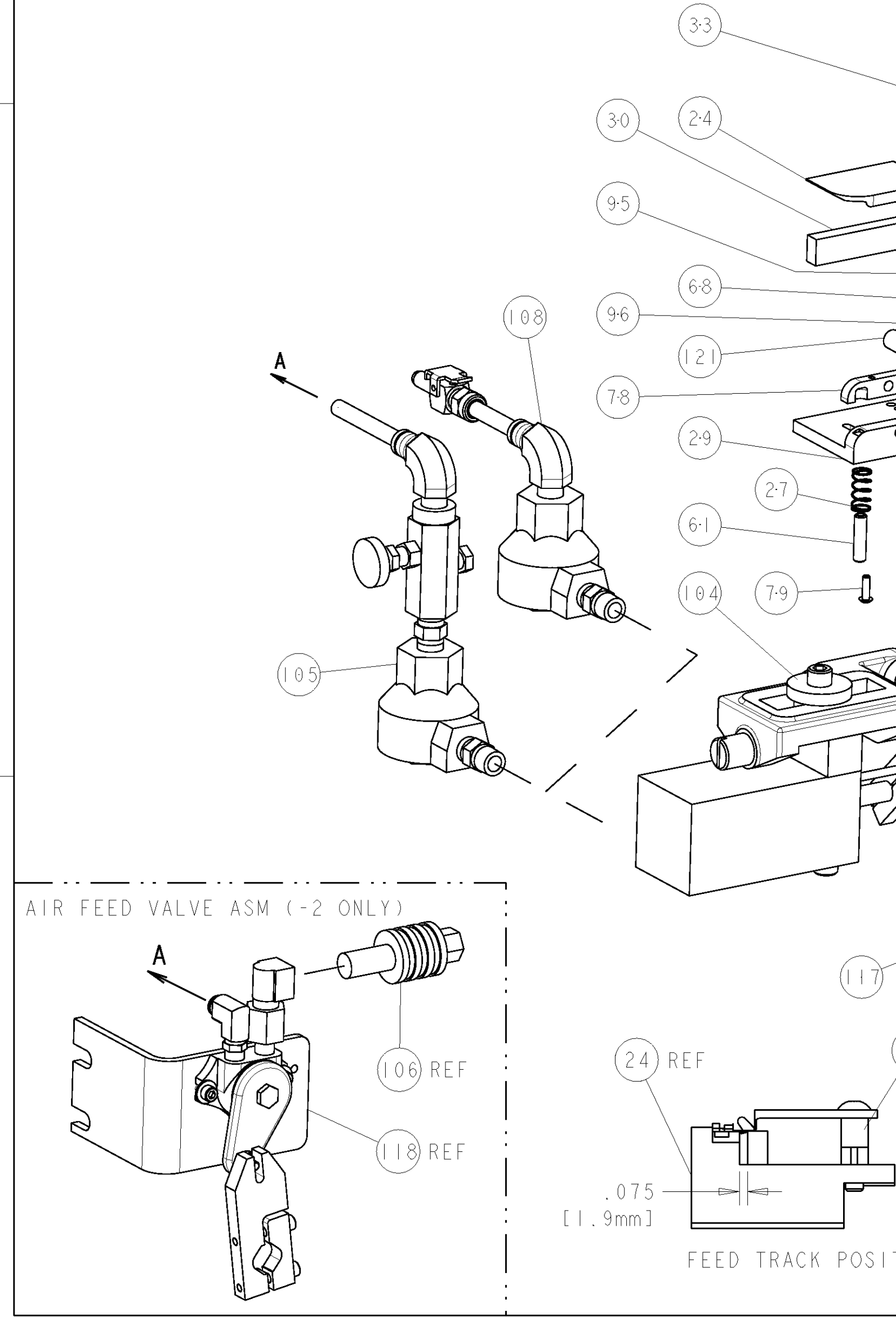
PART NUMBER	REV	FIRST USED	POWER UNIT	FEED TYPE	DESCRIPTION
1852725-1	B	122500-1	LEADMAKER	AIR FEED	CUTS CARRIER
1852725-2	A	565435-5	BENCH MODEL K	AIR FEED	CUTS CARRIER
1852725-3	A	354500-1	BENCH MODEL G	AIR FEED	CUTS CARRIER
7-1852725-7	A	-	-	-	SPARE PARTS

- 1 RECOMMENDED SPARE PARTS
- 2 GREASE LIGHTLY
- 3 GUARD MUST BE IN PLACE WHEN OPERATING APPLICATOR IN A BENCH MACHINE
- 4 INSTALL ITEMS 101, 102, & 119 ON SIDE OF STRIPPER ON APPL HOUSING USING ITEM 21.
- 5 FOR LARGE INSULATION DIAMETER PER TERMINAL MANUFACTURER .043-.067[1.09-1.70mm].
- 6

TE TERM PART NO	MOLEX PART NO	WIRE RANGE	INSULATION RANGE
286698-4	08-52-0101	30-22AWG or 0.05-0.35mm2	Ø1.09-1.57mm [1.043-.062]
286698-5	08-65-0815		
286698-6	08-65-0813		
286698-7	97-00-0444	28-22AWG or 0.08-0.35mm2	Ø1.20-1.70mm [1.047-.067]
1949741-1	08-70-0048		
1949741-2	08-70-0064		

- 7 ITEM 228 WIRE DISC PIN, 7-354779-1 ONLY TO BE USED WITH 30AWG WIRE FOR TERMINALS INDICATED IN CRIMP HEIGHT TABLE.
- 8. THE FOLLOWING TERMINALS CAN NOT RUN ON THIS APPLICATOR DUE TO THE DIFFERENCE IN CRIMP HEIGHTS.

TE PART NO	MOLEX PART NO
286698-1	08-50-0113
286698-2	08-55-0101
286698-3	08-56-0109



TE P/N		MOLEX P/N		MOLEX TERMINAL - MOLEX CRIMP SPECS	
286698-4	08-52-0101	MOLEX TERMINAL - MOLEX CRIMP SPECS			
286698-5	08-65-0815	PAD LTR	CRIMP HEIGHT	WIRE SIZE	
286698-6	08-65-0813	A	0.81±0.03mm [1.032±.001]	22AWG or 0.35mm2	
286698-7	97-00-0444	B	0.76±0.03mm [1.030±.001]	24AWG or 0.2mm2	
1949741-1	08-70-0048	C	0.71±0.03mm [1.028±.001]	26AWG or 0.12mm2	
1949741-2	08-70-0064	D	0.69±0.03mm [1.027±.001]	28AWG or 0.08mm2	
		CRIMP	SIZE	TYPE	RANGE
-		WIRE	1.38mm [1.054]	F	6
-		INSUL	1.95mm [1.077]	F	5 6
WIRE STRIP LENGTH 2.54-3.18mm [1.100-.125]	TERM APPL SPEC NONE	FEED 5.08mm [1.900]	APPLICATOR INSTRUCTIONS 408-8040		SET UP GAGE 458637-1

ADDITIONAL CRIMP HEIGHTS	
CRIMP HEIGHT	WIRE SIZE
0.645±0.015mm [1.0255±.0005]	30AWG or 0.05mm2

LOC		REV		DESCRIPTION		DATE	BY	CHK	APPV
A	66			RELEASED		22OCT2008	LG	GB	
		B		ECR-10-015326		26JUL2010	MY	TE	

REF	QTY	UNIT	PART NO	DESCRIPTION	ITEM NO
-	-	-	455749-1	GUARD WINDOW	116
-	REF	-	679532-1	INSERT, GUARD	115
-	1	1	690603-1	SPRING ASSIST AMP-O-MATOR APPLICATOR	112
-	1	1	3-21001-5	SCR, SKT HD CAP 3/8-16 X 1.000	111
-	1	1	459610-1	MOUNT, FEED BRACKET	110
-	1	1	21024-8	WASHER, SPRG LOCK, REG 3/8	109
-	1	1	692655-7	AIR FEED VALVE ASSEMBLY	108
-	REF	-	24024-2	VALVE, SHUT OFF	106
-	1	1	692655-5	AIR FEED VALVE ASSEMBLY	105
-	1	1	461065-1	ASSEMBLY, AIR FEED	104
-	2	2	3-21000-9	SCR, SKT HD CAP 10-32 X 1.000	103
-	1	1	986220-3	CLAMP, CABLE, BLACK	102
-	1	1	23238-1	INSERT, COUPLING	101
-	2	2	2-21002-1	SCR, BTN SKT HD CAP 8-32 X .375	98
-	1	1	2-690712-4	FRONT STRIP GUIDE	96
-	2	2	1-21000-4	SCR, SKT HD CAP 4-40 X .375	95
-	1	1	8-21000-7	SCR, SKT HD CAP 10-32 X 2.500	93
-	1	1	2-21000-7	SCR, SKT HD CAP 8-32 X .500	88
-	1	1	1-455888-3	SPACER, CRIMPER	82
-	2	2	1-21002-4	SCR, BTN SKT HD CAP 4-40 X .375	79
-	1	1	1-189807-5	FENCE	78
-	1	1	4088040	SF APPL INST 408-8040	72
-	1	1	217238-1	GENERAL INSTRUCTION PKG	71
-	2	2	21024-2	WASHER, SPRG LOCK, REG NO 4	68
-	1	1	461264-1	PLATE, IDENTIFICATION	67
-	2	2	21017-2	SCREW, DRIVE	66
-	1	1	986950-1	WASHER, FLAT PRECISION	64
-	1	1	21009-2	SCR, SET, SELF LOCKING 1/4-20 X .250	63
-	1	1	23030-1	SCR, SKT HD CAP 6-32 X .25	62
-	2	2	5-21006-6	SCR, SET, CUP POINT 10-32 X .750	61
-	1	1	22733-8	SCR, BHSC, SELF-LOCKING, 8-32 X .375	60
-	1	1	2-22603-0	SCR, HEX HD CAP 8-32 X .312	59
-	1	1	3-694433-7	FEED PAWL	56
-	2	2	3-21000-0	SCR, SKT HD CAP 8-32 X .875	53
-	1	1	1583893-8	HOLDER, SLUG BLADE	50
-	1	1	1633399-1	APPL., BASIC AIR FEED SUB ASSY	46
-	1	1	690191-1	PLUG, NYLON	45
-	1	1	455673-6	RAM, SIDE FEED	44
-	1	1	690125-1	SHIM SUB-ASSY	43
-	1	1	690124-1	WASHER, RAM (.115)	42
-	1	1	7-21002-9	SCR, BTN SKT HD CAP 5/16-24 X 1.00	41
-	1	1	23241-6	BALL, STEEL	40
-	1	1	690170-1	SPRING, COMPRESSION	39
-	1	1	690142-1	DISC, INSULATION	38
-	1	1	354777-1	WIRE DISC, ASSEMBLY	37
-	1	1	22480-5	SPRING, COMPRESSION	36
-	1	1	690212-1	POST, RAM	35
-	2	2	2-21002-4	SCR, BTN SKT HD CAP 8-32 X .750	33
-	3	3	21024-5	WASHER, SPRG LOCK, REG NO 10	32
-	1	1	3-21000-4	SCR, SKT HD CAP 10-32 X .375	31
-	1	1	1320908-5	SPACER, STRIP GUIDE	30
-	1	1	1-1633087-1	PLATE, STRIP GUIDE	29
-	2	2	8-22281-7	SPRING, COMPRESSION	27
-	1	1	356835-1	LEVER, DRAG RELEASE	26
-	1	1	5-690754-2	DRAG, SPECIAL	25
-	1	1	1-1320928-0	PLATE, STRIP GUIDE	24
-	1	1	22353-8	SCR, SHLD, SLOT HD, 3/16 DIA	23
-	1	1	2-21000-7	SCR, SKT HD CAP 8-32 X .500	21
-	2	2	21024-4	WASHER, SPRG LOCK, REG NO 8	20
-	1	1	1-456468-4	STRIPPER, SPECIAL	19
-	1	1	1633578-2	PLATE, REAR SHEAR	15
-	-	-	-	-	13
-	-	-	-	-	12
-	1	1	1633579-2	BLADE, SLUG	10
-	-	-	-	-	9
-	1	1	1633610-1	ANVIL, SPECIAL	8
-	-	-	-	-	7
-	-	-	-	-	6
-	1	1	4-240641-9	SPACER	5
-	1	1	3-238009-5	BLOCK, FL CRIMPER SPACER	4
-	1	1	1633511-8	CRIMPER, INSULATION F	3
-	1	1	455888-2	SPACER, CRIMPER	2
-	1	1	2-1633305-2	CRIMPER, WIRE PREMIUM	1

REF	QTY	UNIT	PART NO	DESCRIPTION	ITEM NO
-	REF	REF	7-354779-1	PIN, WIRE DISC, .3345	228
-	2	2	6-354779-4	PIN, WIRE DISC, .3310	129
-	2	2	6-354779-2	PIN, WIRE DISC, .3300	128
-	2	2	5-354779-8	PIN, WIRE DISC, .3280	127
-	2	2	5-354779-6	PIN, WIRE DISC, .3270	126
-	1	1	1-22281-8	SPRING, COMPRESSION	121
-	42	21	42 IN	TUBING, POLY-FLO, NATURAL	119
-	REF	-	692655-6	AIR FEED VALVE ASSEMBLY	118
-	1	1	461062-1	FEED FINGER ASSEMBLY	117
-77	-3	-2	-1	U/M PART NO	DESCRIPTION ITEM NO

TOLERANCES UNLESS OTHERWISE SPECIFIED:

DIMENSIONS:	INCHES	TOLERANCES UNLESS OTHERWISE SPECIFIED:	
9 PLC	± .01	3 PLC	± .01
3 PLC	± .01	5 PLC	± .001
4 PLC	± .001	10 PLC	± .0001

DATE: 02SEPT2008
 DWN: T.L. GROSS
 CHK: G. BAILEY
 APV: M. DEWING
 PRODUCT SPEC: -
 APPLICATION SPEC: -

tyco Tyco Electronics
 Harrisburg, PA 17105-3608

NAME: SIDE FEED HDM APPLICATOR
 SIZE: A | CAGE CODE: 00779 | DRAWING NO: 1852725
 RESTRICTED TO: -
 WEIGHT: -
 FINISH: -
 CUSTOMER ACCESSIBLE PRODUCTION DRAWING | SCALE: 3:5 | SHEET: 1 OF 1 | REV: B