

4

3

2

1

THIS DRAWING IS UNPUBLISHED.

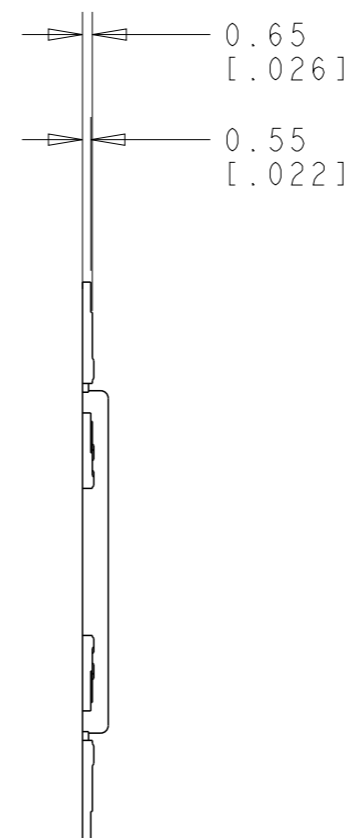
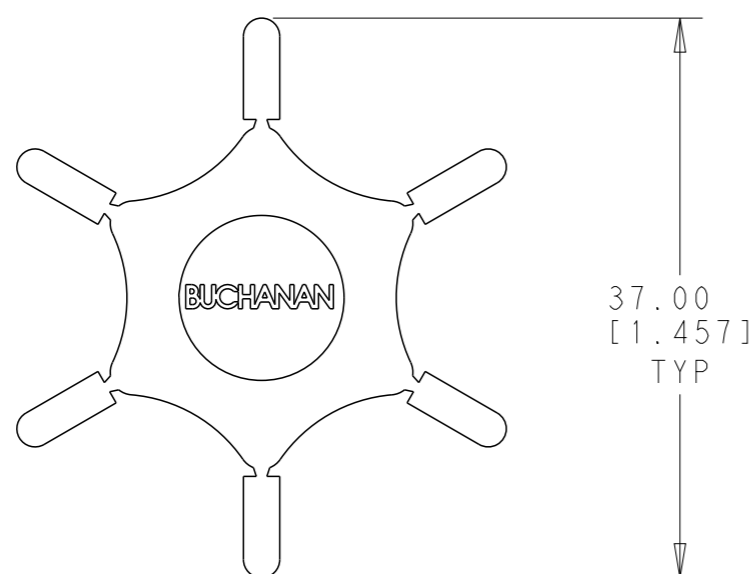
RELEASED FOR PUBLICATION

20

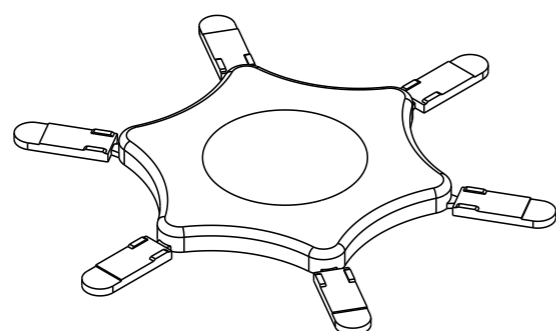
© COPYRIGHT 20 BY -

ALL RIGHTS RESERVED.

LOC	DIST	REVISIONS					
		P	LTR	DESCRIPTION	DATE	DWN	APVD
-	-		A	NEW DRAWING	17SEP2012	KH	MB



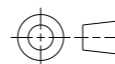
1 TEMPERATURE RATING 110°C [230°F]



RED	PA 6-6, UL94-V0	1546051-1
COLOR	MATERIAL	PART NUMBER

THIS DRAWING IS A CONTROLLED DOCUMENT.

DIMENSIONS:  
MM[INCHES]



TOLERANCES UNLESS OTHERWISE SPECIFIED:

0 PLC	±-
1 PLC	±-
2 PLC	±0.15[.006]
3 PLC	±-
4 PLC	±-
ANGLES	±-
FINISH	-

MATERIAL

-

FINISH

-

DWN 17SEP2012

KIRAN HOLAL

CHK 17SEP2012

MARK BRUBAKER

APVD 17SEP2012

MARK BRUBAKER

PRODUCT SPEC

108-20166

APPLICATION SPEC

114-20079

WEIGHT

-

Customer Drawing

NAME	POLARIZATION KEY FOR 3.5/3.81MM TERMINAL BLOCK HEADERS	
SIZE	CAGE CODE	DRAWING NO
A3	00779	C-1546051



TE Connectivity

POLARIZATION KEY FOR 3.5/3.81MM  
TERMINAL BLOCK HEADERS

RESTRICTED TO	-	
SCALE	SHEET	REV
2:1	1 OF 1	A