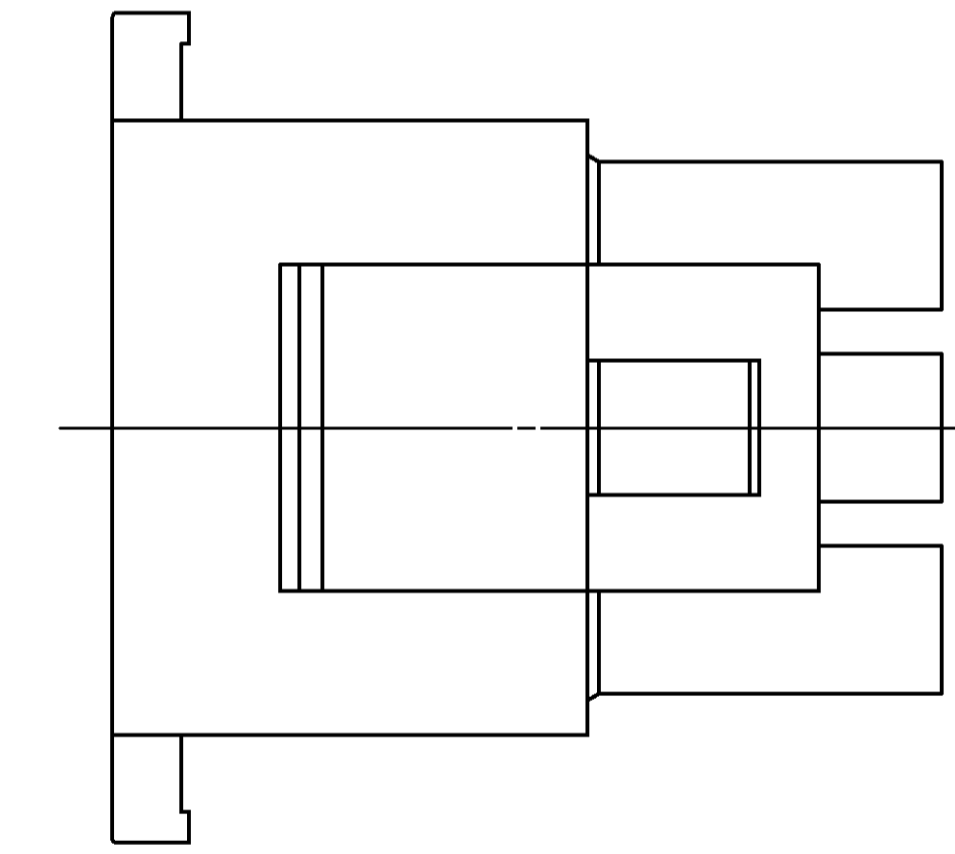


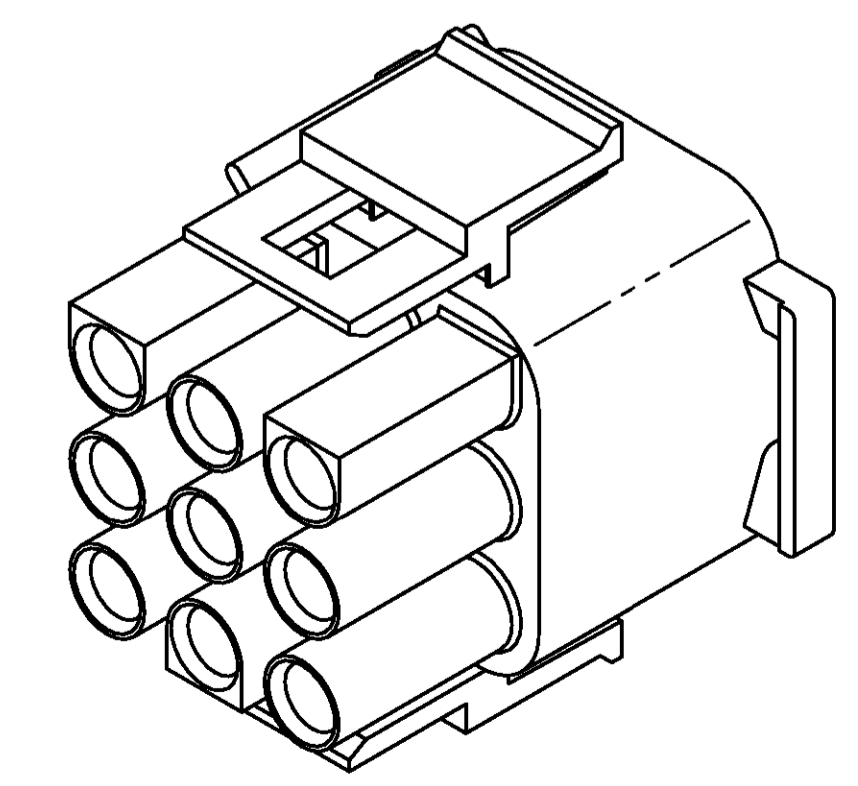
A ↑ 27.43 ±0.38 ↓ A



VIEW A-A

Bemerkungen
REMARKS

- 1 Nestkennzeichnung und AMP Logo an dieser Stelle vorgesehen.
LOCATION OF MOLD CAVITY IDENTIFICATION AND AMP LOGO
- 2 Mittelschrift 1,2 DIN 1451.
CHARACTERS .050 HIGH, RAISED .002-.005 WITH .010-.015 FLAT ON TOP.
- 3 Teile entsprechen der AMP Spec. 115-1003.
PARTS ACCORDING TO AMP SPEC. 115-1003.



3-DIMENSIONAL MODEL NTS

CUSTOMER PART NO	AMP PART NO	REV.	PCS.	MATERIAL	SURFACE COLOR	DESCRIPTION	ITEM NO
-	0-1241822-1	A	-	PAB.6 VL84 V-2	NATUR	PLUG, 9 CIRCUIT, UNIVERSAL MATE-N-LOCK	-
-	-	-	-	-	-	-	-

<p>THIS DRAWING IS UNCLASSIFIED, RELEASED FOR PUBLICATION DATE 08-20-2011 BY AMP INCORPORATED. ALL RIGHTS RESERVED. VERTRÄGLICHE UNVERÖFFENTLICHTE ZEICHNUNG, FREI FÜR VERÖFFENTLICHUNG, DATUM 08.20.2011, DURCH AMP INCORPORATED. ALLE RECHTE VORBEHALTEN.</p>		<p>DATE: 08-JUN-98 DRAWN: M. Pfeilschifter CHECKED: R. Blumenschein</p>		<p>AMP Deutschland GmbH D - 63225 Langen</p>	
<p>OTHERWISE SPECIFIED, ALL DIMENSIONS IN MILLIMETERS UNLESS OTHERWISE SPECIFIED.</p>		<p>ISO 9001 - MH-E DIN 16801 - 140</p>		<p>PRODUCT SPEC: PLUG, 9 CIRCUIT, UNIVERSAL MATE-N-LOCK</p>	
<p>FINISH/SURFACE COLOR</p>		<p>APPLICATOR SPEC</p>		<p>SIZE: A1 CAGE CODE: 00779 DRAWING NO: 1241811</p>	
<p>MATERIAL: NYLON, UL 94V-2</p>		<p>WEIGHT: -</p>		<p>RESTRICTED TO: -</p>	
<p>CUSTOMER DRAWING</p>		<p>SKIZZE/KUNDENZEICHNUNG</p>		<p>BLATT 1 VON 1</p>	