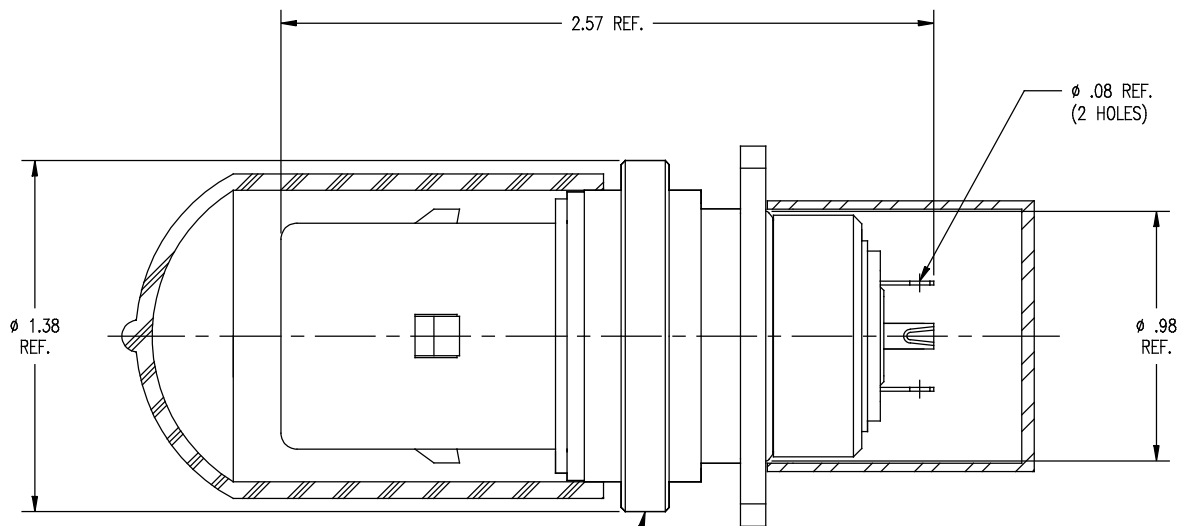


DASH NO.	M CODE	MADE FROM
----------	--------	-----------

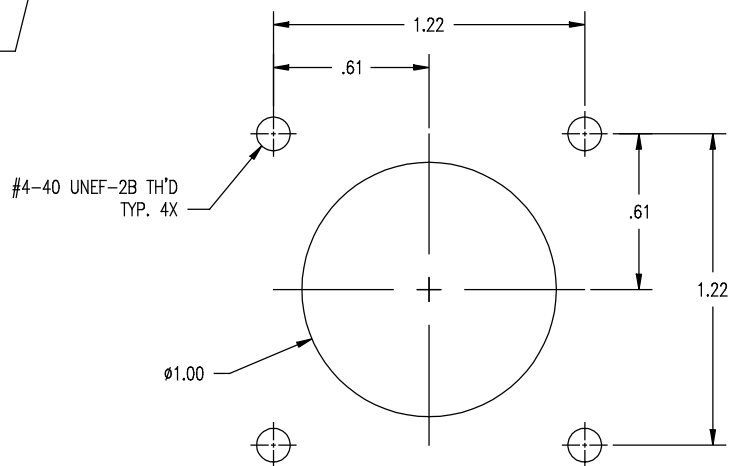
GSD

7707-1

REVISIONS	
ISSUE	CHANGES
0	ER 39334 JPK 09/27/05
1	CN 39561 E JPK 08/07/06



KINGS 7707-1
YRWK (DATE CODE)



#4-40 UNEF-2B TH'D
TYP. 4X

MOUNTING HOLES

GSD

NOTES:

- MATERIALS:
 - CAPS: VINYL
 - INSULATORS: TEFLON, ASTM-D4894
 - GASKETS: SILICONE RUBBER, A-A-59588
 - CONDUCTIVE GASKETS: CONSIL C 87-10004, 60-70 DUROMETER
 - RETAINING RING } SPRING STEEL, ASTM-A682
 - E-RING }
 - OUTER CONTACT: PHOSPHOR BRONZE, ASTM-B103
 - BODY: BERYLLIUM COPPER, ASTM-B196
 - ALL OTHER METAL PARTS: BRASS, ASTM-B16
- FINISHES:
 - CENTER CONTACT: GOLD PLATE, ASTM-B488
 - ALL OTHER METAL PARTS: NICKEL PLATE, SAE-AMS-QQ-N-290
- ELECTRICAL CHARACTERISTICS:
 - FREQUENCY RANGE: DC-500 MHZ
 - NOMINAL IMPEDANCE: 75 OHMS
 - VOLTAGE BREAKDOWN: CENTER CONDUCTOR TO INNER GROUND: 1500 VRMS
 - INNER GROUND TO OUTER GROUND: 500 VRMS
- SIMILAR TO: LEMO FBK-4A (MAY BE USED ON IKEGAMI HK-388P CAMERA)

7707-1SD

SCALE 2 : 1

APPROX SURFACE AREA N/A

USED ON

REF: EQR 930 & E-20348

RECEIPT, TRI-LOC, PANEL MT

DRAWN J. KENNEDY DATE 06/07/05

DESIGN J. KENNEDY DATE 06/07/05

APPR. DATE

KINGS
ELECTRONICS CO., INC.

ROCK HILL, SOUTH CAROLINA 29730

7707-1