

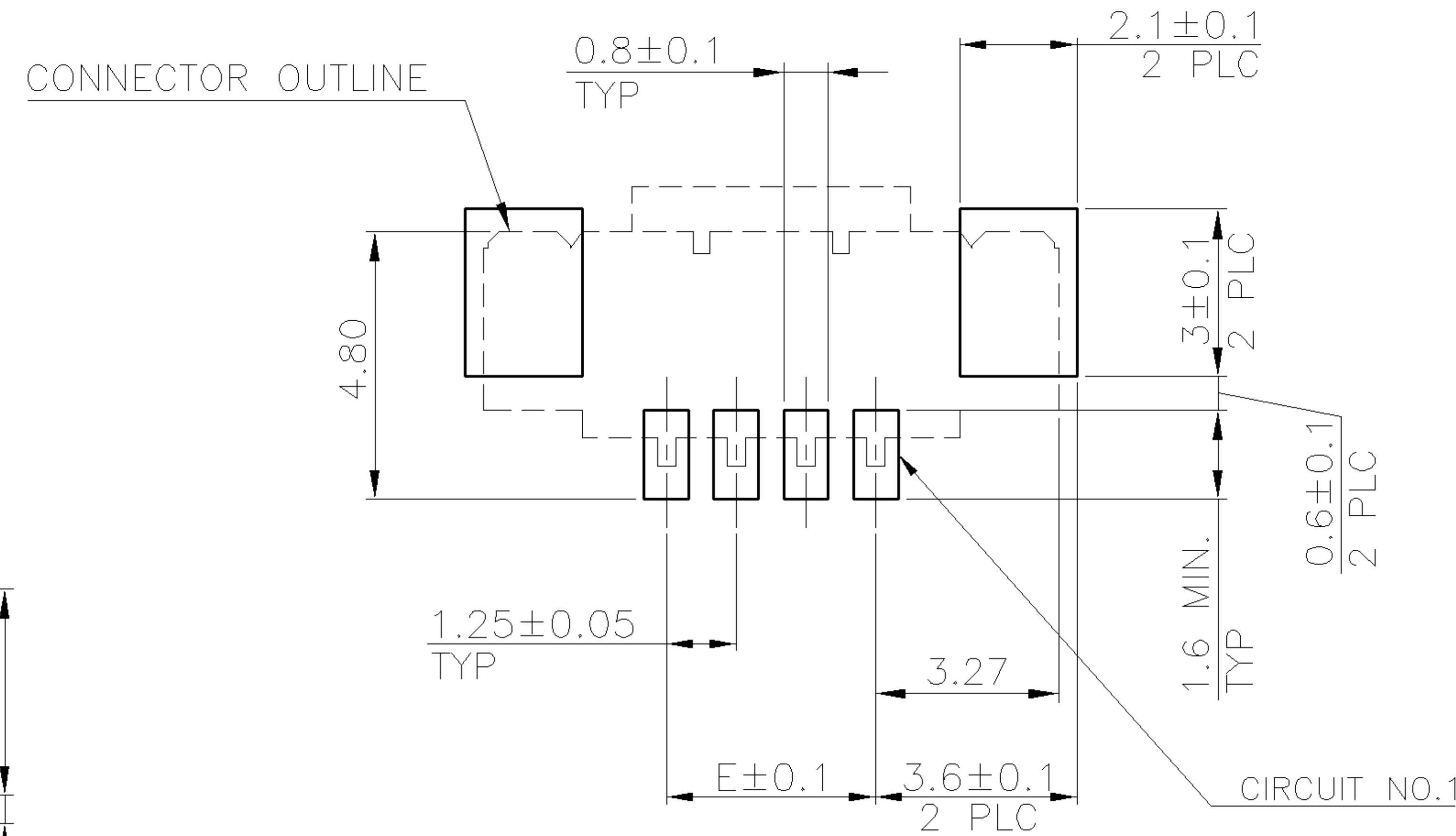
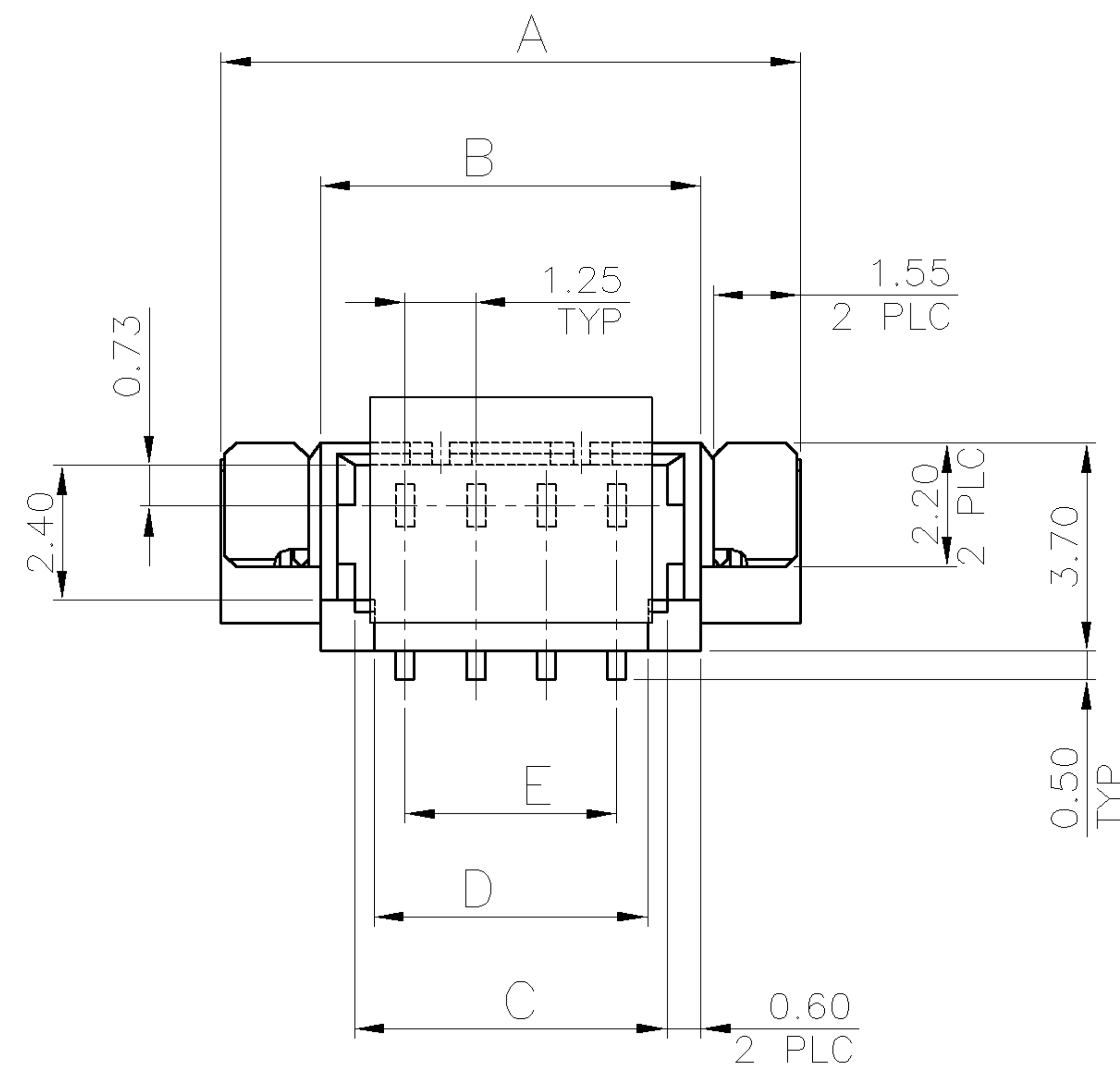
NUMBER
C-1775293



METRIC

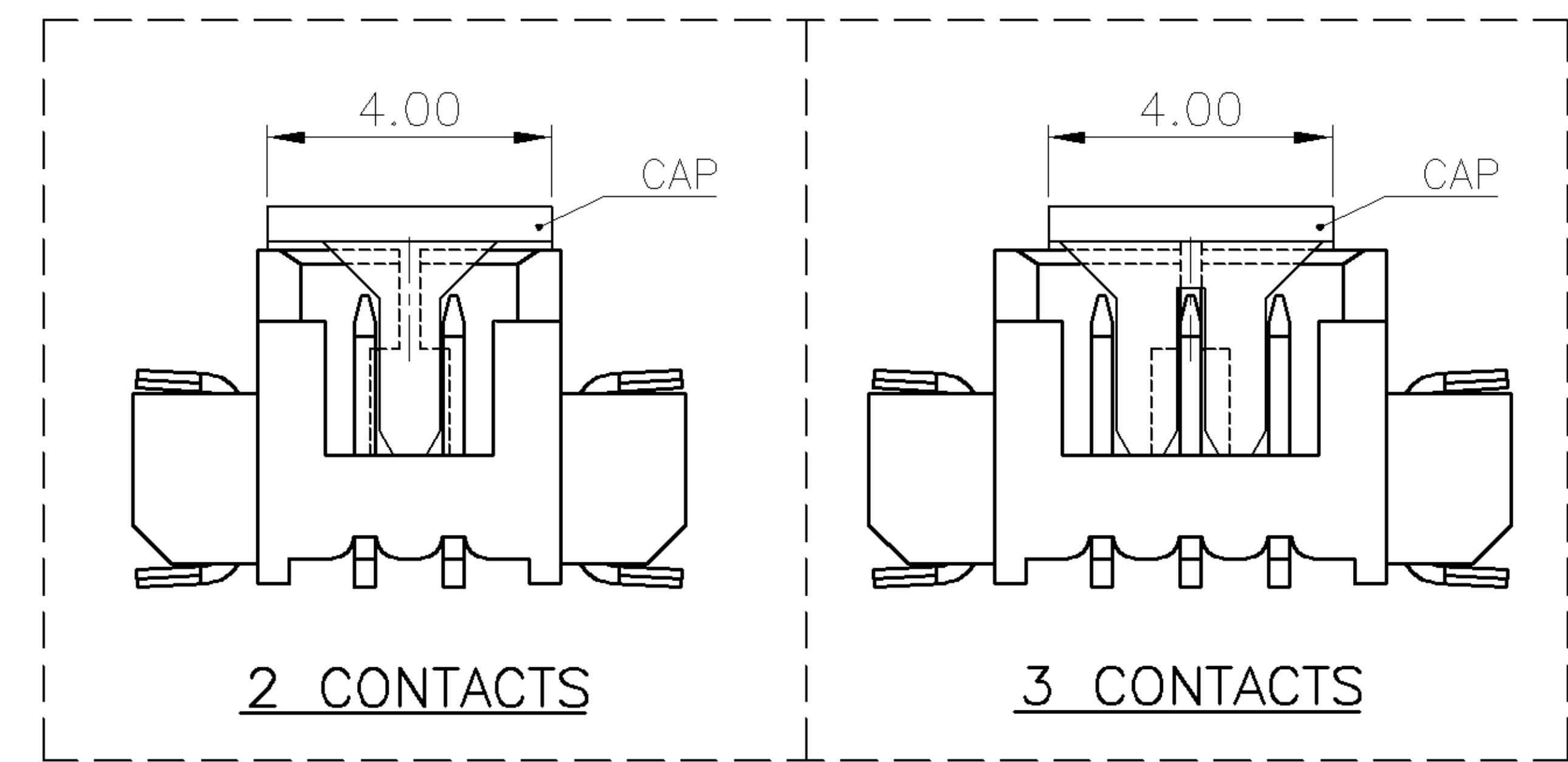
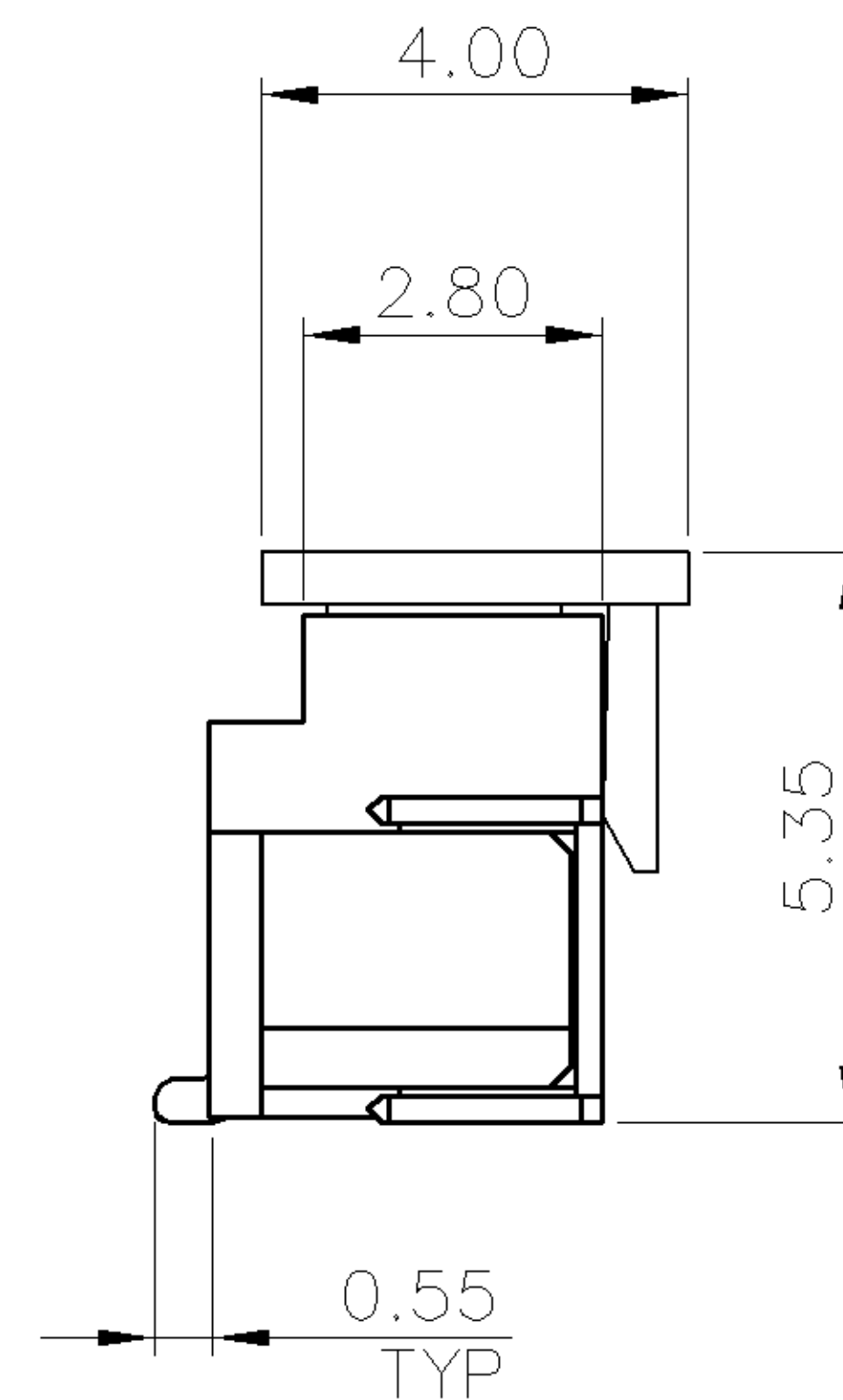
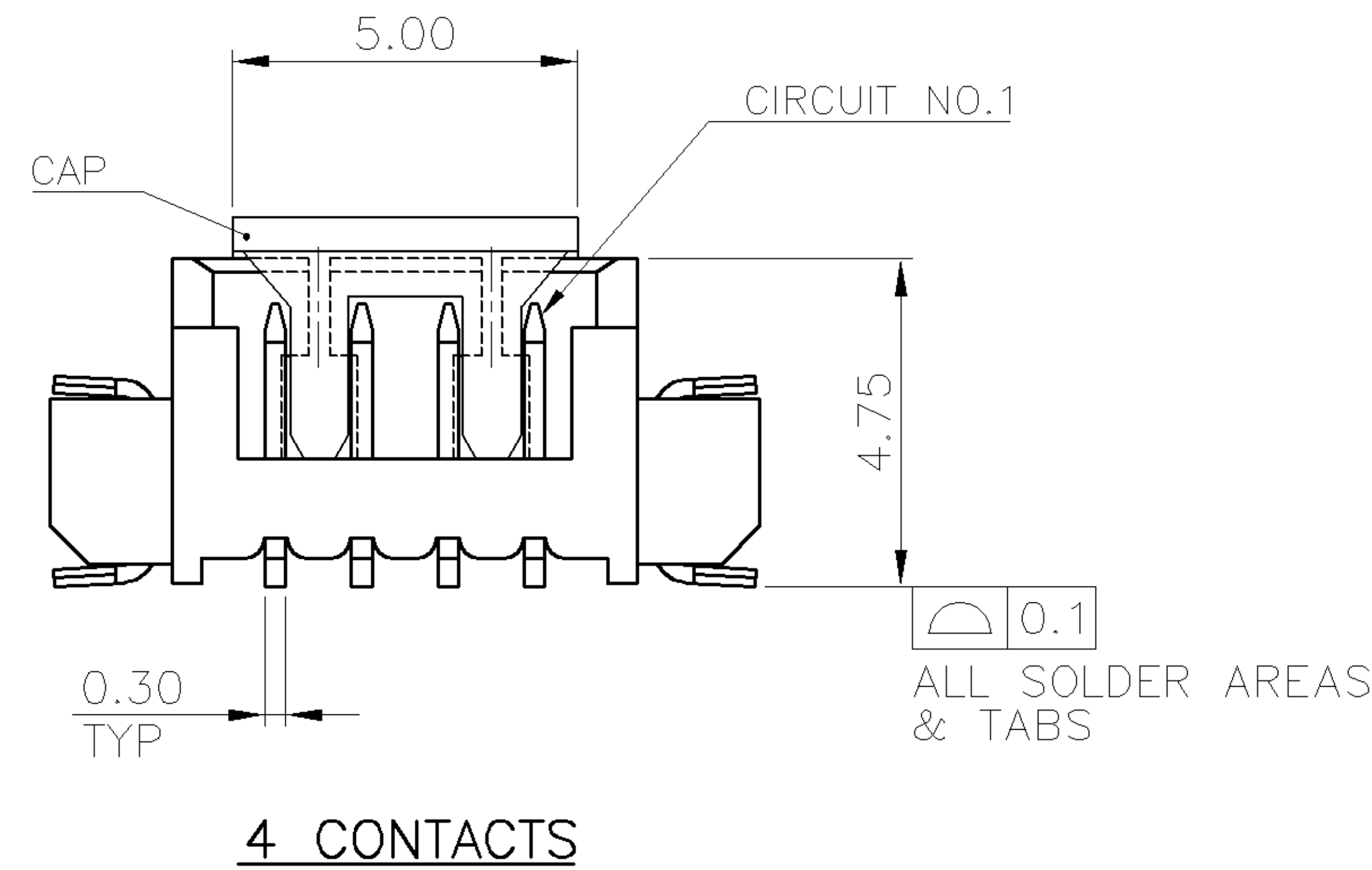
THIS INFORMATION IS CONFIDENTIAL AND IS DISCLOSED TO YOU ON CONDITION THAT NO FURTHER DISCLOSURE IS MADE BY YOU TO OTHER THAN AMP PERSONNEL WITHOUT WRITTEN AUTHORIZATION FROM AMP (TAIWAN) LTD. DIMENSIONS IN MILLIMETERS. DO NOT SCALE PRINT.

PRINT
DW



NOTE:

- MATERIAL:
HOUSING: THERMOPLASTIC WITH 33% GF, UL 94V-0, NATURE COLOR.
CAP: THERMOPLASTIC WITH 33% GF, UL 94V-0, NATURE COLOR.
CONTACTS: PHOSPHOR BRONZE.
TABS: PHOSPHOR BRONZE.
- FINISH:
CONTACTS: 120μ" MIN. MATTE-TIN OVER 50μ" MIN. NICKEL ON ENTIRE CONTACT.
TABS: 120μ" MIN. MATTE-TIN OVER 50μ" MIN. NICKEL.
- REFLOW SOLDER CAPABLE TO 260°C AS PER TYCO SPEC. 109-201, CONDITION B.
- PART NUMBER OF RECEPTACLE HOUSING & CONTACT: X-440146-X & 440147-X.
- NO TYCO LOGO & DATE CODE ON THE PRODUCT.



WITHOUT	0.19g	3.75	4.85	5.55	6.75	10.29	4	2-1775293-4
	0.18g	2.50	3.60	4.30	5.50	9.04	3	2-1775293-3
WITH	0.14g	1.25	2.35	3.05	4.25	7.79	2	2-1775293-2
	0.23g	3.75	4.85	5.55	6.75	10.29	4	1775293-4
	0.22g	2.50	3.60	4.30	5.50	9.04	3	1775293-3
CAP	0.18g	1.25	2.35	3.05	4.25	7.79	2	1775293-2
	WEIGHT	DIMENSIONS					NO. OF CONTACTS	PART NUMBER

TOLERANCES UNLESS OTHERWISE SPECIFIED: 0 PLC ±0.5 1 PLC ±0.38 2 PLC ±0.25 3 PLC ±0.15 ANGLES ±5°	DWN A. WU 04-JAN-2006	tyco TYCO HOLDINGS (BERMUDA) VII LTD. TAIWAN BRANCH	
MATERIAL SEE NOTE	CHK S. HOU 04-JAN-2006	NAME Electronics	
FINISH SEE NOTE	APVD W.J. KE 04-JAN-2006	1.25mm PITCH WIRE-TO-BOARD, PLUG, SMT, STRAIGHT TYPE	
	PRODUCT SPEC 108-57273	LOC DW	SIZE A ₃
	QUALIFICATION TEST REPORT 501-57299	DRAWING NO C-1775293	REV 01
	WEIGHT SEE TABLE	SCALE --	SHEET 1 OF 2

01	ADD PART NUMBERS	ECR-06-000114	AW SH	04JAN 2006
0	FIRST RELEASED	--	AW SH	11NOV 2005
LTR	REVISION RECORD	ECN	DWN CHK	DATE

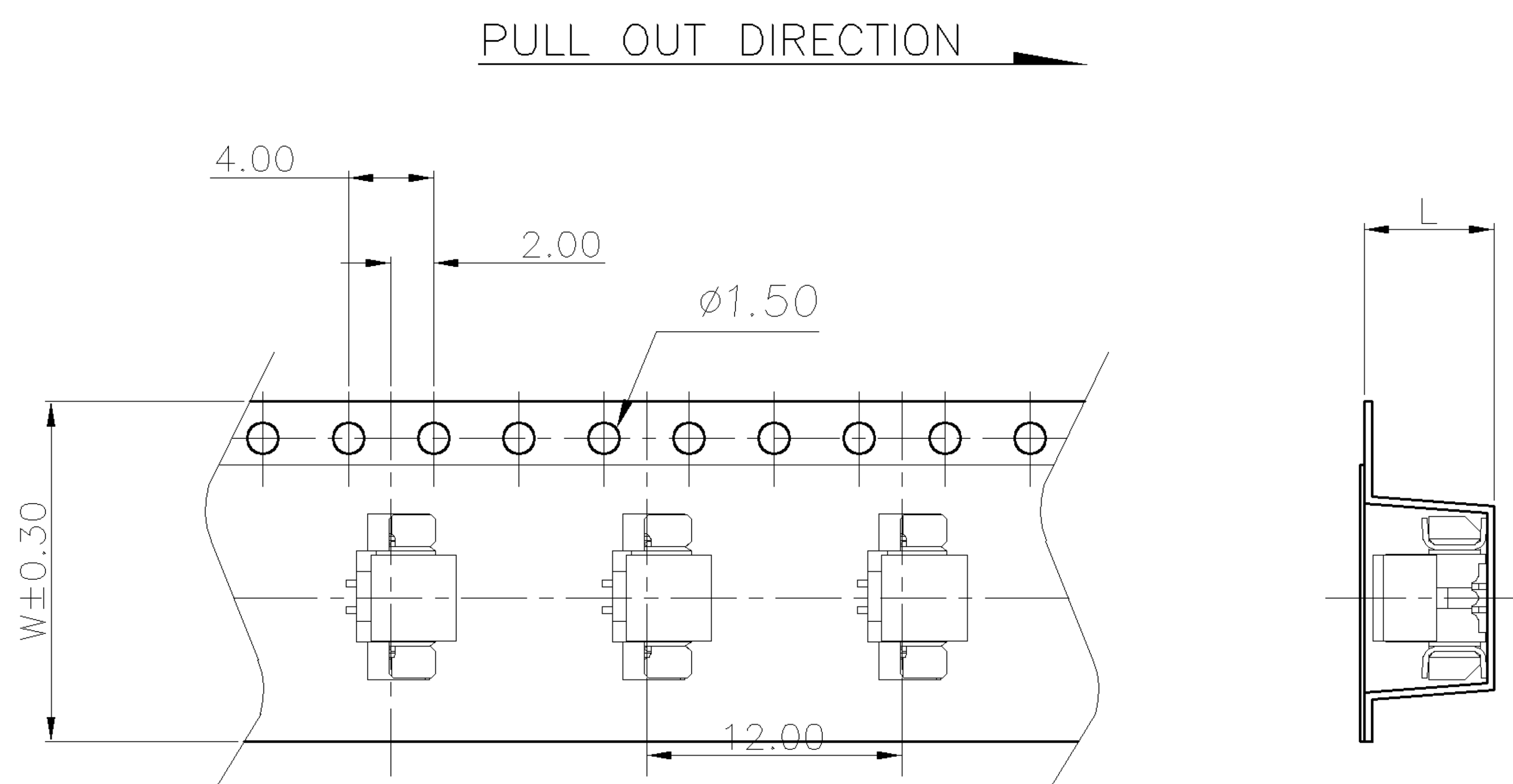
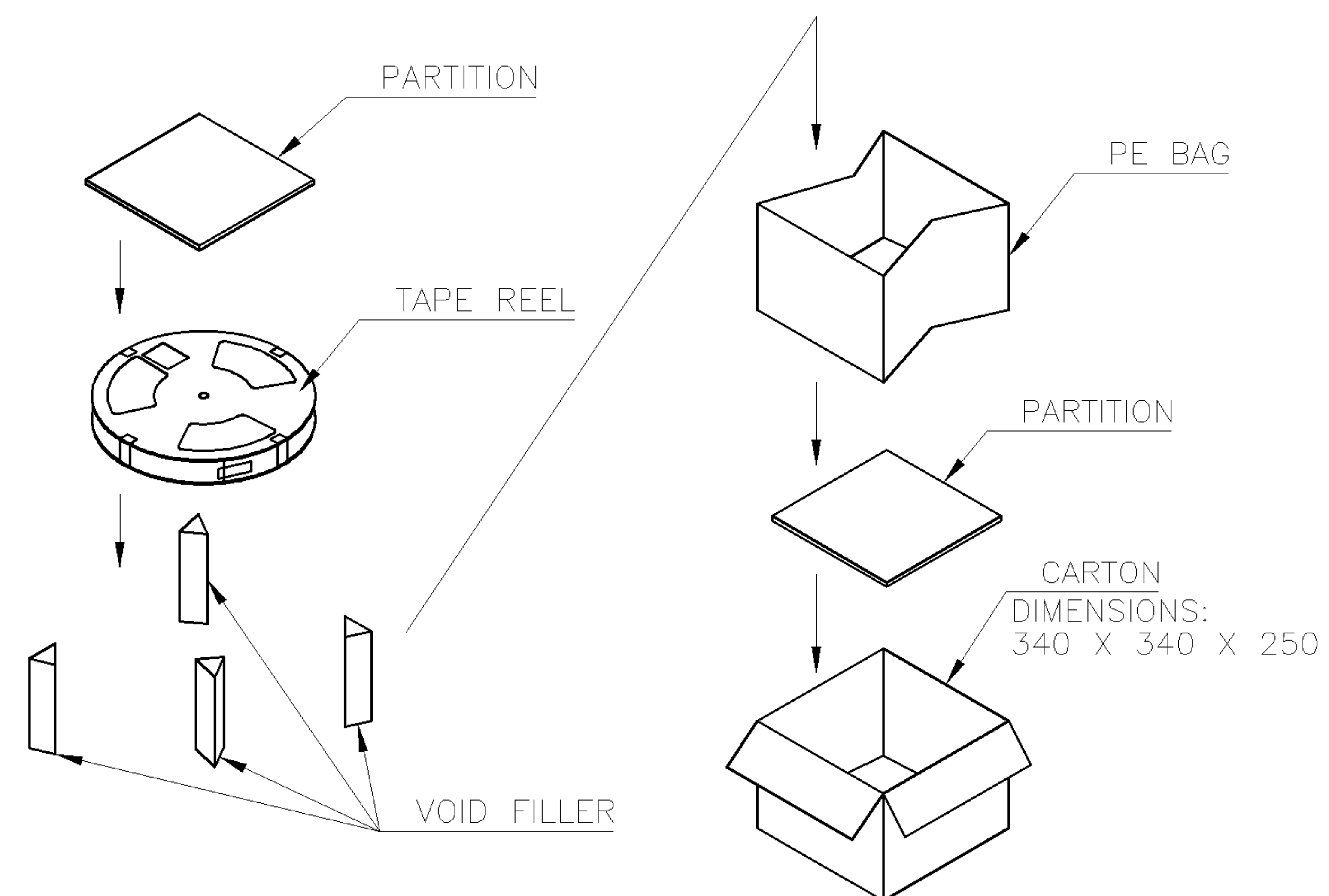
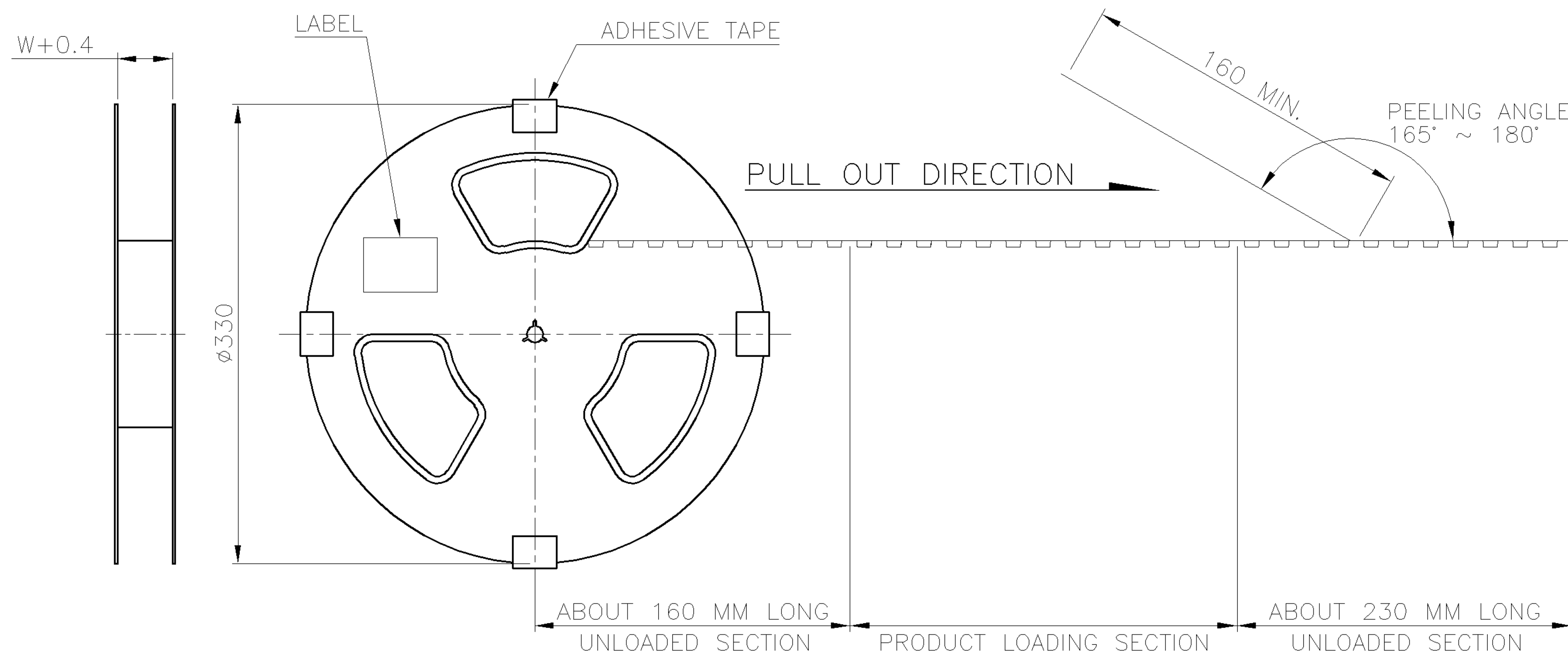
NUMBER
C-1775293

3RD ANGLE PROJECTION

METRIC

THIS INFORMATION IS CONFIDENTIAL AND IS DISCLOSED TO YOU ON CONDITION THAT NO FURTHER DISCLOSURE IS MADE BY YOU TO OTHER THAN AMP PERSONNEL WITHOUT WRITTEN AUTHORIZATION FROM AMP (TAIWAN) LTD. DIMENSIONS IN MILLIMETERS. DO NOT SCALE PRINT.

PRINT
DW



PCS/REEL	CAP	DIM L	DIM W	REELS/CARTON	QUANTITY	G/W (KG)	N/W (KG)	NO. OF CONTACTS
1000	WITHOUT	5.50	24	7	7000	5.00	1.27	4
			16	10	10000	5.60	1.80	3
1000	WITH	6.10	24	7	7000	5.43	1.61	4
						5.29	1.47	3
						5.15	1.33	2

TOLERANCES UNLESS OTHERWISE SPECIFIED: 0 PLC ±- 1 PLC ±- 2 PLC ±- 3 PLC ±- ANGLES ±-		DWN A. WU 04-JAN-2006	TYCO HOLDINGS (BERMUDA) VII LTD. TAIWAN BRANCH	
MATERIAL -		CHK S. HOU 04-JAN-2006	NAME tyco Electronics	
FINISH -		APVD W.J. KE 04-JAN-2006	1.25mm PITCH WIRE-TO-BOARD, PLUG, SMT, STRAIGHT TYPE	
		PRODUCT SPEC	LOC DW	SIZE A ₃
		APPLICATION SPEC	DRAWING NO C-1775293	REV 01
		WEIGHT	SCALE --	SHEET 2 OF 2

SEE SHEET 1.	ECN	DWN	CHK	DATE
LTR	REVISION RECORD			