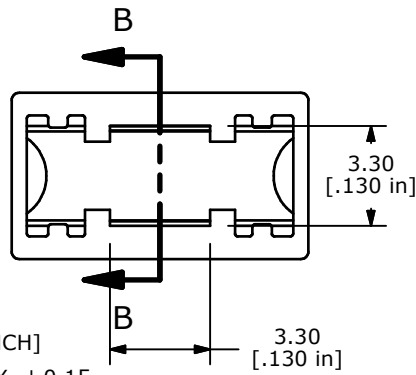
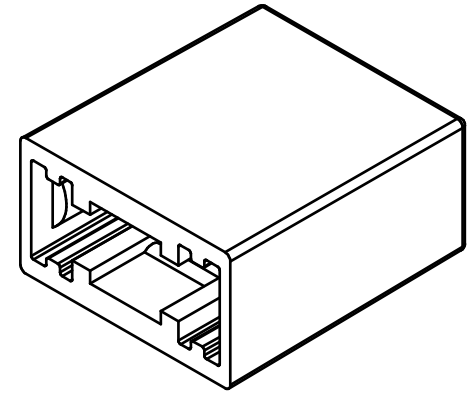
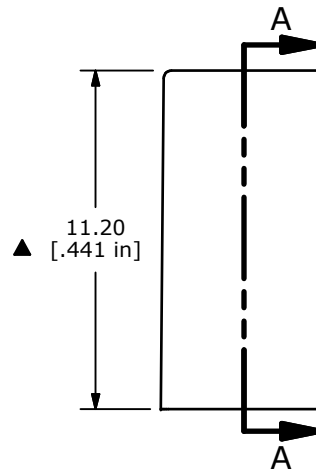
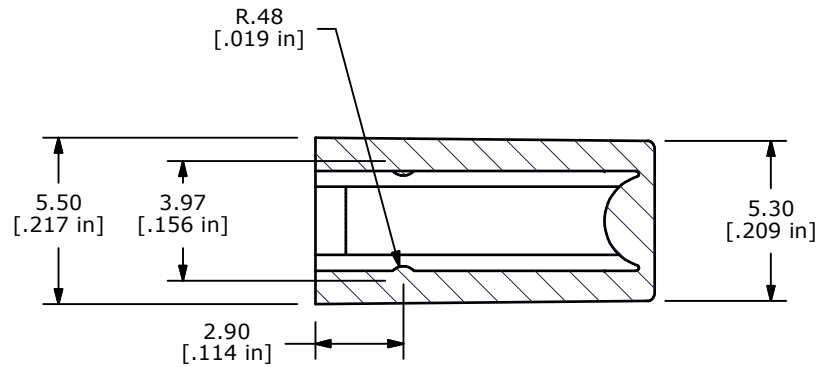


SECTION A-A
SCALE 4 : 1



SECTION B-B
SCALE 4 : 1



NOTE:

1. ALL DIMENSIONS IN MM[INCH]
2. GENERAL TOLERANCE: X.XX \pm 0.15
- ▲3. MATERIAL: ABS UL94HB
- ▲4. COLOR: BLACK, PANTONE 3C
5. ▲ DENOTES CRITICAL PARAMETER
6. 2002/95/EC (ROHS) COMPLIANT



B	17591	CHANGED DIM. 2.85 TO 2.90	8/27/07	BF
A	15248	NEW RELEASE	9/7/05	PH
REV	PCR NO	DESCRIPTION	DATE	BY

E-SWITCH™				
TITLE TACBLK				
SCALE	DATE	DR	DWG	REV
4:1	8/27/2007	BF	T041621	B

THE INFORMATION CONTAINED IN THIS DOCUMENT IS PROPRIETARY TO E-SWITCH AND IS NOT TO BE COPIED OR TRANSFERRED