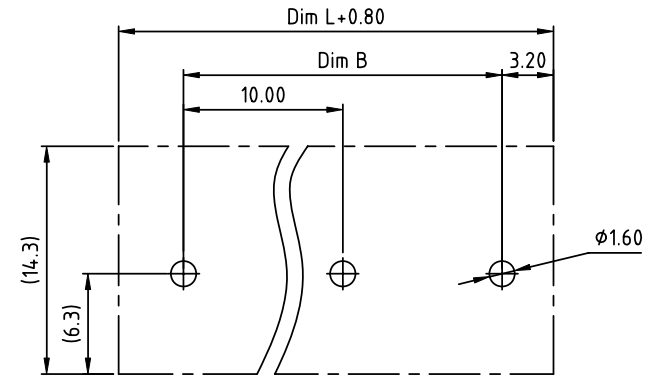
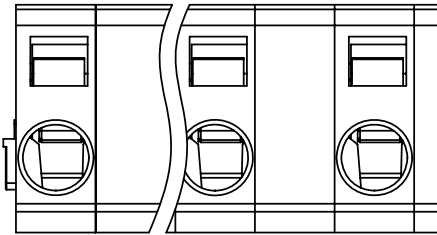
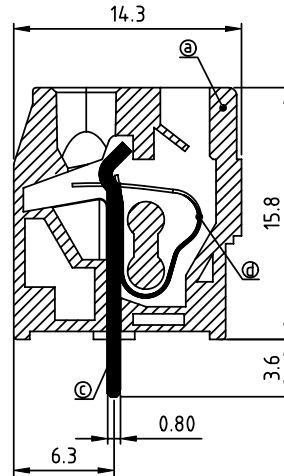
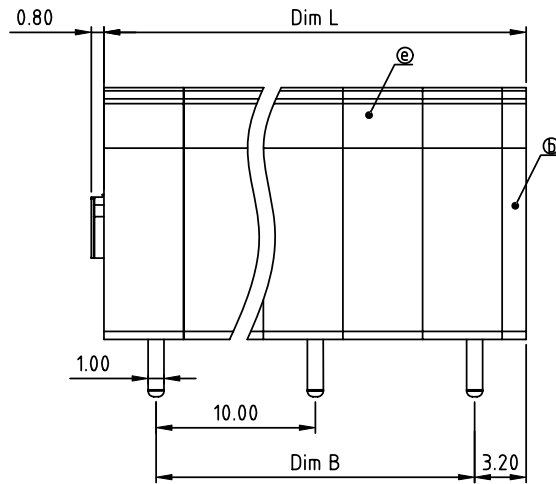


PRODUCT NUMBER	PITCH
HMxx80x000J0G	10.00mm



RECOMMENDED P.C.B LAYOUT
TOP VIEW



Material:

- Item①Insulator body:Thermoplastic (UL94V-0)
- Item②Insulating cover:Thermoplastic (UL94V-0)
- Item③Solder pin: Brass.Tin plated
- Item④Wire guard: Stainless steel
- Item⑤Pad board: Thermoplastic (UL94V-0)

Electrical:

- Voltage rating: 250V
- Current rating: 8A
- Wire range:
- Solid wire(AWG): 12-28
- Stranded wire(AWG): 12-28
- Wire strip length: 8-9mm
- Withstanding Voltage: 1.5KV
- Operating temperature: -40°C to +115°C
- Soldering temperature: 260°C±5°C/5 Sec
- Safety Approval:

N=Number of poles
Dim L=(N-1)×10.0+6.5
Dim B=(N-1)×10.0

Poles	Dim L	Dim B
2-4p	±0.20	±0.15
5-7p	±0.30	±0.25
8-10p	±0.40	±0.35
11-12p	±0.45	±0.40

PART NO.: HM xx 80 x 000J0 G

No. of poles	Color	RoHS compliant
0	Black (RAL9005)	(lead<4%)
End Stackable	2 Red (RAL3001/D)	In copper Alloy
02	2 poles 3 Orange(RAL2011/P)	
03	3 poles 4 Yellow(RAL1018/A)	
...	5 Green(RAL6018/T)	
12	12 poles 6 Blue (RAL5015/A)	
	8 Grey(RAL7004/P)	
	9 White(RAL1102)	
	C Multiple colors	

mat'l. code		surface ASME Y14.5	tolerance ASME Y14.5	projection 	product family TERMINAL BLOCK
ltr	ecn no	dr	date	tolerances unless otherwise specified	title TERMINAL BLOCK
				angles X±0.5	scale MM
				fil X.X±0.3	scale MM
				X'±1"	X.XX±0.1
dr	EVIN ZHONG	052914			dwg no HMxx80x000J0G
enr	EVIN ZHONG	052914			sheet 1 of 1
chr	HANKE FENG	052914			size A4
appd	SHI JUN	052914			type CUSTOMER Drawing
sheet index	revision	A			
	sheet	1			