

4

3

2

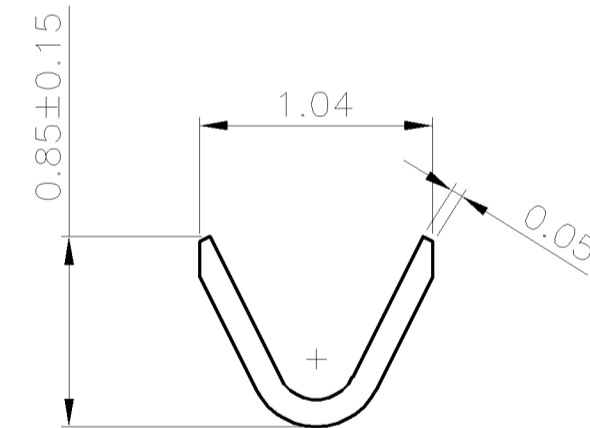
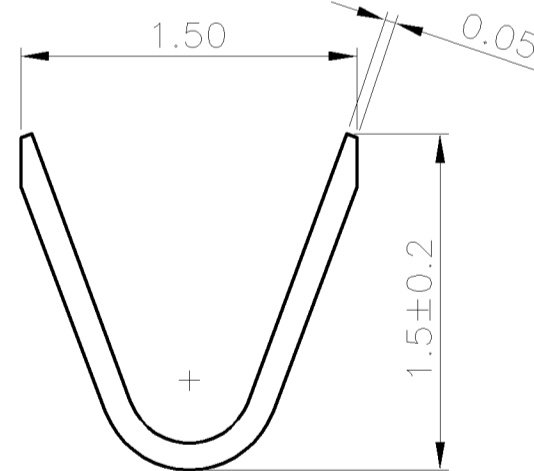
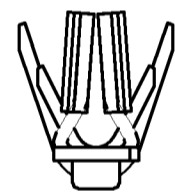
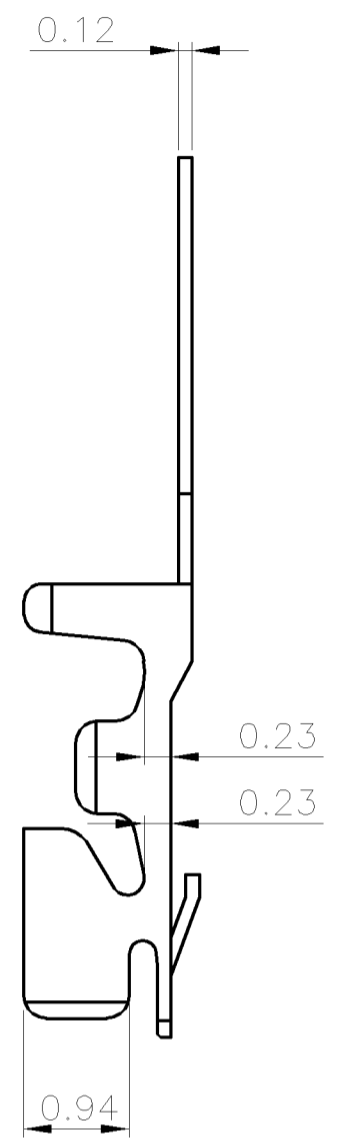
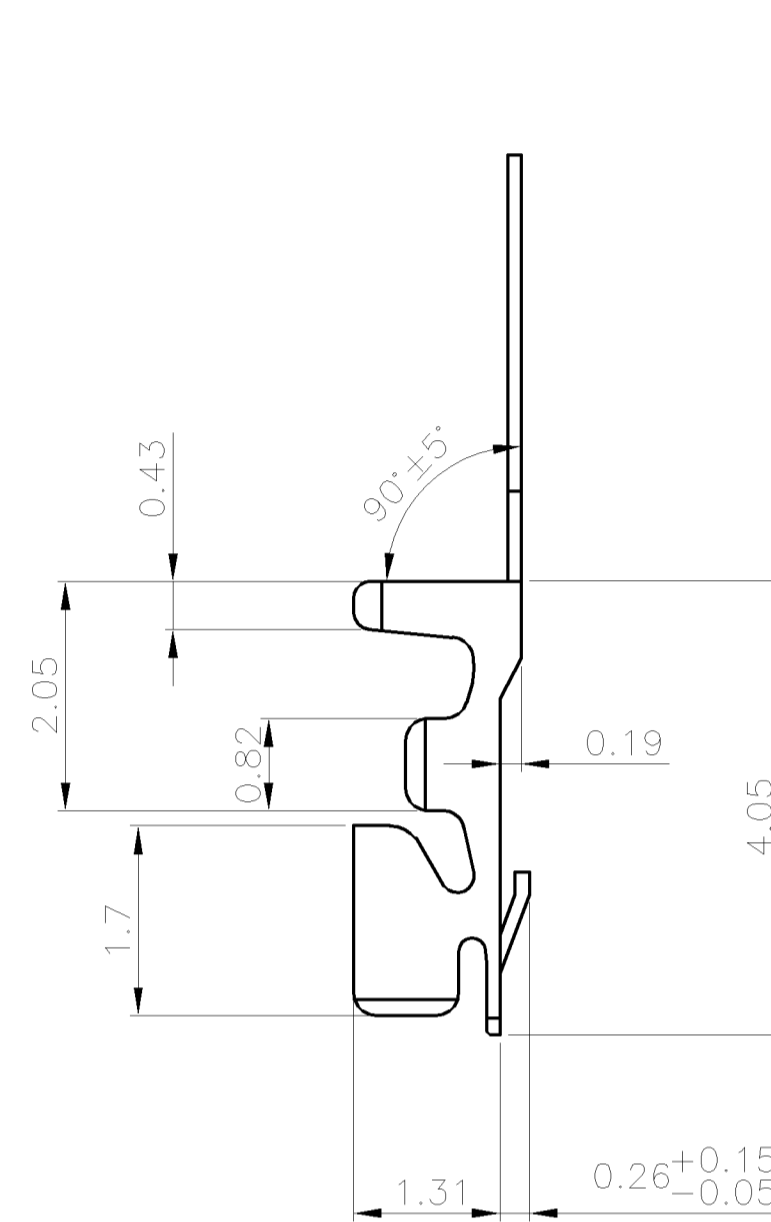
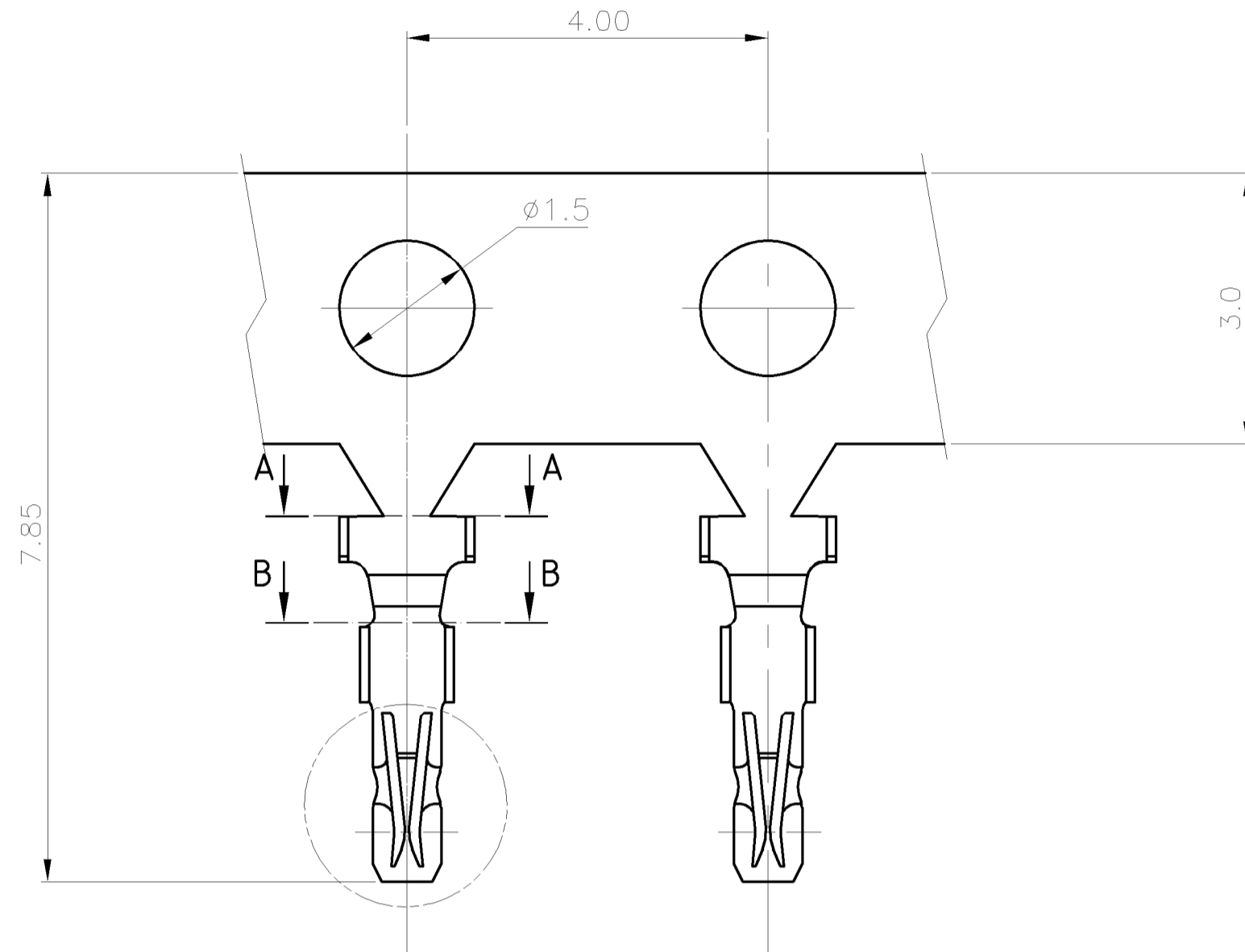
1

THIS DRAWING IS UNPUBLISHED. RELEASED FOR PUBLICATION AUG ,2006.

© COPYRIGHT 2009 BY TYCO ELECTRONICS CORPORATION. ALL RIGHTS RESERVED.

LOC DW DIST

P		LTR	DESCRIPTION	DATE	DWN	APVD
	B1		REVISED (ECR-10-023154)	10NOV10	JC	WK



SECTION A-A

SECTION B-B

NOTE:

- MATERIAL: PHOSPHOR BRONZE.
- FINISH: 0.8µm [31.49µ"] TO 1.5µm [59.05µ"] TIN OVER ALL.
- NO TE LOGO AND DATE CODE ON THE PRODUCT.
- APPLICABLE WIRE RANGE: AWG #28 THRU #32
- PART NUMBER OF RECEPTACLE HOUSING: X-1470364-X & X-2041214-X.
- PART NUMBER OF MATING PLUG:  
 LOW HALOGEN TYPE: X-2041190-X, X-2041191-X, X-2041202-X  
 HALOGEN TYPE: X-1734709-X, X-1734595-X.

1734597-1

PART NUMBER

THIS DRAWING IS A CONTROLLED DOCUMENT.		DWN A. WU 26JUL2007	Tyco Electronics Corporation Taipei, Taiwan	
DIMENSIONS: MM		CHK S. HOU 26JUL2007		
TOLERANCES UNLESS OTHERWISE SPECIFIED:		APVD W.J. KE 26JUL2007	NAME	
0 PLC ± - 1 PLC ± 0.15 2 PLC ± 0.1 3 PLC ± - 4 PLC ± - ANGLES ± 3°		PRODUCT SPEC 108-57264	1.0 MM PITCH WIRE TO BOARD CONNECTOR, RECEPTACLE, SMT, TERMINAL	
MATERIAL SEE NOTE		FINISH SEE NOTE	APPLICATION SPEC	RESTRICTED TO
		WEIGHT SEE TABLE	SIZE A3	CAGE CODE 00779
		CUSTOMER DRAWING	DRAWING NO C=1734597	SCALE -
			SHEET 1 OF 2	REV B1

4

3

2

1

THIS DRAWING IS UNPUBLISHED.

RELEASED FOR PUBLICATION

AUG ,2006.

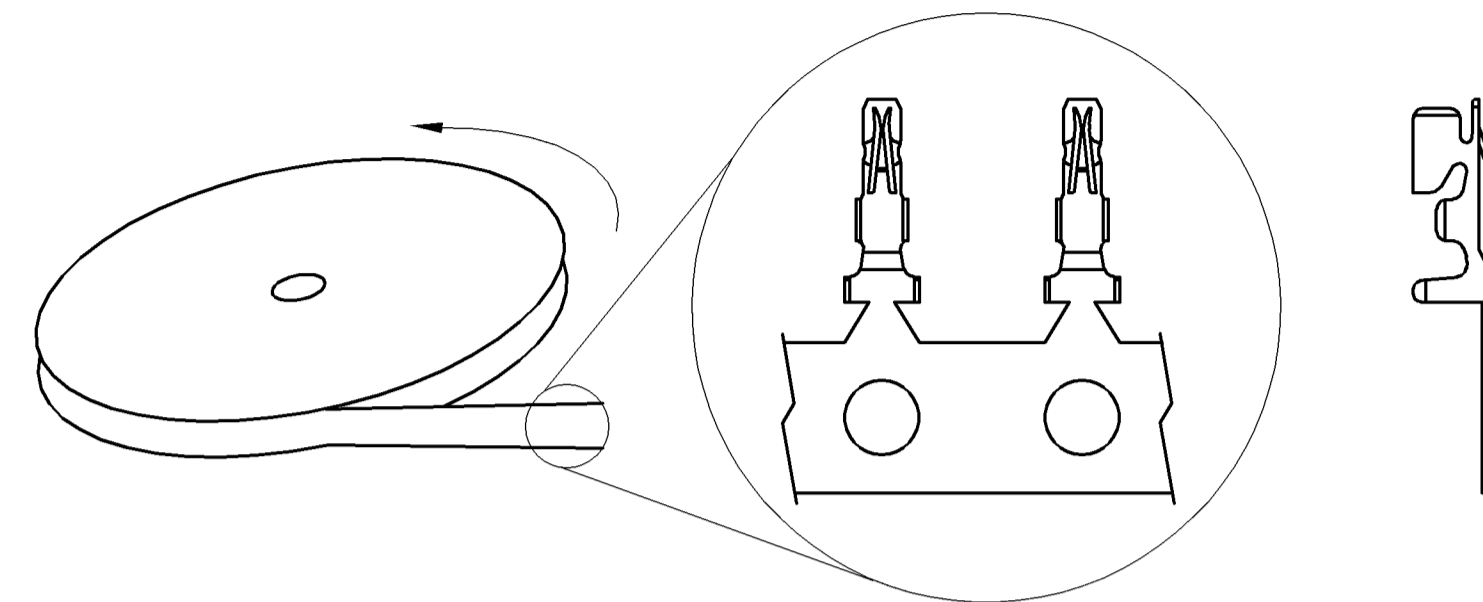
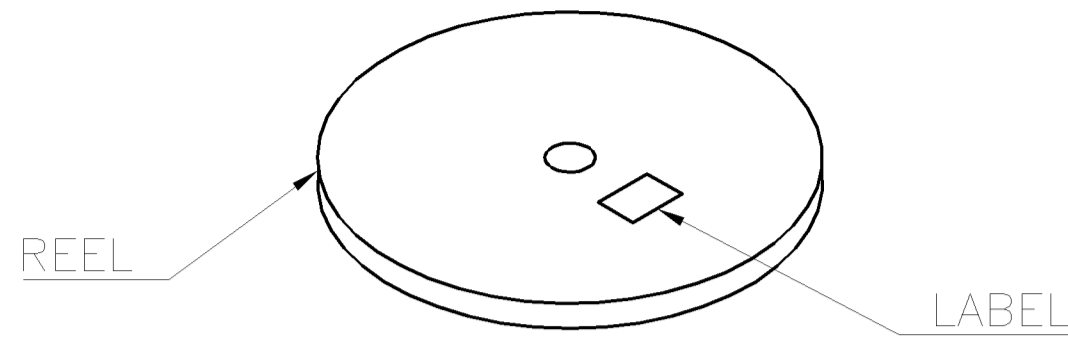
© COPYRIGHT 2009 BY TYCO ELECTRONICS CORPORATION. ALL RIGHTS RESERVED.

LOC DW

DIST

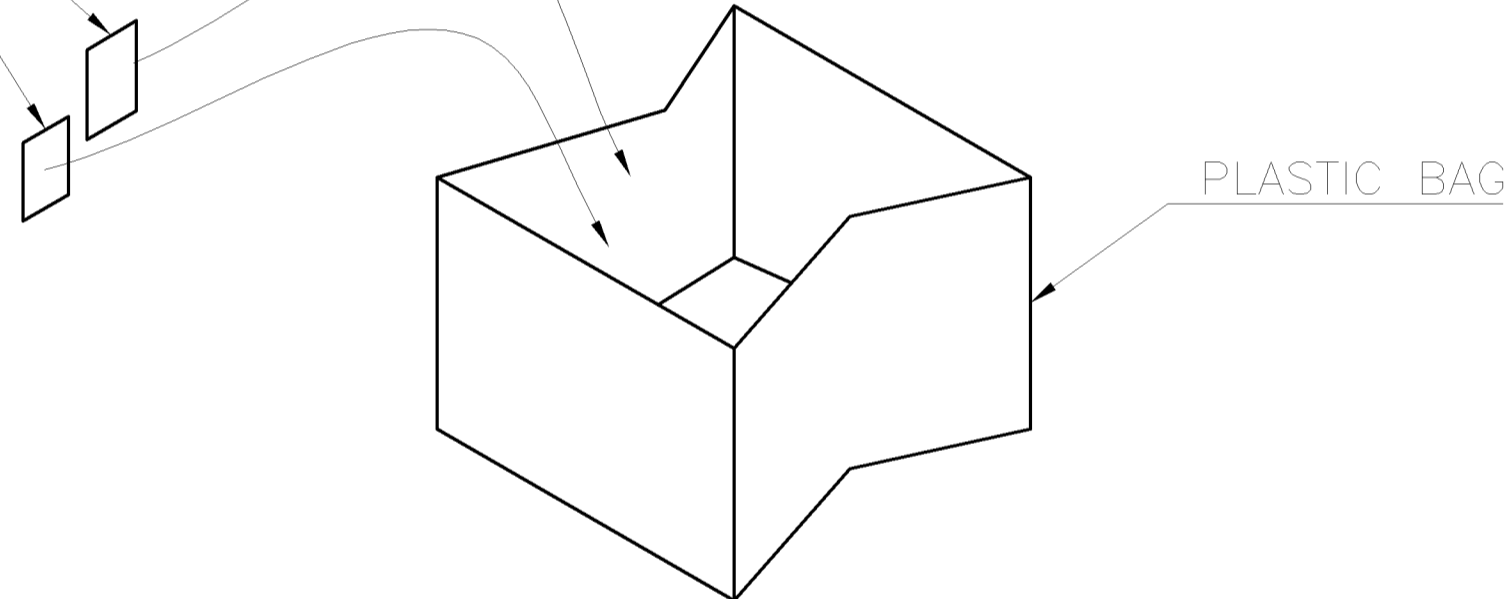
REVISIONS

P	LTR	DESCRIPTION	DATE	DWN	APVD
		SEE SHEET 1.			



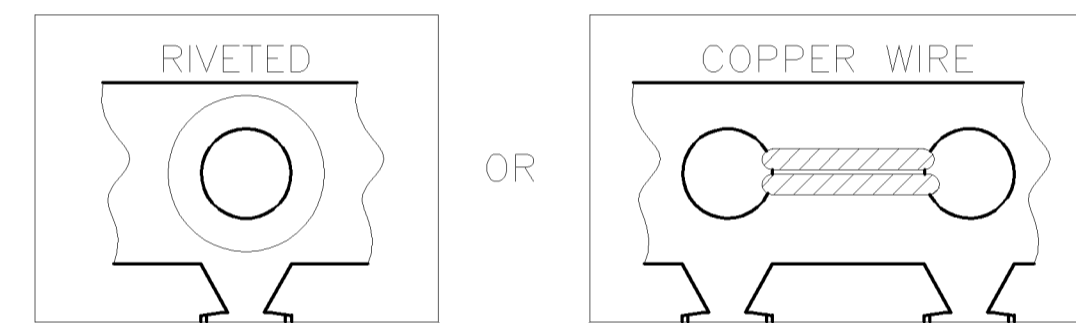
VOID FILLER  
4 PCS

DESICCANT

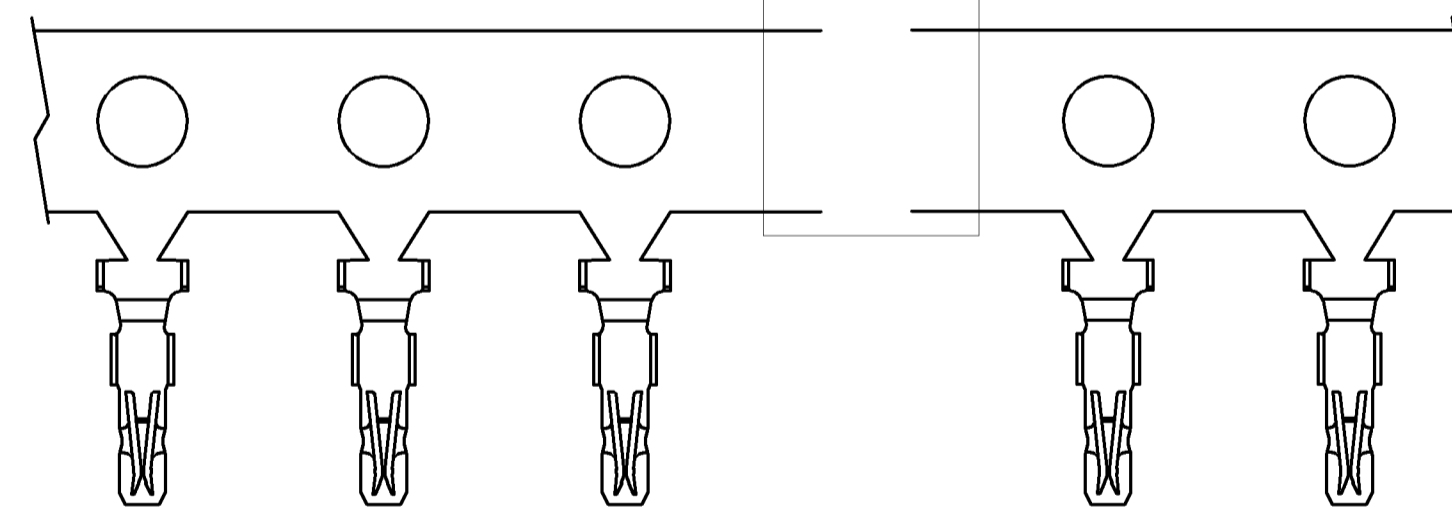


CARTON

CONNECTING METHOD CONFIGURATION



2 CONNECT POINTS MAX. PER REEL



472 X 472 X 175	7	15000	105000 PCS
CARTON DIMENSIONS	REELS/CARTON	PCS/REEL	QUANTITY

THIS DRAWING IS A CONTROLLED DOCUMENT.		DWN	Tyco Electronics Corporation Taipei, Taiwan			
DIMENSIONS: MM		CHK				
TOLERANCES UNLESS OTHERWISE SPECIFIED:		APVD	NAME			
0 PLC ± - 1 PLC ± - 2 PLC ± - 3 PLC ± - 4 PLC ± - ANGLES ± -		PRODUCT SPEC	1.0 MM PITCH WIRE TO BOARD CONNECTOR, RECEPTACLE, SMT, TERMINAL			
MATERIAL SEE NOTE		FINISH	SIZE	CAGE CODE	DRAWING NO	RESTRICTED TO
SEE NOTE		SEE NOTE	A3	00779	G-1734597	-
CUSTOMER DRAWING			SCALE	SHEET	REV	
			-	2 OF 2	B1	