

PRODUCT NUMBER
20020300-XXXXXXLF

20020300 — □ □ □ □ □ □ □ L F

PITCH
C: 3.50 mm
D: 3.81 mm(ON REQUEST ONLY)

POLES
02: 2 POLES
03: 3 POLES

LF : DENOTED RoHS COMPATIBLE

1 : STANDARD PRODUCT
W/ BOX PACKING

SCREW CODE

CODE	SCREW TYPE	AVAILABILTY
A	-/+	ON REQUEST ONLY
B	-	STANDARD

PROPERTY TABLE			
FCI SERIES NAME		08-350	
PITCH (mm)		3.50	
VOLTAGE RATING (VAC)		300	
CURRENT RATING (A)		10	
APPLICABLE WIRE RANGE (AWG)	1-WIRE	16~24	
	2-WIRE	24	
WIRE CROSS SECTION (mm ²)	SOLID	1-WIRE	1.5
		2-WIRE	0.5
	STRANDED	1-WIRE	1.5
		2-WIRE	0.2
OPENING CONTACT HOUSING(mm ²)		1.6x1.6	
WIRE STRIP LENGTH(mm)		5~6	
TORQUE +/-10% (N-m/Lb-in)		0.19/1.7	
SCREW		M2x0.4	
WITHSTANDING VOLTAGE (kV)		1.6	
OPERATING TEMP. (°C)		-40~+115	
SOLDERING TEMP. (°C)		250±10 (5 sec.)	
POLES AVAILABLE		02~03	
SAFETY CERTIFICATE			

HOUSING CODE

CODE	COLOR	AVAILABILTY
1	GREEN(RAL 6018/T)	STANDARD
2	BLACK	ON REQUEST ONLY
3	GREY(RAL 7004/P)	ON REQUEST ONLY
4	BLUE(RAL 5015/A)	ON REQUEST ONLY

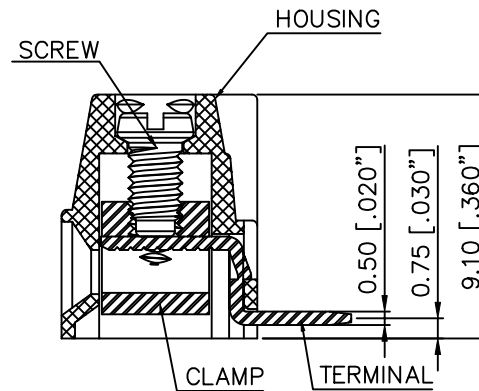
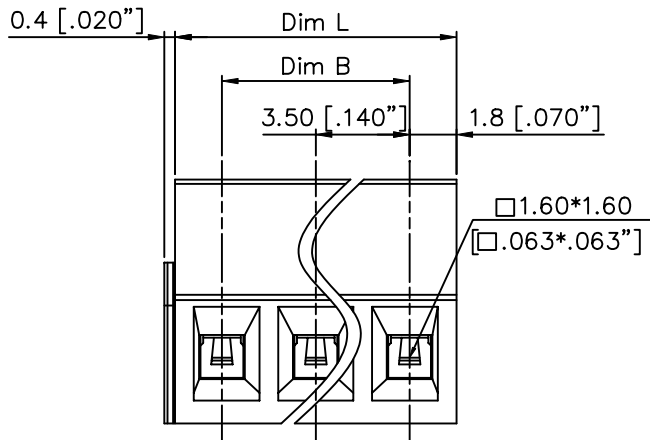
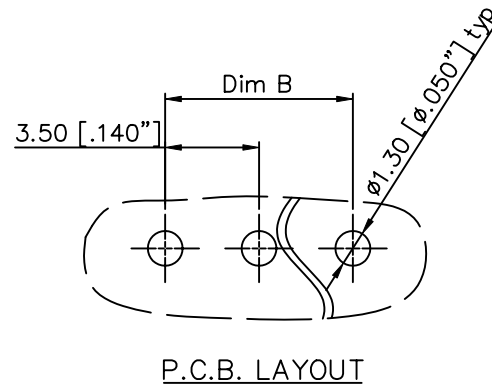
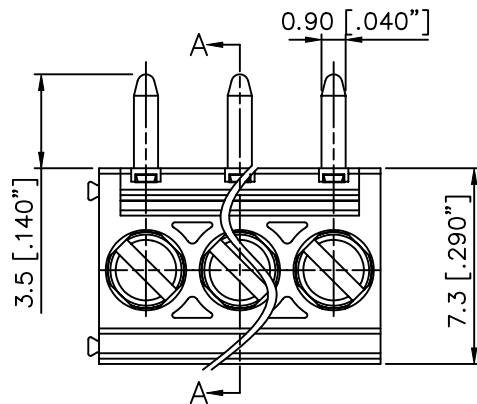
NOTES:

- MATERIALS
1-1 HOUSING: THERMALPLASTIC RESIN, UL 94V-0 RATED.
1-2 SCREW: STEEL, ZINC PLATED.
1-3 CLAMP: COPPER ALLOY, NICKEL PLATED.
1-4 TERMINAL: COPPER ALLOY, TIN PLATED.
- PRODUCT SPECIFICATION REFER TO FCI GS-12-625.
- PRODUCT PACKING SPECIFICATION REFER TO FCI GS-14-1394.
- FCI, SAFETY CERTIFICATE LOGO AND SERIES NAME TO BE SHOWN ON PRODUCT SURFACE.
- THE PRODUCTS WHERE THE PART NUMBER END IN "LF" MEET THE EUROPEAN UNION DIRECTIVE AND OTHER COUNTRY REGULATIONS AS DESCRIBED IN GS-22-008.
- RECOMENDED SOLDERING PROCESS BY WAVE SOLDER.

mat'l. code				surface ASME Y14.5 ✓		tolerance ASME Y14.5		projection		product family TERMINAL BLOCK	
ltr				ecn no		dr		date		title	
A				T10-0138		WL		083110		TERMINAL BLOCK	
B				T10-0165		WL		101210		FIXED SIGNAL PLUG, VERTICAL WIRE INLET	
				angles		tolerance		scale		dwg no	
				X°±1'		X.X±0.3		MM		sheet 1 of 2 size	
						X.XX±0.1		[INCH]		20020300 A4	
				dr		WENDY CHEN		081210		FCI	
				enr		JASON HSU		081210		type	
				chr		GARY HSIEH		081210		CUSTOMER Drawing	
				appd		JOSEPH HSIA		081210			
sheet index		revision sheet		B B		1 2					



PRODUCT NUMBER	SERIES NAME	PITCH
20020300-CXXXXXL	08-350	3.50 mm



SECTION A-A

POLE	2	3
Dim L	7.00[.275"]	10.50[.413"]
Dim B	3.50[.138"]	7.00[.276"]
Tol.	±0.10[.004"]	

mat'l. code		surface ASME Y14.5	tolerance ASME Y14.5	projection 	product family TERMINAL BLOCK
ltr	ecn no	dr	date	title TERMINAL BLOCK FIXED SIGNAL PLUG, VERTICAL WIRE INLET	
B				angles X±1°	tolerances unless otherwise specified
				inches X.XX±0.1	scale MM [INCH]
		dr	WENDY CHEN 081210		dwg no 20020300
		enr	JASON HSU 081210		sheet 2 of 2 size A4
		chr	GARY HSIEH 081210		type CUSTOMER Drawing
		app	JOSEPH HSIA 081210		
sheet index	revision sheet				

