

PART NAME

TABLET ENCLOSURE

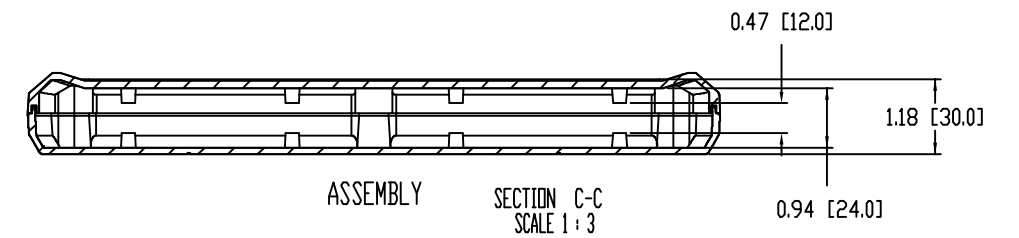
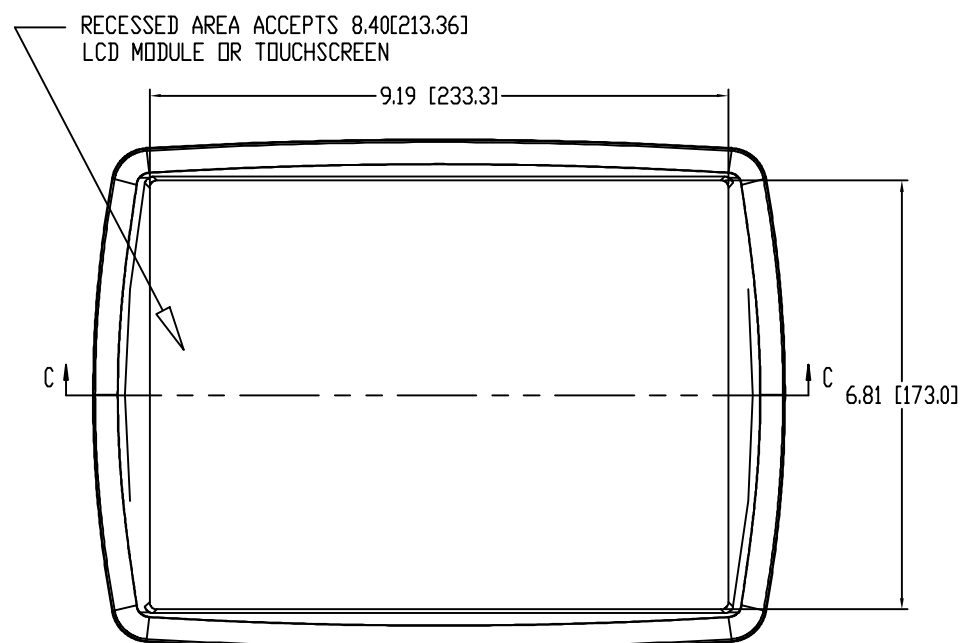
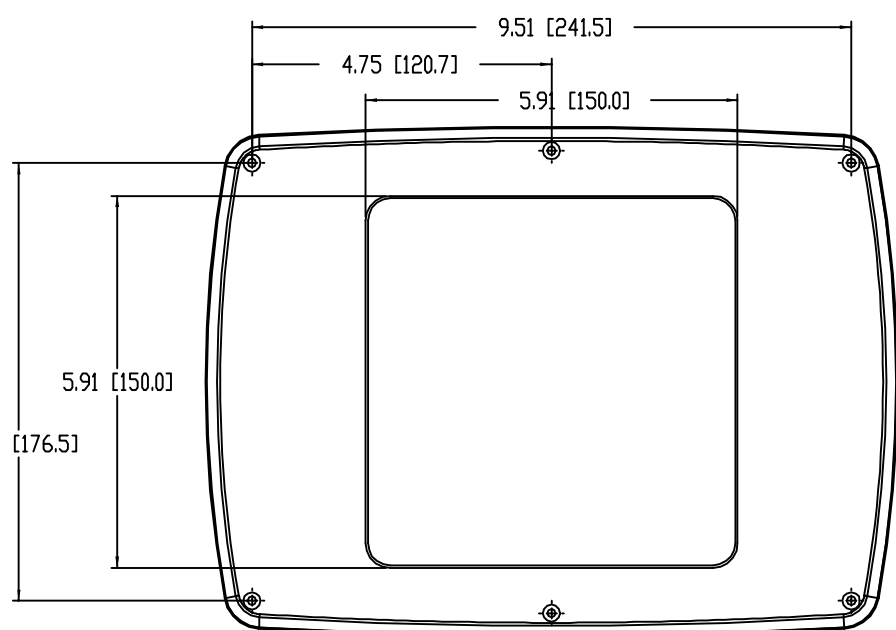
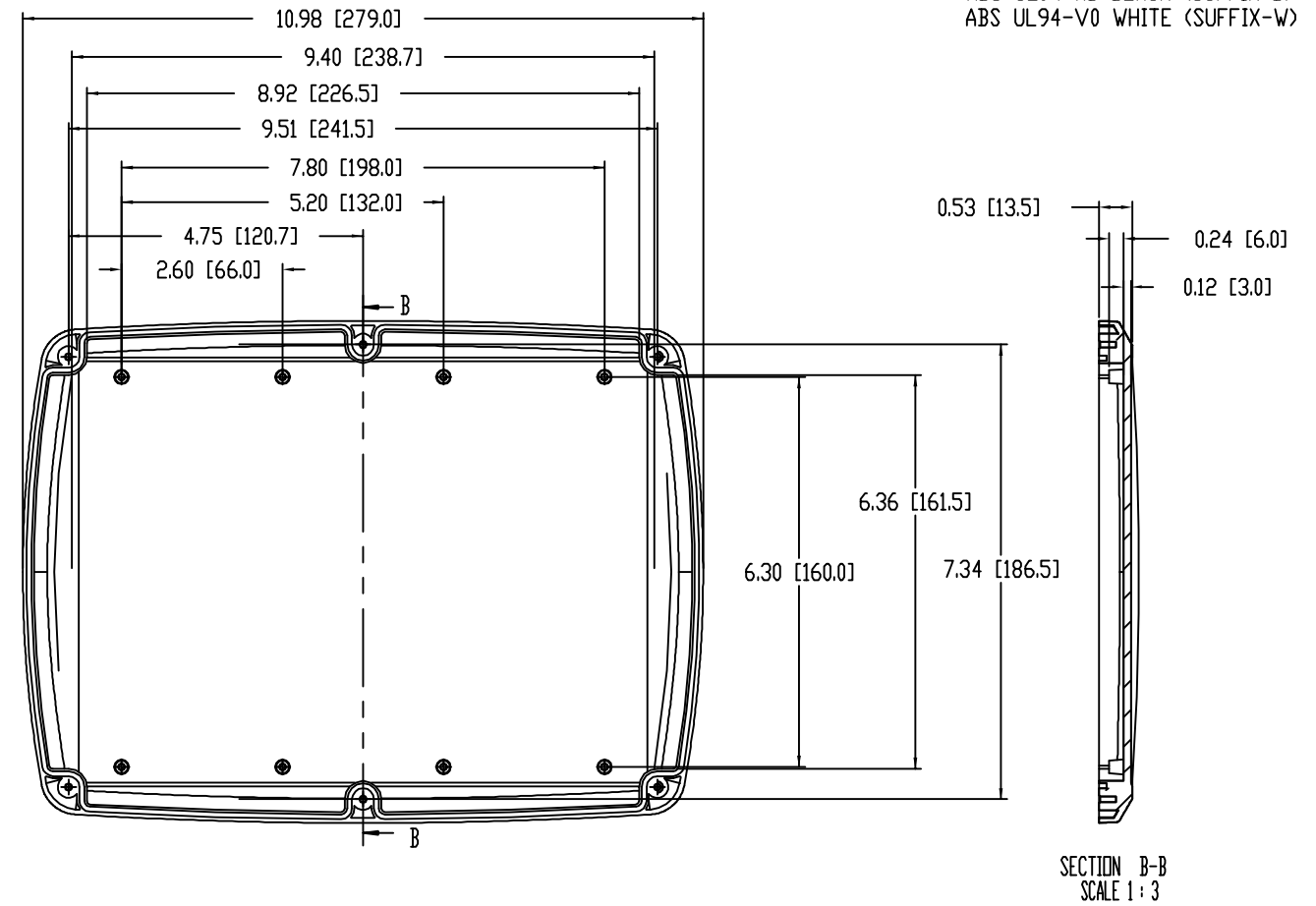
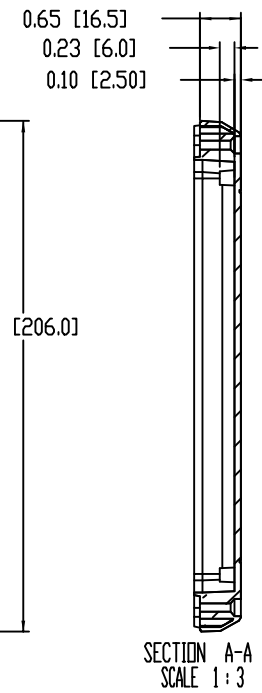
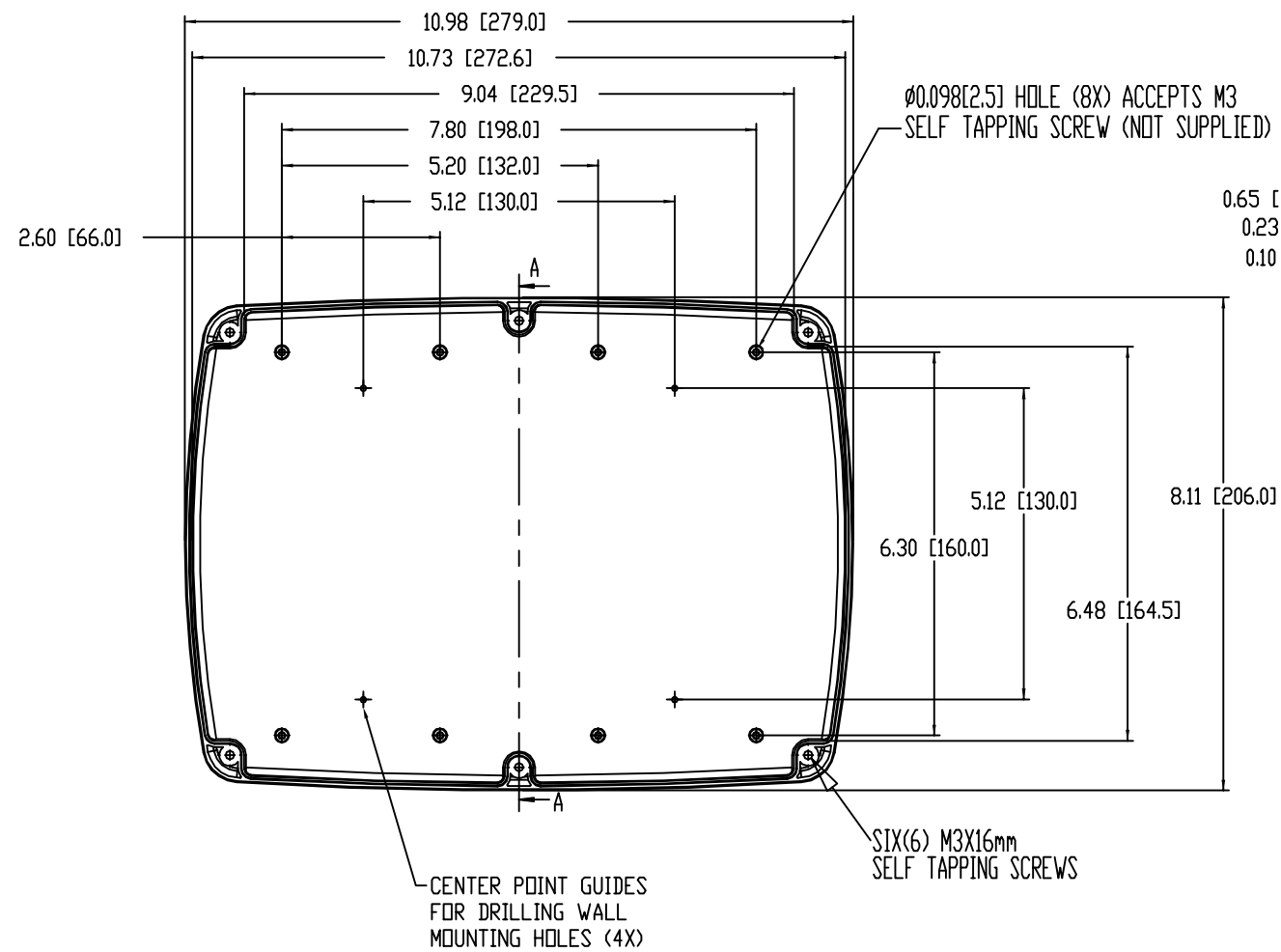
PART No.

TB-32613-B & TB-32613-W

REV. DATE

2-23-13

MATERIAL:  
ABS UL94-HB BLACK (SUFFIX-B)  
ABS UL94-V0 WHITE (SUFFIX-W)



NOTES:

- 1.) SIX (6) M3 X .63[16] LG. SELF-TAPPING SCREWS SUPPLIED FOR ASSEMBLY
- 2.) FOUR (4) ADD-ON RUBBER FEET SUPPLIED
- 3.) ALL HOLE DIAMETERS HAVE +/-0.05[1.3] TOLERANCE  
ALL OTHER DIMENSIONS HAVE +/-0.15[3.8] TOLERANCE
- 4.) DIMENSIONS ARE INCH[MILLIMETER]-THIRD ANGLE PROJECTION
- 5.) OPTIONAL SILICONE SPONGE GASKET #TB-32613-GSK AVAILABLE