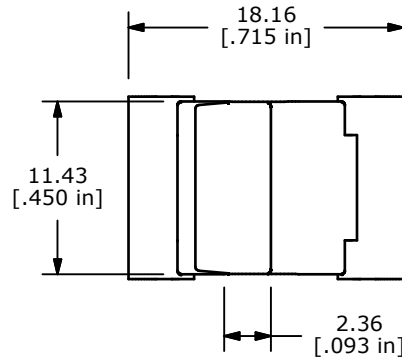
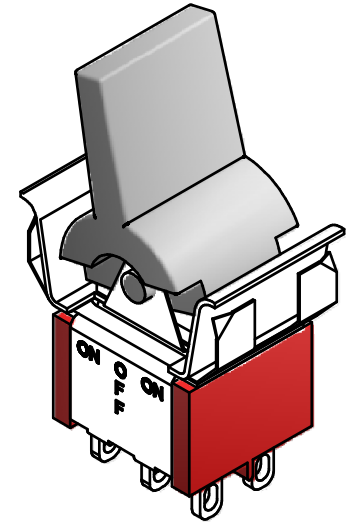


\* DIMENSION TO BE 15.75 - 15.88 FOR PANEL THICKNESS BETWEEN 2.31 - 3.18 mm

RECOMMENDED MOUNTING

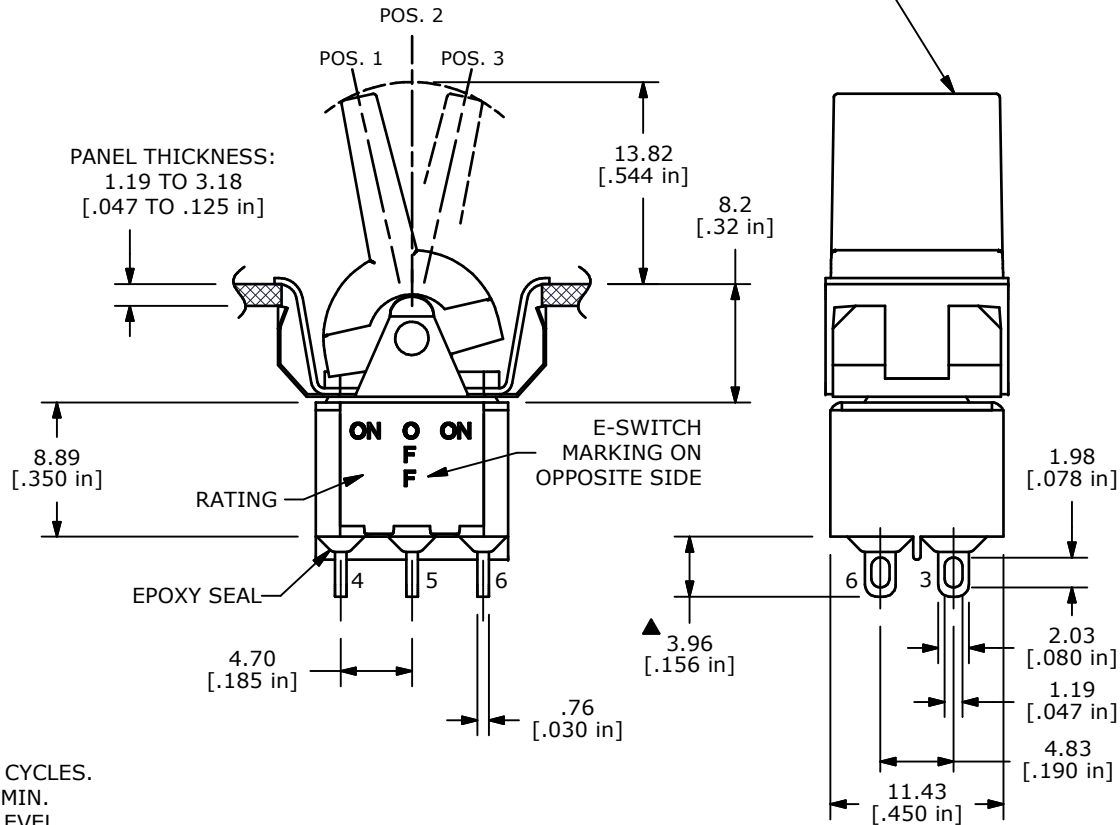
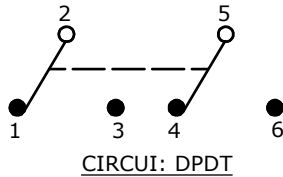


ISOMETRIC



ACTUATOR COLOR: GRAY

SWITCH FUNCTION		
POS. 1	POS. 2	POS. 3
ON	OFF	ON
2-3, 5-6	OPEN	2-1, 5-4



- NOTE:
1. ALL DIMENSIONS IN MM [INCH]
  2. GENERAL TOLERANCE: X.X=±0.4 X.XX=±0.25
  3. TERMINAL NUMBERS FOR REF ONLY
  - ▲ 4. PLATING MATERIAL: SILVER
  5. RATING: 5 AMPS @120VAC OR 28VDC 2 AMPS @250VAC
  6. CONTACT RESISTANCE: 10 MILLI-OHMS MAX.
  7. MECHANICAL LIFE: 40,000 MAKE-AND-BREAK CYCLES.
  8. INSULATION RESISTANCE: 1,000 MEGA-OHM MIN.
  9. DIELECTRIC STRENGTH: 1,000 V RMS @SEA LEVEL.
  10. OPERATING TEMP.: -30°C to 85°C
  11. ▲ DENOTES CRITICAL PARAMETER.



TITLE 300DP3R8GRYM1QE

A	18564	RELEASED FOR PRODUCTION	7/7/09	BLR
REV	PCR NO	DESCRIPTION	DATE	BY

THE INFORMATION CONTAINED IN THIS DOCUMENT IS PROPRIETARY TO E-SWITCH AND IS NOT TO BE COPIED OR TRANSFERRED

SCALE	DATE	DR	DWG	REV
2:1	7/7/2009	BLR	T324075	A