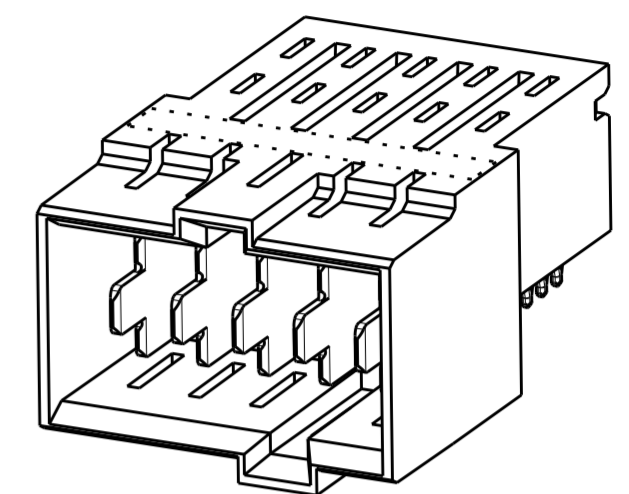
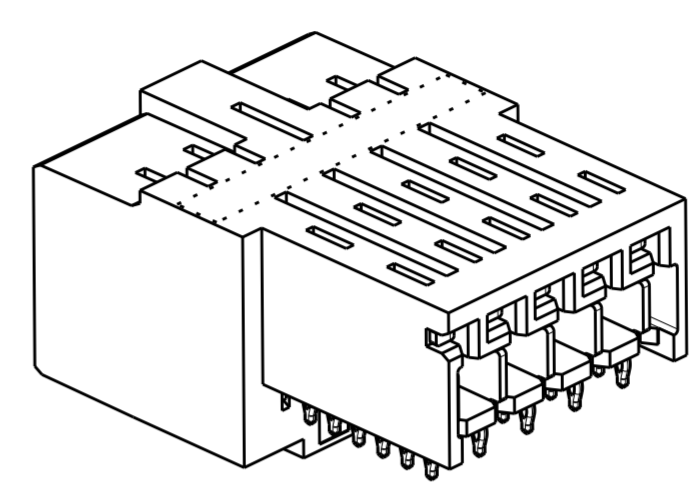
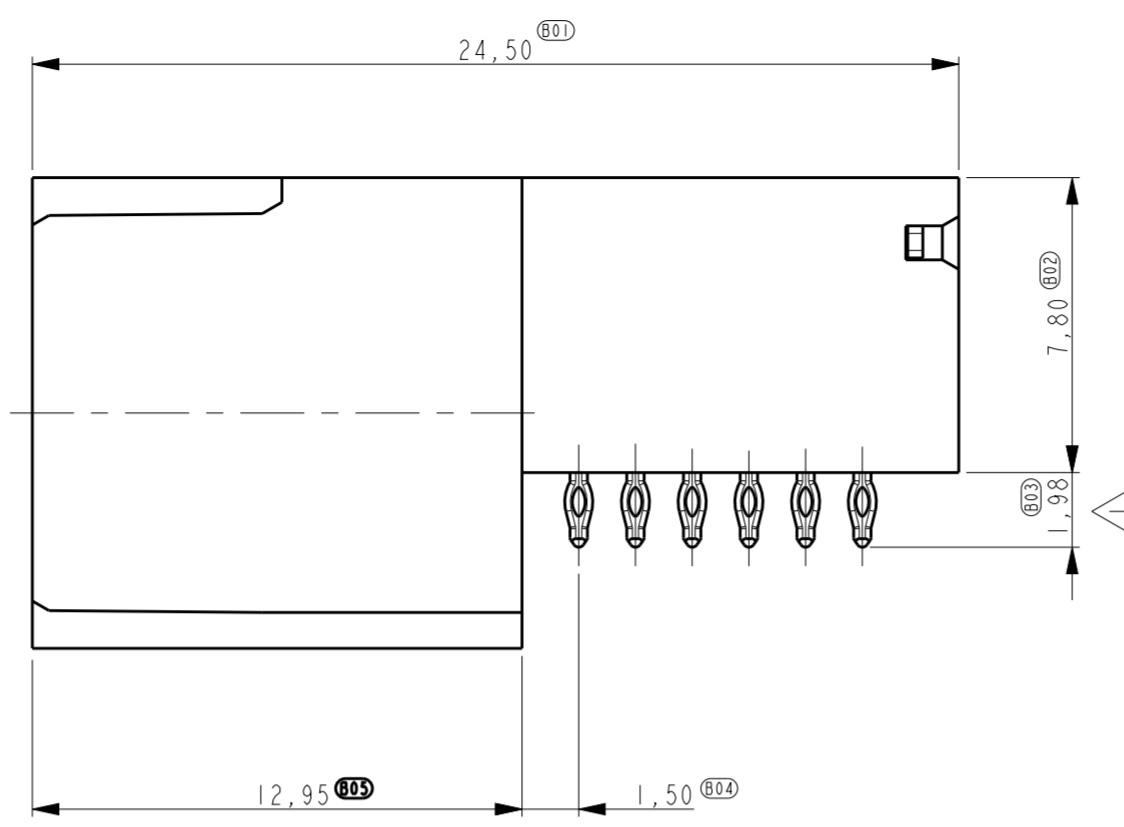
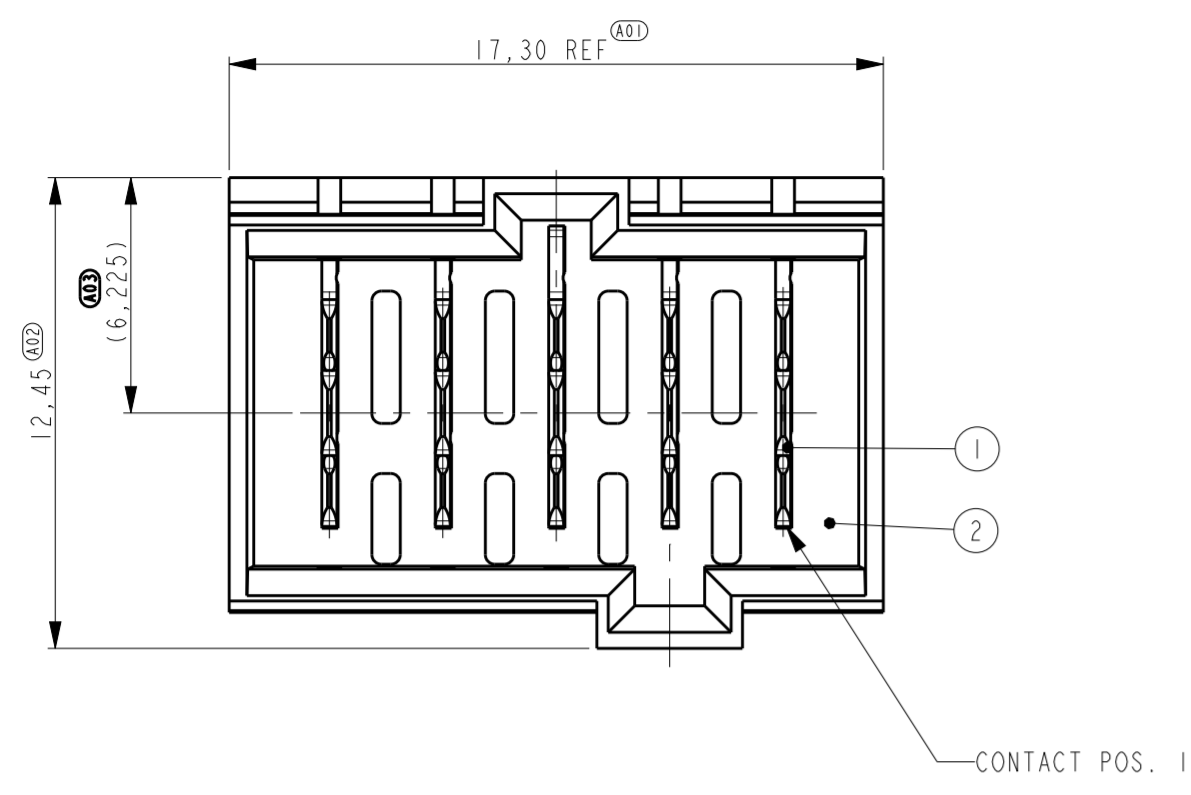


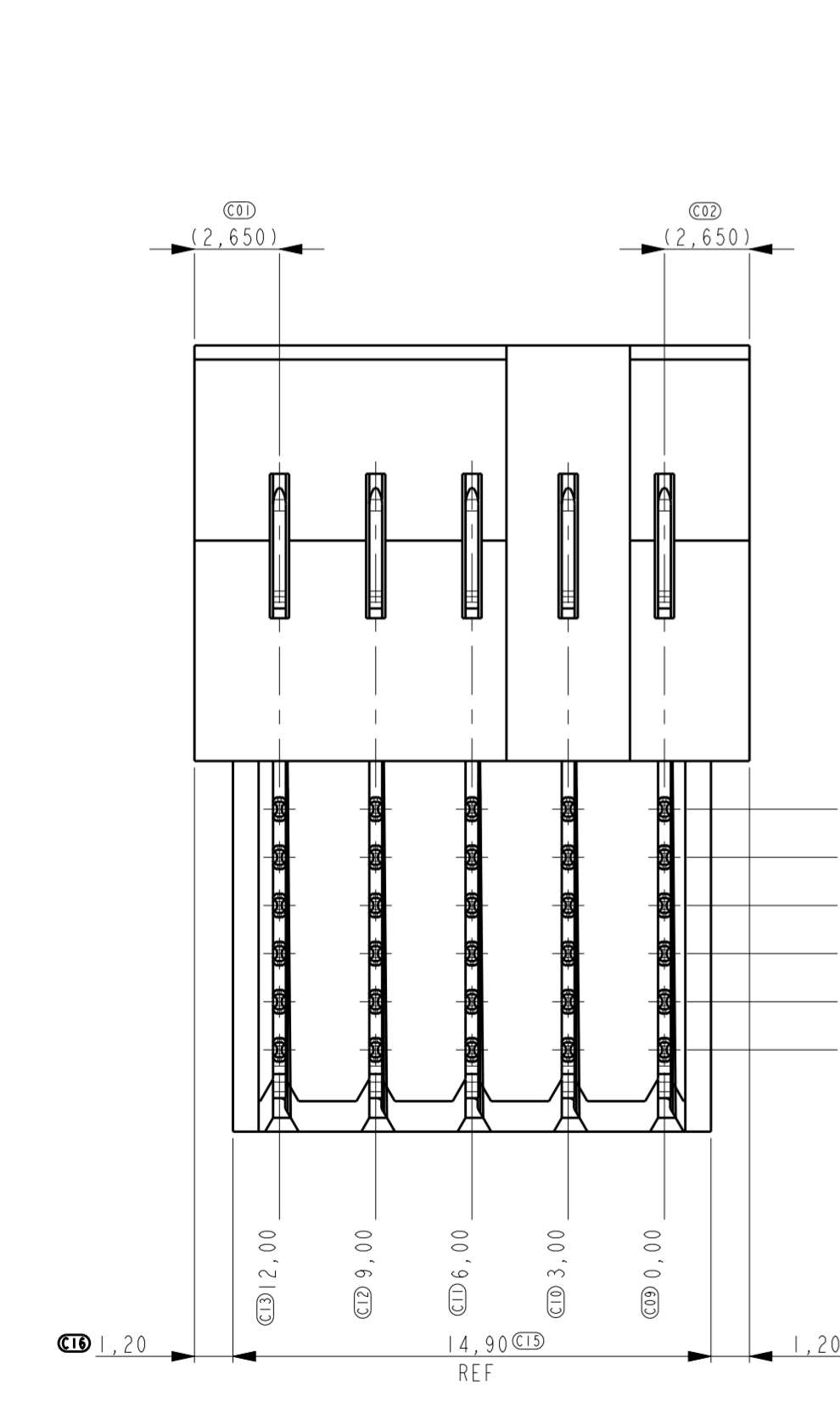
THIS DRAWING IS UNPUBLISHED. RELEASED FOR PUBLICATION  
 © COPYRIGHT - BY TYCO ELECTRONICS CORPORATION. ALL RIGHTS RESERVED.

LOC	DIST	REVISIONS					
H	-	P	LTR	DESCRIPTION	DATE	DWN	APVD
		A		ECR-16-013766	10OCT2016	FL	SY



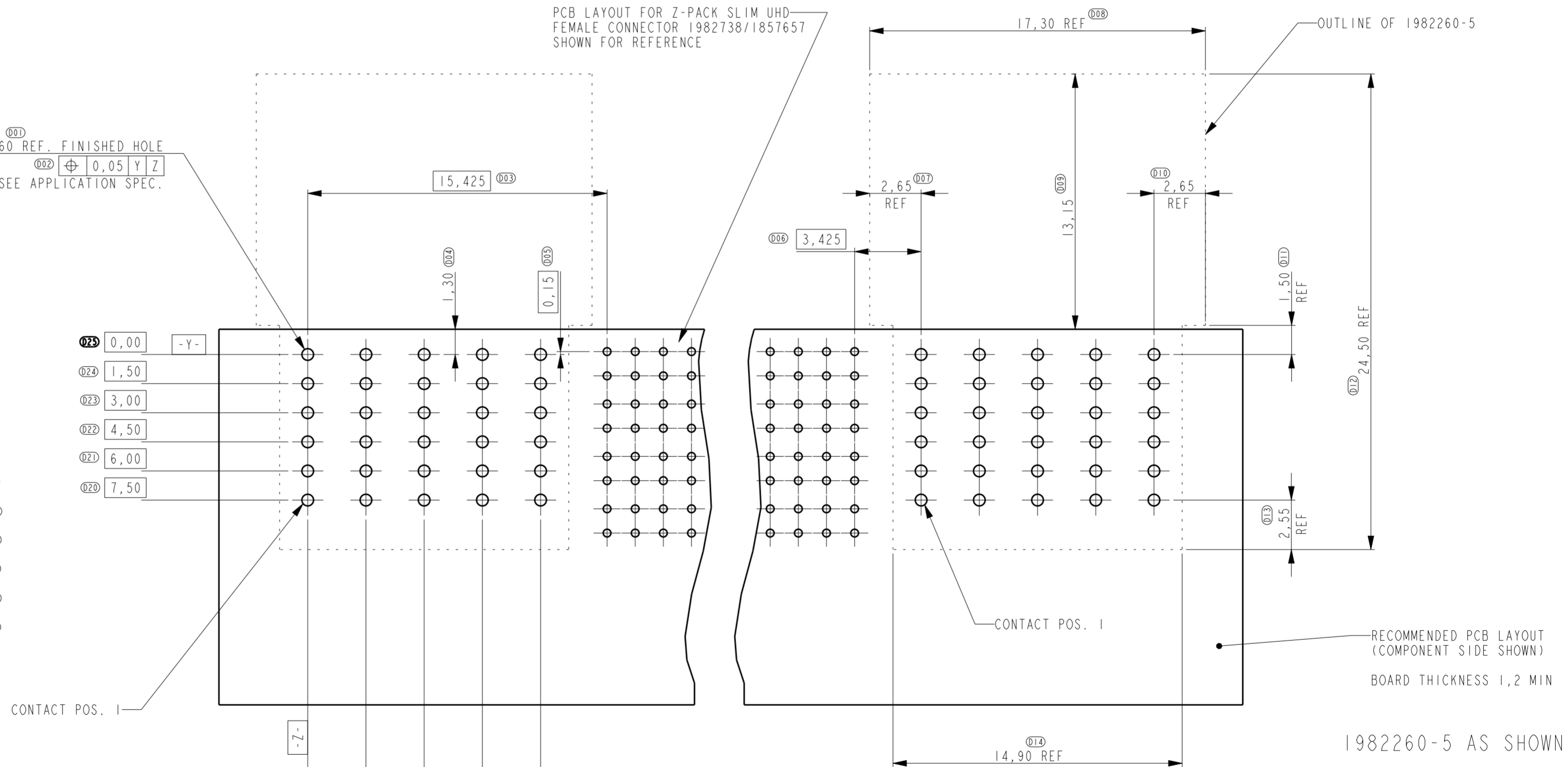
SCALE 3:1

SCALE 3:1



Ø 0,60 REF. FINISHED HOLE  
 ⊕ 0,05 | Y | Z  
 SEE APPLICATION SPEC.

- 0,00 (C03)
- 1,50 (C04)
- 3,00 (C05)
- 4,50 (C06)
- 6,00 (C07)
- 7,50 (C08)



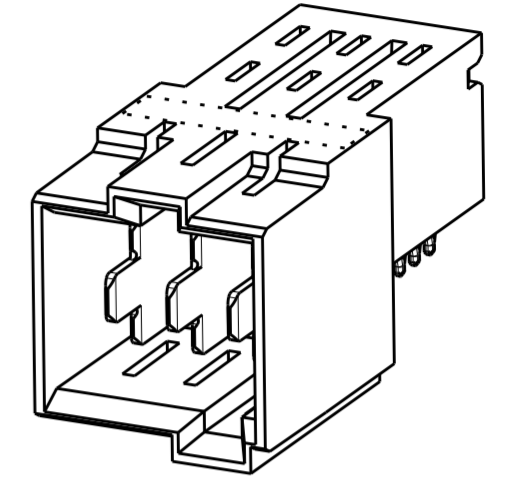
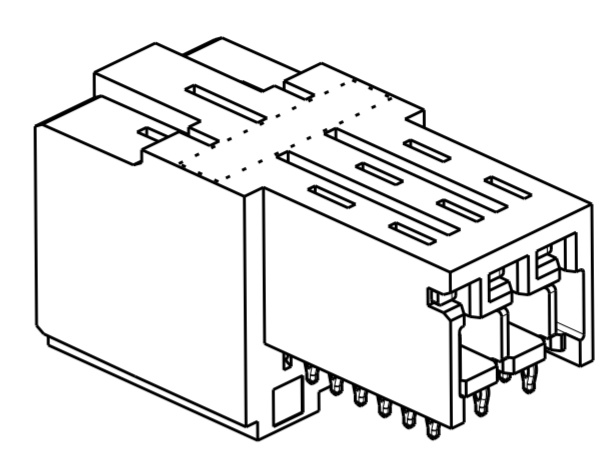
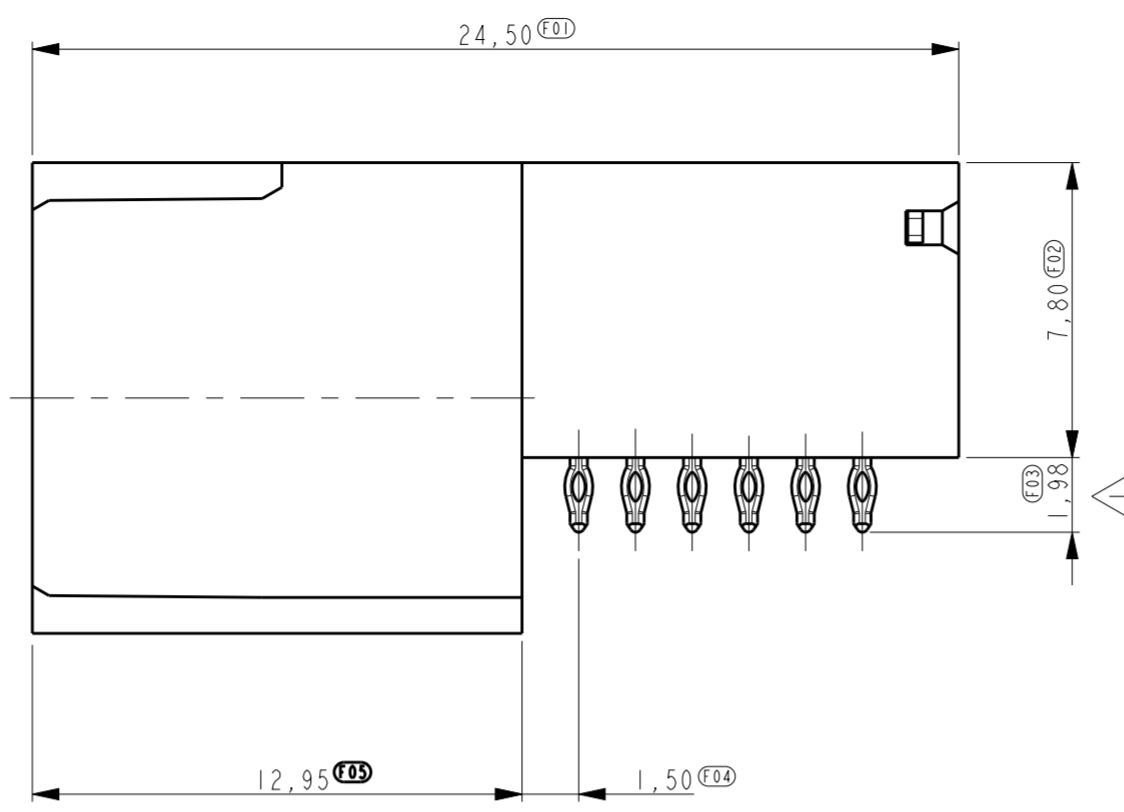
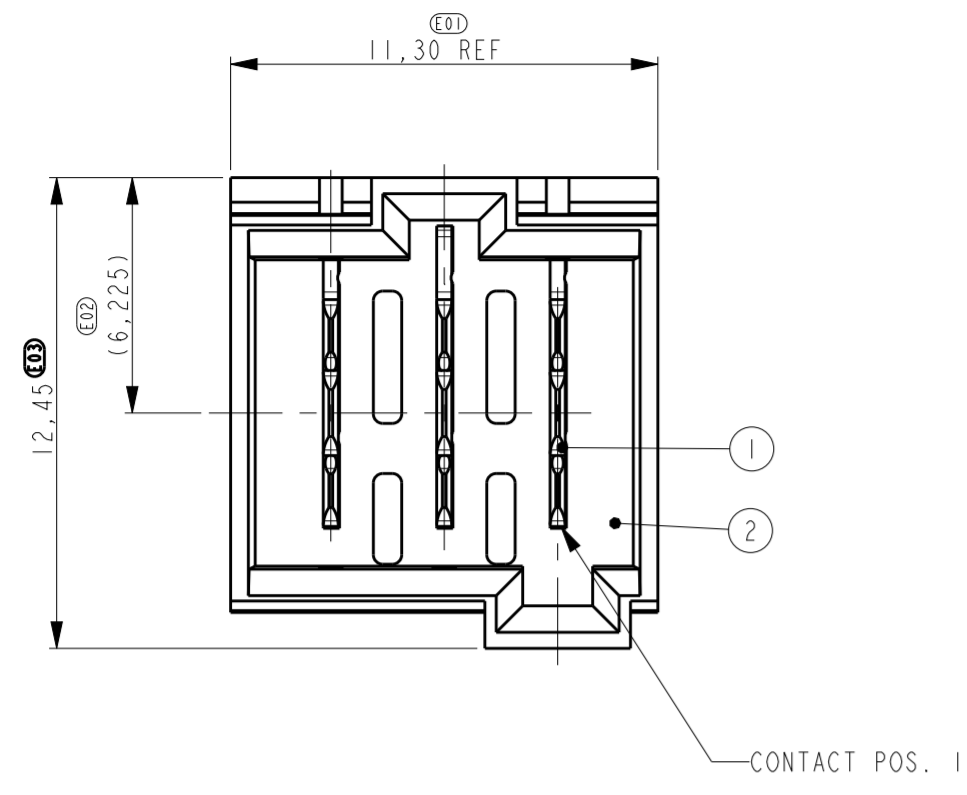
NOTES:  
 △ PLATING: 0,5µm MIN. TIN OVER NICKEL.  
 2 PLATING IN CONTACT AREA  
 1,27 µm MIN. Au OVER 1,27µm MIN. Ni

2	PLUG HOUSING	LCP 30% GF NATURAL
1	PLUG CONTACT	COPPER ALLOY
ITEM NO.	DESCRIPTION	MATERIAL

THIS DRAWING IS A CONTROLLED DOCUMENT FOR TYCO ELECTRONICS CORPORATION. IT IS SUBJECT TO CHANGE AND THE CONTROLLING ENGINEERING ORGANIZATION SHOULD BE CONTACTED FOR THE LATEST REVISION.		DWN J.VOS 28-MAY-08	Tyco Electronics 's-Hertogenbosch, Nederland
		CHK R.DAAMEN 28-MAY-08	
DIMENSIONS: mm		APVD R.VD.SANDT	NAME PLUG ASSEMBLY RIGHT ANGLE Z-PACK SLIM UHD POWER
TOLERANCES UNLESS OTHERWISE SPECIFIED:		PRODUCT SPEC 108-19367	
0 PLC ±		APPLICATION SPEC 114-19122	SIZE A2
1 PLC ±0,1		WEIGHT -	CAGE CODE 00779
2 PLC ±0,05		CUSTOMER DRAWING	DRAWING NO. C-1982260
3 PLC ±0,025		SCALE 5:1	SHEET 1 OF 2
4 PLC ±			REV A
ANGLES ±2°			
FINISH			

THIS DRAWING IS UNPUBLISHED. RELEASED FOR PUBLICATION  
 © COPYRIGHT - BY TYCO ELECTRONICS CORPORATION. ALL RIGHTS RESERVED.

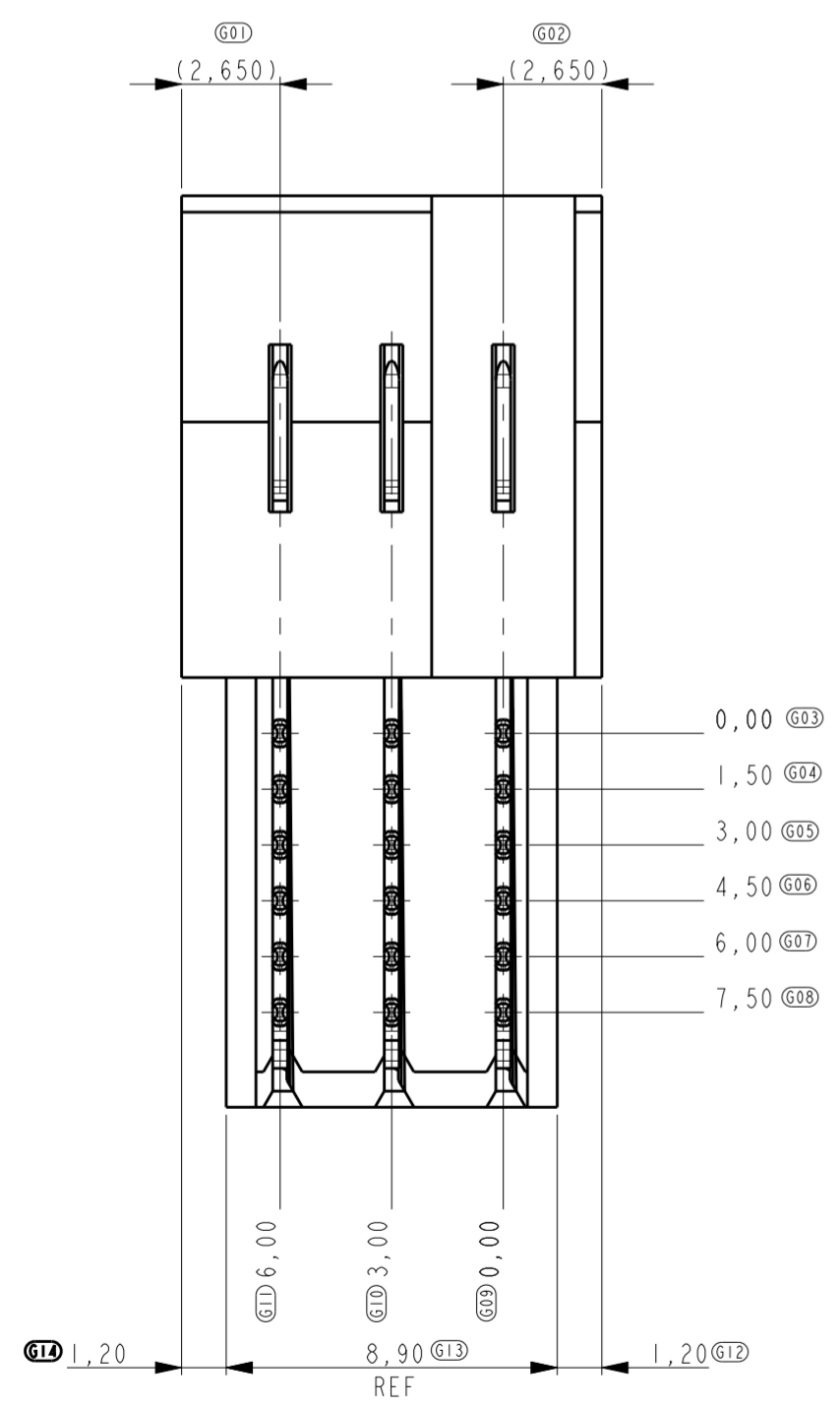
LOC		DIST		REVISIONS			
P	LTR	DESCRIPTION	DATE	DWN	APVD		
-	-	SEE SHEET 1	-	-	-		



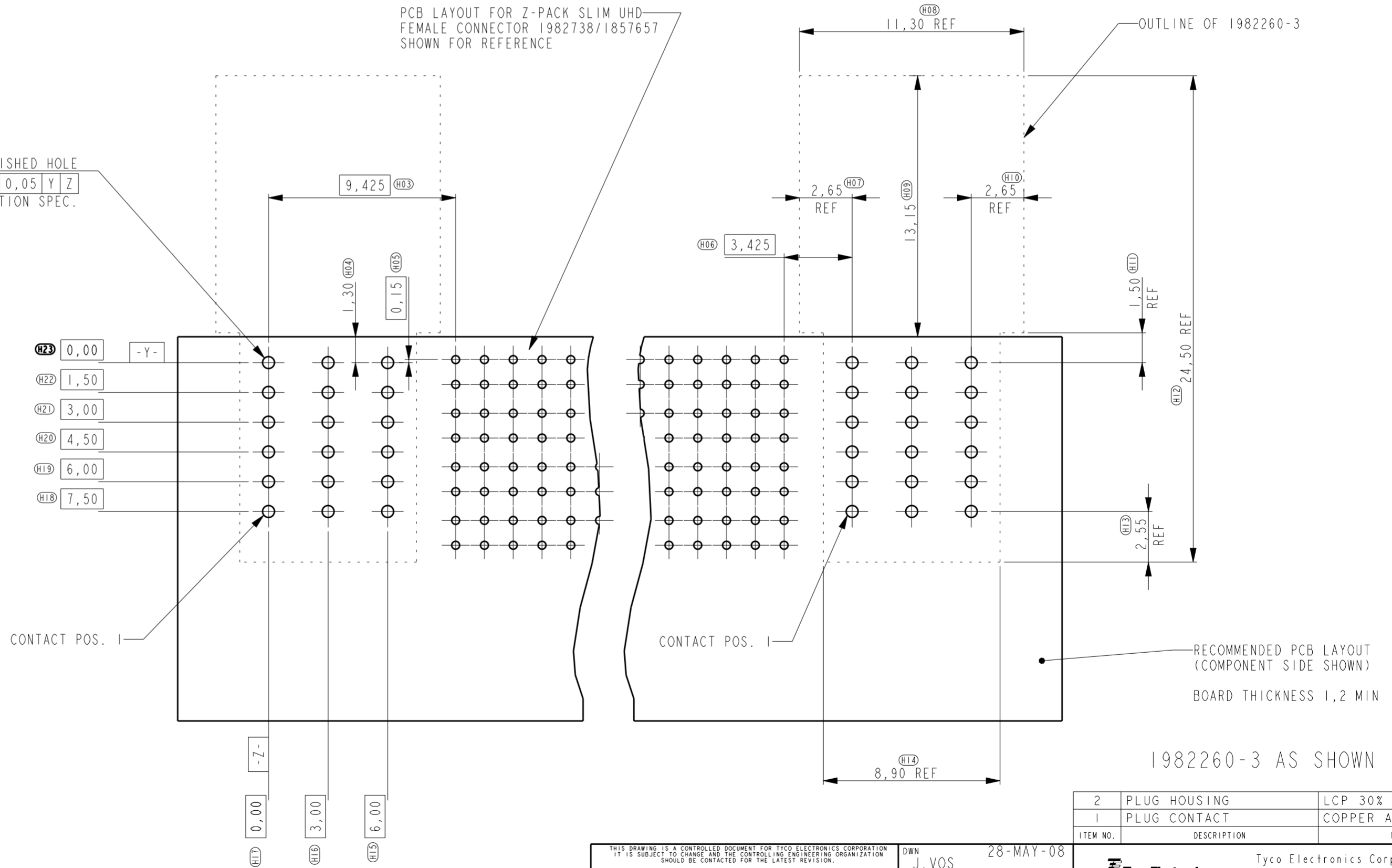
SCALE 3:1

SCALE 3:1

PCB LAYOUT FOR Z-PACK SLIM UHD FEMALE CONNECTOR 1982738/1857657 SHOWN FOR REFERENCE



Ø 0,60 REF. FINISHED HOLE (H01)  
 (H02) ± 0,05 Y Z  
 SEE APPLICATION SPEC.



1982260-3 AS SHOWN

NOTES:  
 1 PLATING: 0,5µm MIN. TIN OVER NICKEL.  
 2 PLATING IN CONTACT AREA  
 1,27 µm MIN. Au OVER 1,27µm MIN. Ni

THIS DRAWING IS A CONTROLLED DOCUMENT FOR TYCO ELECTRONICS CORPORATION. IT IS SUBJECT TO CHANGE AND THE CONTROLLING ENGINEERING ORGANIZATION SHOULD BE CONTACTED FOR THE LATEST REVISION.		DWN J.VOS 28-MAY-08	Tyco Electronics Corporation 's-Hertogenbosch, Nederland	
DIMENSIONS: mm		CHK R.DAAMEN 28-MAY-08	NAME R.VD.SANDT	
TOLERANCES UNLESS OTHERWISE SPECIFIED:		APVD -	PRODUCT SPEC 108-19367	
0 PLC ±		APPLICATION SPEC 114-19122		
1 PLC ±0,1		WEIGHT -		
2 PLC ±0,05		CUSTOMER DRAWING		
3 PLC ±0,025		SCALE 1:1		
4 PLC ±		SHEET 2 OF 2		
ANGLES ±2°		REV A		
FINISH		RESTRICTED TO		

2	PLUG HOUSING	LCP 30% GF NATURAL
1	PLUG CONTACT	COPPER ALLOY
ITEM NO.	DESCRIPTION	MATERIAL

SIZE A2	CAGE CODE 00779	DRAWING NO. C-1982260	RESTRICTED TO
---------	-----------------	-----------------------	---------------