

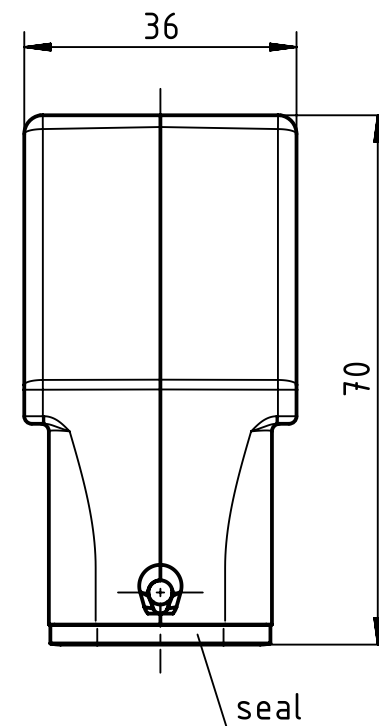
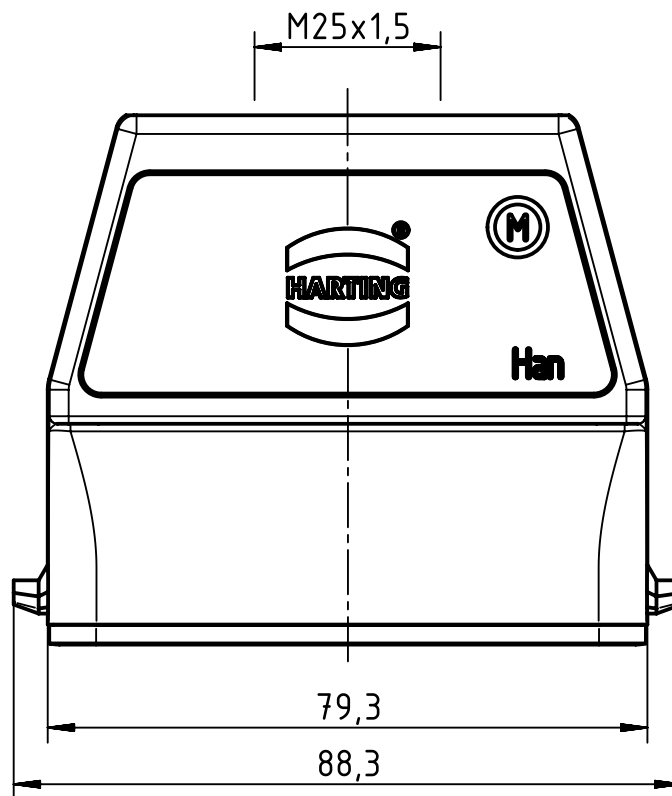
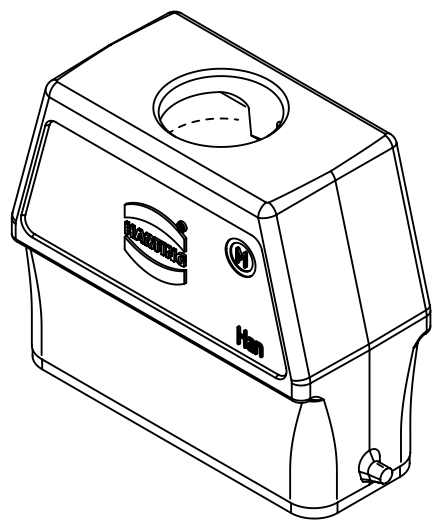
1 2 3 4 5 6


A

B

C

D



	All rights reserved Department EL PD - DE	All Dimensions in mm Original Size DIN A4		Scale 1:1	Free size tol.	Ref. Sub. TB 19 20 016 0446 v. 09.04.10	
		Created by HOLLERT	Inspected by SCHLEPP	Standardisation TIEMANNA	Date 2014-06-03	State Final Release	
HARTING Electric GmbH & Co. KG D-32339 Espelkamp		Title Han A Hood Top Entry HC 2 Pegs M25				Doc-Key / ECM-Nr. 100189509/UGD/004/A 500000065280	
		Type TB	Number 19 20 016 0446		Rev. A	Page 1/1	