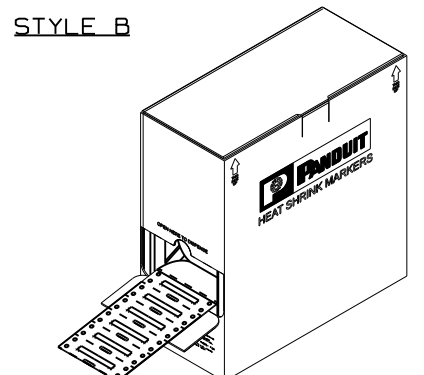
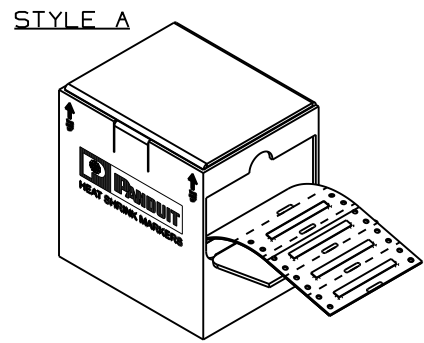
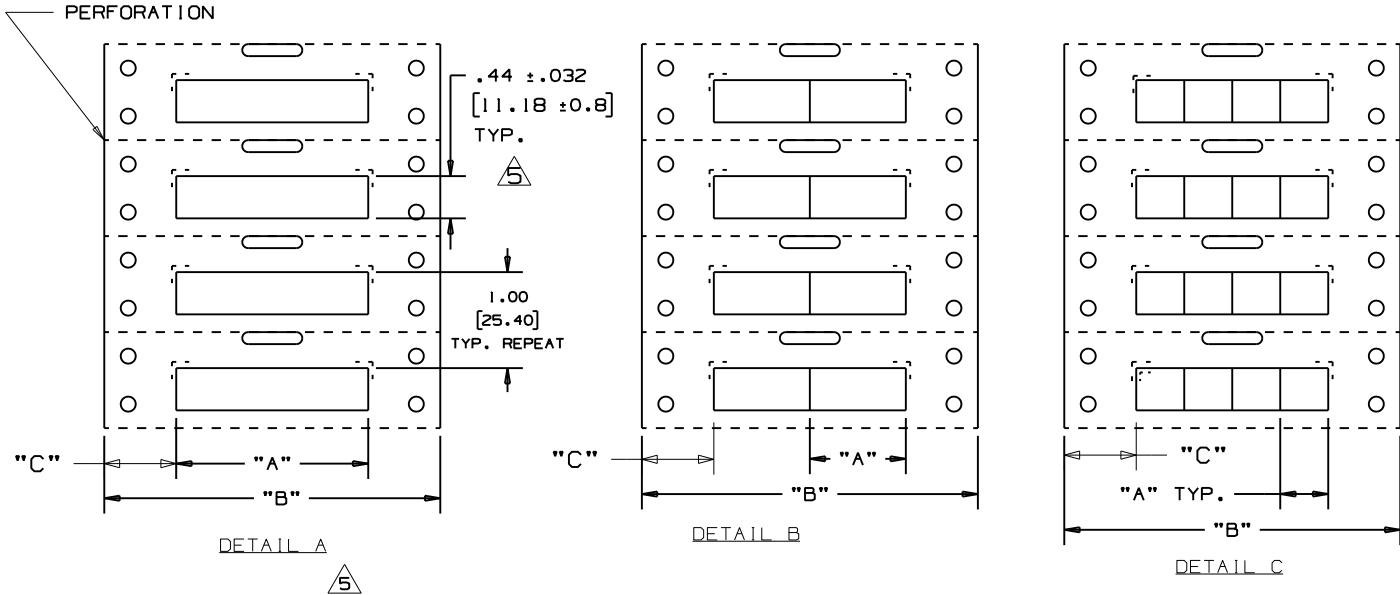


THIS COPY IS PROVIDED ON A RESTRICTED BASIS AND IS NOT TO BE USED IN ANY WAY DETRIMENTAL TO THE INTERESTS OF PANDUIT CORP.



PART NUMBER	SEE DETAIL	"A" +/- .062	"B"	"C"	MARKER ACROSS	TUBING COLOR	SEE STYLE	
H200X044F1T	A	2.00 [50.80]	3.50 [88.90]	.75 [19.1]	1	WHITE	A	
H100X044F1T	B	1.00 [25.40]		.75 [19.1]	2	WHITE		
H050X044F1T	C	0.50 [12.70]		.75 [19.1]	4	WHITE		
H150X044F1T	A	1.50 [38.10]		1.00 [25.4]	1	WHITE		
H075X044F1T	B	0.75 [19.05]		1.00 [25.4]	2	WHITE	A	
H200X044F2T	A	2.00 [50.80]		.75 [19.1]	1	YELLOW		
H100X044F2T	B	1.00 [25.40]		.75 [19.1]	2	YELLOW		
H050X044F2T	C	0.50 [12.70]		.75 [19.1]	4	YELLOW		
H200X044F1T-B	A	2.00 [50.80]		.75 [19.1]	1	WHITE		B
H100X044F1T-B	B	1.00 [25.40]		.75 [19.1]	2	WHITE		
H050X044F1T-B	C	0.50 [12.70]	.75 [19.1]	4	WHITE			
H150X044F1T-B	A	1.50 [38.10]	1.00 [25.4]	1	WHITE			
H075X044F1T-B	B	0.75 [19.05]	1.00 [25.4]	2	WHITE			

NOTES:
1. DIMENSIONS IN () ARE IN MILLIMETERS.

CAD FILENAME/LAYERS		100923NW_DC_C10221/01F	
 CORP. TINLEY PARK, ILLINOIS			
CUSTOMER DRAWING H***X044F** OPTIMUM COMPUTER PRINTABLE HEAT SHRINK MARKERS			
UNLESS OTHERWISE SPECIFIED, DIMENSIONAL TOLERANCES ARE:		 (.X) ± .12 (.XXX) ± .020 (.XX) ± .062 ANGLES ±	
UNLESS OTHERWISE SPECIFIED, ALL DIMENSIONS ARE GIVEN IN INCHES, THIRD ANGLE PROJECTION.		SCALE	
DRAWN BY RVU		MAT'L:	
DATE 9-29-04		HEATSHRINK TUBING GMHS31, 3.5 WIDE LINER	
CHK'D		DRAWING NO. C10221	
REV		DWG A SIZE	

REV	DATE	BY	CHK	DESCRIPTION	ECN	R	CUST	SUP
5	5/21/09	RVU		+/- .12, +/- .062, +/- .020 WAS +/- .03, +/- .032, +/- .010. HT: .44 +/- .032 WAS .440. MAT'L, HSK TUBING GMHS31, 3.5 WIDE LINER WAS GMHS. ADD "A" +/- .062. ADD STYLE B VIEW FOR BULK BOX. VIEW UPDATE.	5593			
4				VOID				
3	12/21/07	RVU		REVISED TUBING MATERIAL COLUMN WITH RAYCHEM AND SUMITOMO. ADDED H150X044F1T-B AND H075X044F1T-B.	5244			
2	12/4/07	RVU		(.XX) +/- .032 WAS (.XX) +/- .015.	5219			
1	1-31-07	RVU		REVISED VIEW OF BOX, & TOL. ADDED NOTES 1 & 2.	4859			
0	9-29-04	RVU		DRAWING RELEASE	0000			