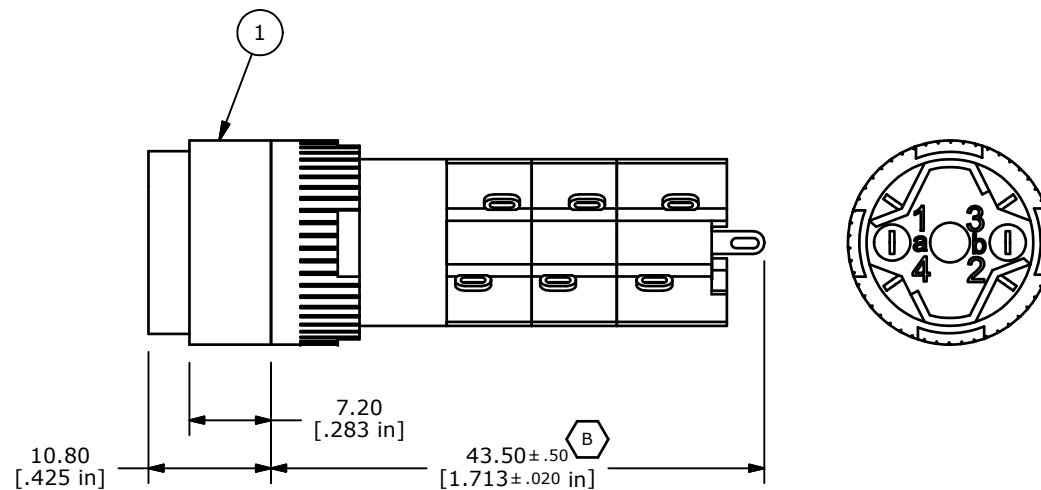
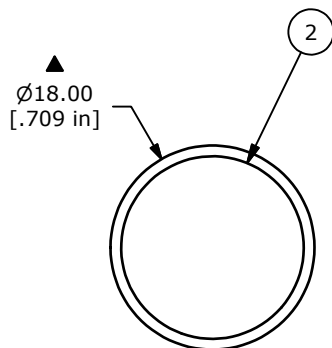


PANEL MOUNTING



NOTE:

1. ALL DIMENSIONS IN MM [INCH].
2. GENERAL TOLERANCE: X.X=±0.4
X.XX=±0.25
3. TERMINAL NUMBERS FOR REF ONLY.
- ▲4. CONTACT RATING: 5A @ 250VAC,
8A @ 125VAC,
6A @ 24VDC
5. ELECTRICAL LIFE: 50,000 OPERATIONS
6. INSULATION RESISTANCE: 1,000 MEGA-OHM MIN.
7. CONTACT MATERIAL: SILVER PLATED COPPER ALLOY
- ▲8. ACTUATION FORCE: 300g / POLE
9. OPERATING TEMP.: -25°C to +55°C
10. ▲ DENOTES CRITICAL PARAMETER.
11. 2002/95/EC (ROHS) COMPLIANT

PARTS LIST			
ITEM	QTY	PART NUMBER	DESCRIPTION
1	1	F040017	D16EER13
2	1	F050102	50-001-02 ROUND CONCAVE TRANSPARENT LENS

REV	PCR NO	DESCRIPTION	DATE	BY
B	19775	DRAWING CLEAN UP / UPDATE	3/21/11	BGL
A	14669	RELEASED FOR PRODUCTION	2/4/05	AR

E-SWITCH®

TITLE **D16EER130GRN**

SCALE 2:1	DATE 2/4/2005	DR AR	DWG XF0260P	REV B
------------------	----------------------	--------------	--------------------	--------------

THE INFORMATION CONTAINED IN THIS DOCUMENT IS PROPRIETARY TO E-SWITCH AND IS NOT TO BE COPIED OR TRANSFERRED