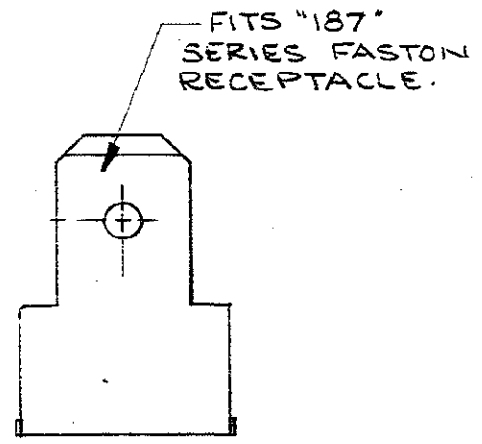
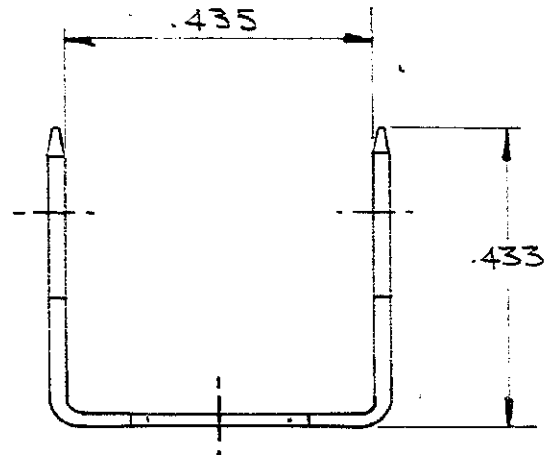
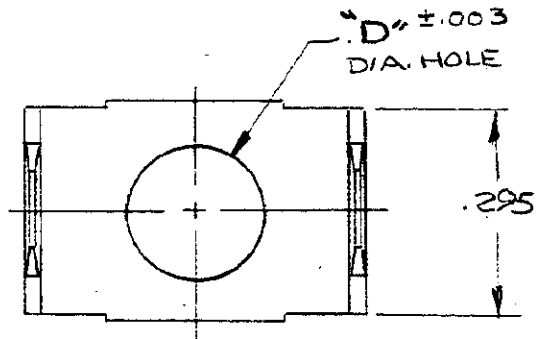


DRAWING MADE IN AMERICAN PROJECTION

NUMBER
61914



This terminal to be supplied in individual form, not as continuous strip.

TERMINAL NUMBER	MATERIAL AND FINISH	"D" HOLE
61914-1	.020 ± .001 BRASS-TIN	.197
61914-2	.020 ± .001 BRASS-TIN	.145

DIMENSIONS IN INCHES. DO NOT SCALE PRINT.

©1970 BY AMP INCORPORATED. ALL RIGHTS RESERVED. AMP PRODUCTS COVERED BY PATENTS AND/OR PATENTS PENDING.

CUSTOMER COPY REFERENCE ONLY

C	OBS - 2	3957/11/70	em	4/29/70
B	REVISED	P71714	em	4/29/70
A	RELEASED	A1755	em	4/29/70
WAS P70-7220				
DR	4-29-70	DE		
CHK	C-MEYERS	APP	4-29-70	

MATERIAL AND FINISH

WIRE RANGE INSULATION TYPE

TOLERANCE EXCEPT AS NOTED ± .015 ± 1° 0'

SCALE

NAME
TAB "187" SERIES FASTON

AMP AMP INCORPORATED HARRISBURG, PENNA.

CLASS

LOC AF A NO 61914 REV C