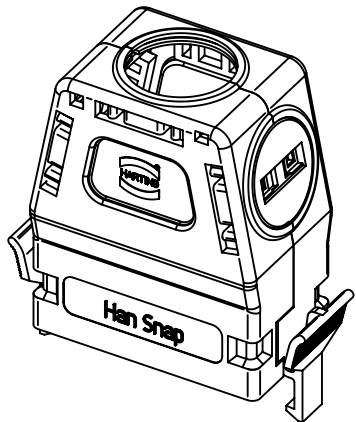


Blanking piece with slots for identification strip

HARTING - label 7x20  
SIEMENS - label 9x20

2 blanking pieces belongs to supply schedule

Usable for all inserts of the series Han B (e.g. : Han D, DD, K, HsB, HsC, ES, HvE, HvES, X)



	All Dimensions in mm Original Size DIN A4		Scale 1:1	Free size tol.		Ref.		
						Sub.		
	All rights reserved		Created by PRIESTER	Inspected by BERGHORN	Standardisation TIEMANNA	Date 2014-02-10	State Final Release	
	Department EL PD - DE		Title Han Snap Plastic Housing Size 10				Doc-Key / ECM-Nr. 100089124/UGD/004/A 500000071289	
HARTING Electric GmbH & Co. KG D-32339 Espelkamp			Type TB	Number 09 33 010 0401			Rev. A	Page 1/1