



# PRODUCT SPECIFICATION

**SPEC. No: W-1101-907**

**Attn:** \_\_\_\_\_

**DATE:** \_\_\_\_\_

CUSTOMER PRODUCT NAME:

TDK PRODUCT NAME:

**WT151512-22F2-ID**

THIS SPECIFICATION IS:

**REMARK:**

**Please sign this specification back after confirmation in two weeks.**

**If customer does not sign this specification back or customer releases an order to TDK in two weeks, TDK will deem that customer agrees the specification.**

## **TDK Corporation**

**Head Office Address:**

Shibaura Renasite Tower, 3-9-1 Shibaura, Minato-ku, Tokyo

108-0023 , Japan

**SALES**

MANAGER	SALES

**ENGINEERING**

APPROVED	CHECKED	ISSUED

Sales Office \_\_\_\_\_

Sales Tel. \_\_\_\_\_

PRODUCT	
---------	--

# REVISED HISTORY

CUSTOMER PRODUCT NAME: \_\_\_\_\_

TDK PRODUCT NAME: \_\_\_\_\_

**WT151512-22F2-ID**

NO.	REV.	REVISED CONTENT	REVISED REASON	DATE
1	0	To establish specification.		

# PRODUCT SPECIFICATION

TDK PRODUCT NAME: <b>WT151512-22F2-ID</b>	SPEC. NO. W-1101-907	CUSTOMER PRODUCT NAME:
--	-------------------------	------------------------

**(0) Part No. definition**

Weight: 1.65 g (Typ.)

WT151512-22F2-ID

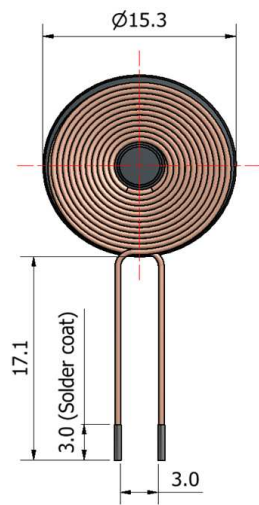
WT : Wireless charging Tx, 22 : Wire turn number,

151512 : Size (XYT), F2 : Ferrite sheet material

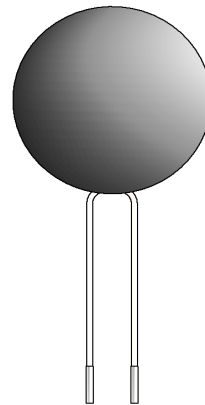
ID : Specific number for Customer

**(1) Mechanical Dimension (Unit: mm)**

**Top View**



**Bottom View**



**Side View**



**(2) Remarks**

Marking Content:

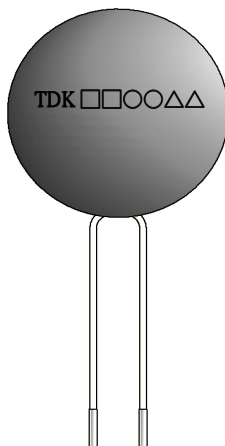
b. Lot No.: TDK 12 34 56

① ② ③

① Year: 2016 : 16 , 2017 : 17

② Month: 01...12

③ Day : 01,...31.



# PRODUCT SPECIFICATION

TDK PRODUCT NAME: <b>WT151512-22F2-ID</b>	SPEC. NO. W-1101-907	CUSTOMER PRODUCT NAME:
--	-------------------------	------------------------

## (3) Air coil specification

No.	Wire Type:	Wire spec.	Turns	Layer
1	USTC	$\phi 0.1 \times 10$	22Ts	2

## (4-1) Electrical Characteristics

Items	Parameter	Specification	Test Instrument
1	Inductance	$6.80 \mu\text{H} \pm 5\%$	Agilent E4980A LCR METER or EQUIVALENT (@100kHz 1.0 Vrms)
2	Rs	$0.176 \Omega \pm 10\%$	Agilent E4980A LCR METER or EQUIVALENT (@100kHz 1.0 Vrms)

## (4-2) Temperature Characteristics

	Parameter	Specification
1	Operating Temperature	$-30 \sim 70^{\circ}\text{C}$
2	Storage Temperature	$-40 \sim 85^{\circ}\text{C}$

# PRODUCT SPECIFICATION

TDK PRODUCT NAME: <b>WT151512-22F2-ID</b>	SPEC. NO. W-1101-907	CUSTOMER PRODUCT NAME:
--	-------------------------	------------------------

## (5) Reliability Conditions

NO.	Parameter	Conditions
1	Low Temperature (Storage)	(1) Temperature : $-40\pm 2^{\circ}\text{C}$ (2) Time : 240Hrs
2	High Temperature (Storage)	(1) Temperature : $+85\pm 2^{\circ}\text{C}$ (2) Time : 240Hrs
3	Thermal Shock (Storage)	(1) Temperature : $-40\pm 5^{\circ}\text{C}$ / 30min ~ $+85\pm 5^{\circ}\text{C}$ / 30min (2) Ambient Time : 5min (3) Times : 200cycles
4	Vibration (sinusoidal)	Unpacked: (1) frequency: 10~350Hz sweep octave wave(10~350~10 for 1 min) (2) Amplitude: 1.5mm(p-p) or 10G (3) Direction: X.Y.Z. direction (4) Time: X.Y.Z each 2 hours.
5	Shock Test	Fixed within the jig (1) Acceleration : 1000m / s <sup>2</sup> (2) Pulse width : 6 msec (3) Direction: X.Y.Z. direction (4) Frequency of shock : 3 times each , (Total 18 times)
6	Free fall	(1) Height : 160cm to the concrete floor (fixture weight : 160g ) (2) Direction : 6 directions (3) Times : 3 times / direction
7	Packaging test	(1) Drop the sample packaged in a carton box. (2) Height : 100 cm (3) Direction : 1 corner, 3 edges, 6 faces (4) Drop time : 10 times
8	Temp. / Humidity (storage)	(1) Temperature : $+60\pm 2^{\circ}\text{C}$ (2) Humidity: 90% R.H. (3) Time: 240Hrs

# PRODUCT SPECIFICATION

TDK PRODUCT NAME:

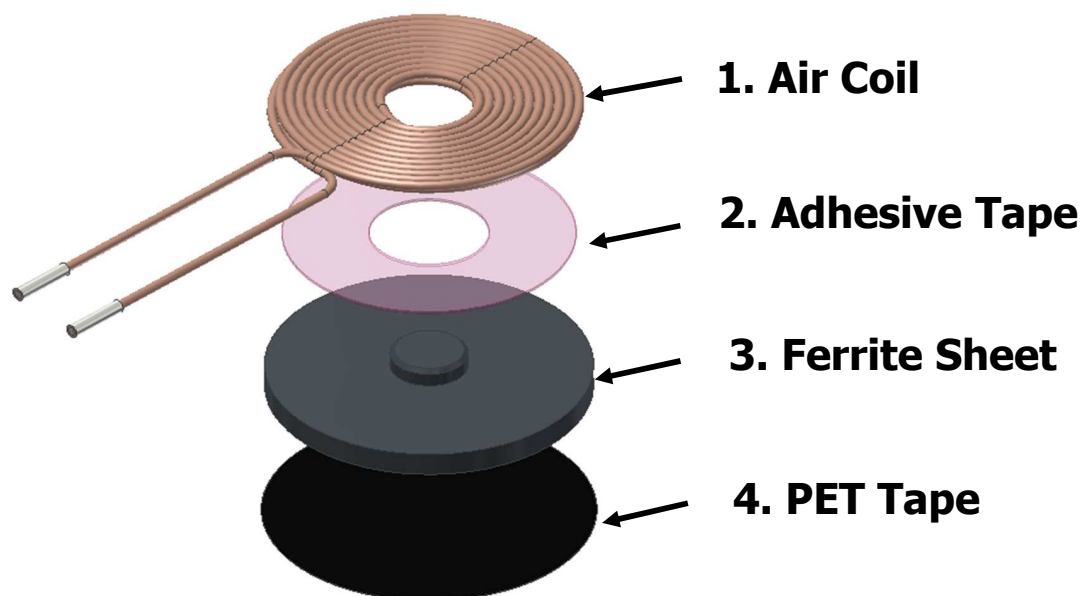
**WT151512-22F2-ID**

SPEC. NO.

W-1101-907

CUSTOMER PRODUCT NAME:

## (6) Construction



# PRODUCT SPECIFICATION

TDK PRODUCT NAME:

**WT151512-22F2-ID**

SPEC. NO.

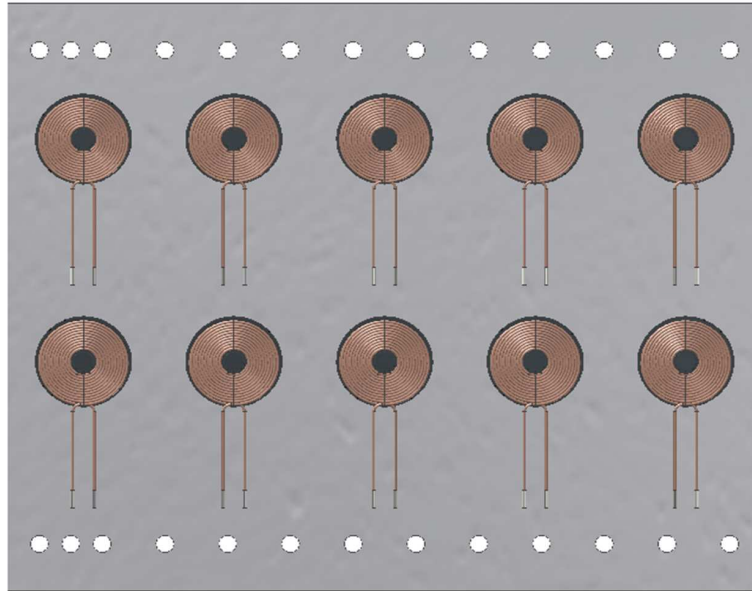
W-1101-907

CUSTOMER PRODUCT NAME:

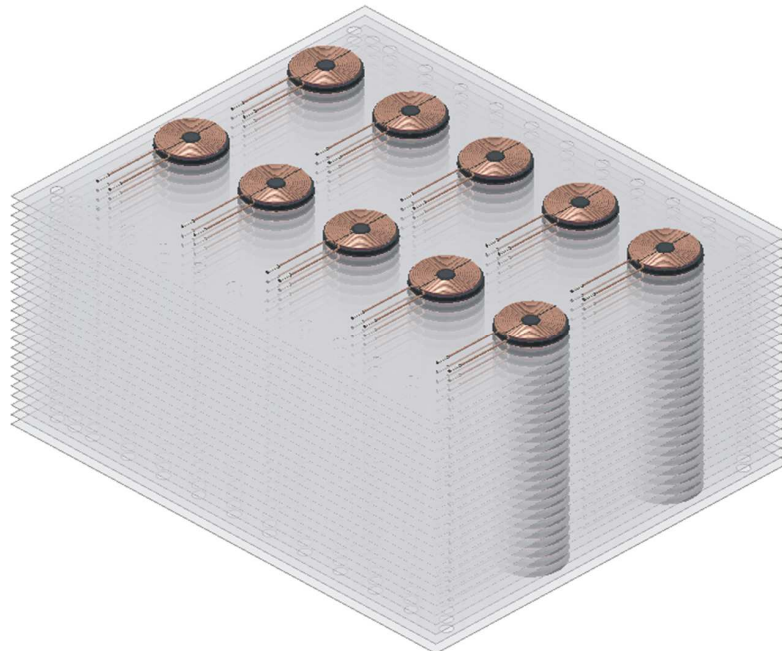
## (8) Packing

1. To stack the the Trays onto 25 Layers. :

- SHEET dimension: 120\*100\*0.8mm (REF.)
- 10Pcs / per sheet



Total : Total = 10pcs



25-Layers

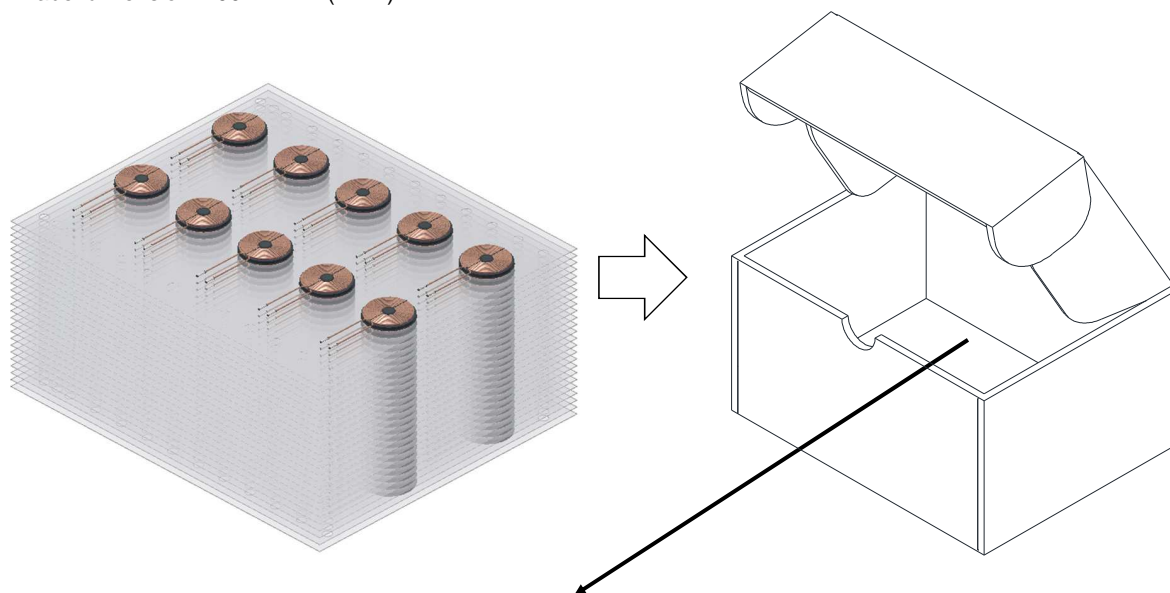
Total : 25x10=250pcs

# PRODUCT SPECIFICATION

TDK PRODUCT NAME: <b>WT151512-22F2-ID</b>	SPEC. NO. <b>W-1101-907</b>	CUSTOMER PRODUCT NAME:
--	--------------------------------	------------------------

2. To put 25 Sheets of products into the small Carton and affixing the out-going label on the outside .

- 25pcs SHEETS / per small carton ( One Sheet of the top side is empty in the small carton)
- In carton label should be located on the lower right and lower left hand corner of top face
- Small carton dimension: 131x118.5x85mm (REF.)
- Label dimension: 100\*42 mm (REF.)



Product package label



# PRODUCT SPECIFICATION

TDK PRODUCT NAME:

**WT151512-22F2-ID**

SPEC. NO.

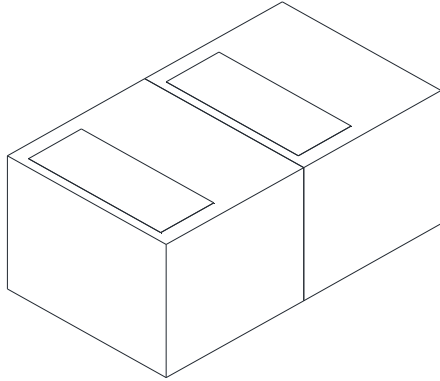
W-1101-907

CUSTOMER PRODUCT NAME:

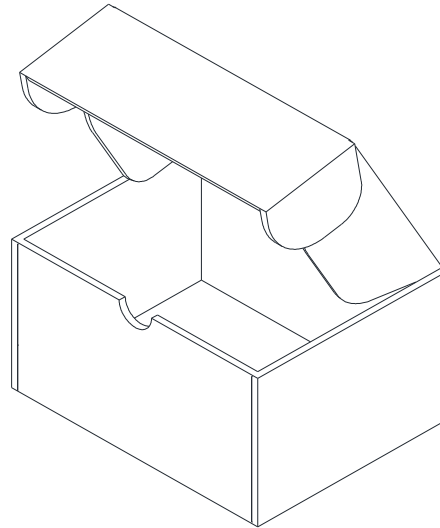
3. To put 2 small cartons into the Outer Carton .

- Outer carton dimension: 274x176x122mm (REF.)

- Total quantity : 500 Pcs



2 small cartons



Outer carton

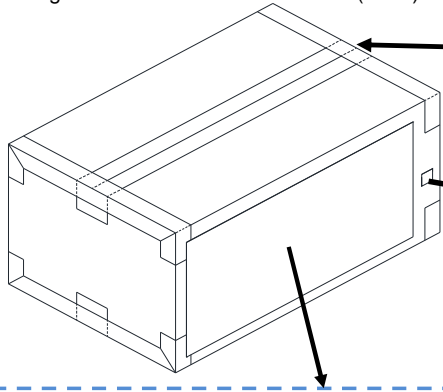
4. Packing.

-To pack the carton by scotch tape and affix out-going label (outside) on it outside.

-The Inspection data in the Outer Carton , there would be a signet mark on it outside.

-In carton label should be located on the lower left hand corner of greatest face.

-Receiving label dimension: 210\*100 mm (REF.)



signet mark of Inspection data

(3S) TTW+WL11K0600200101400000360 		<b>CUSTOMER:</b>	
(6S) C/NO:1 	BOX COUNT <b>001/009</b>	CUST. PART NO(P): 	
<b>SHIPPING MARK</b>		TDK ITEM CODE(GP): TTXDFxxxx TWN 	
<b>SAMPLE</b>		P/O NO.(K): TTTT - 5123456789 	
		LOT NO.(I): WL12345678 	DATE 5.05.2016
Location		QTY(Q): 500 	
		TDK ITEM (IP): WT151512-22F2-ID 	
MADE IN TAIWAN WL12K34567 12345A6789 		(WT151512-22F2-ID)	
		SUB P/O NO.(6K): 4500059424 	
C/NO:1		TDK SPEC.	
WAREHOUSE ( CT )	NW 5.22 GW 6.50	TDK TAIWAN CORPORATION YANGMEI, TAIWAN 9	
		TTXDF10151	

Receiving label format

