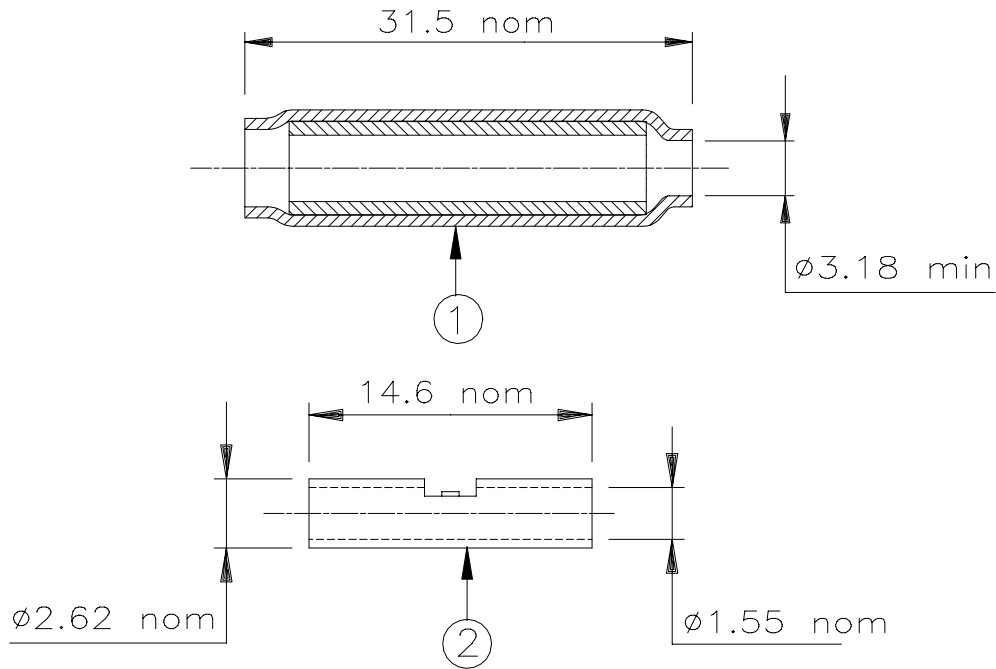


SPECIFICATION CONTROL DRAWING



MATERIALS

1. INSULATION SLEEVE: Heat-shrinkable, transparent clear, polytetrafluoroethylene.
2. CRIMP FERRULE: Nickel plated copper alloy.

APPLICATION

1. This kit provides an immersion resistant sealed in-line Crimp Splice for single wire splicing. Multiple in-line assemblies are also possible within the size range of area conductor 0.4 to 1 mm².
It is suitable for use with wire whose insulation is rated at 150°C minimum.
The kit is rated at 260°C.
2. For installation procedure, see RPIP-685-00.

* A trademark of Raychem Corporation.

Raychem		THERMOFIT DEVICES	Raychem Corporation 300 Constitution Drive Menlo Park, CA 94025 USA	TITLE: IN-LINE SEALED CRIMP SPLICE			
UNLESS OTHERWISE SPECIFIED DIMENSIONS ARE IN MILLIMETERS. INCHES DIMENSIONS ARE BETWEEN BRACKETS.				DOCUMENT NO.: W-096-02-01			
TOLERANCES: 0.00 N/A 0.0 N/A 0 N/A	ANGLES: N/A ROUGHNESS IN MICRON	Raychem reserves the right to amend this drawing at any time. Users should evaluate the suitability of the product for their application.		DCR NUMBER: D981098		REPLACES: W0960201	
DRAWN BY: M. FORONDA	DATE: 06/17/98	PROD. REV. B	DOC ISSUE: 1	SCALE: None	SIZE: A	SHEET: 1 of 1	

If this document is printed it becomes uncontrolled. Check for the latest revision