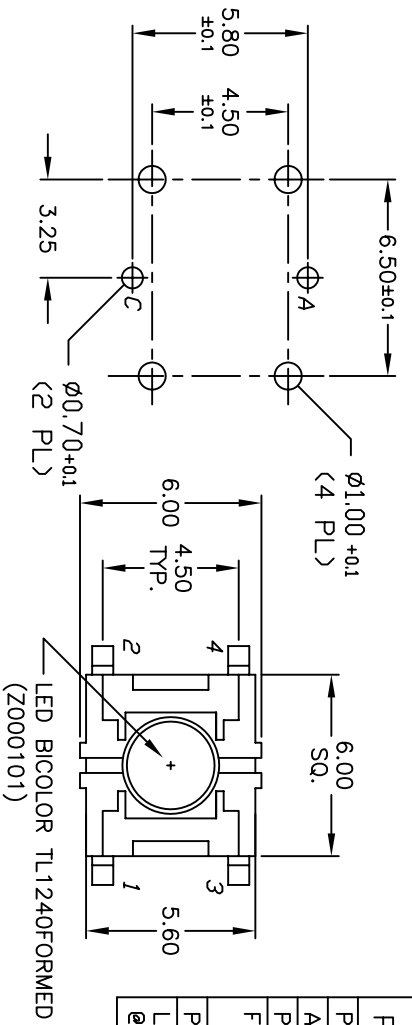
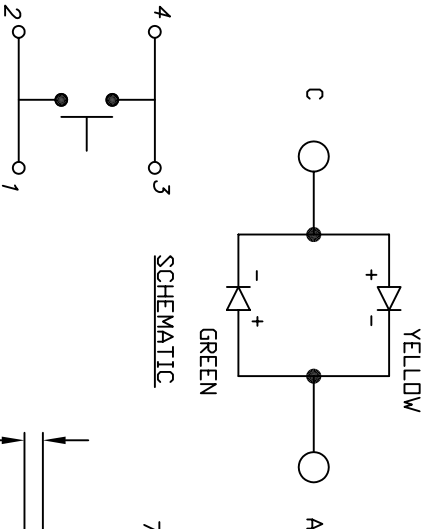


L.E.D INFO:

PARAMETERS	SYMBOL	YELLOW		GREEN		UNITS
		MAX. MIN.	TYP.	MAX. MIN.	TYP.	
POWER DISSIPATION	P_D	105	-	105	-	mW
AVE FORWARD CURRENT (DC)	I_F	30	-	25	-	mA
PEAK FORWARD CURRENT	I_{PF}	140	-	140	-	mA
FORWARD VOLTAGE	V_F	2.5	2.1	2.5	2.2	V
PEAK EMISSION WAVELENGTH	λ_D	-	590	-	565	nm
LUMINOUS INTENSITY @ 20mA	I_v	-	10.0	-	20.0	mcd



RECOMMENDED P.C.B. LAYOUT

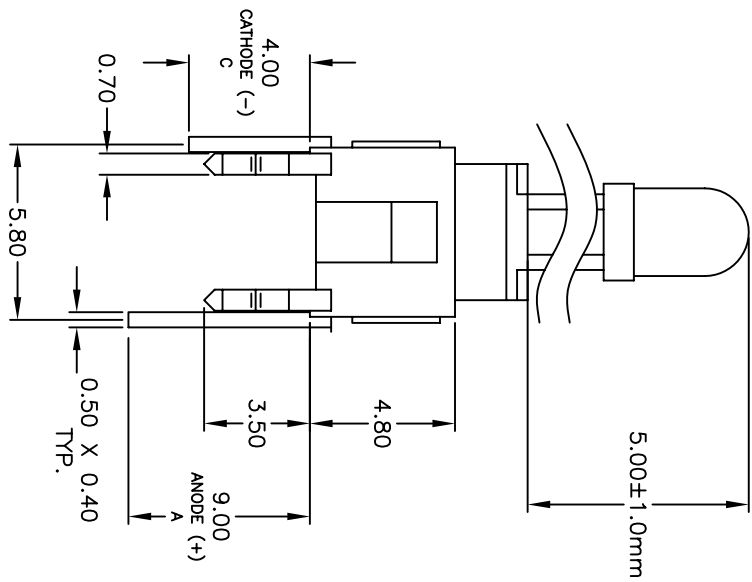
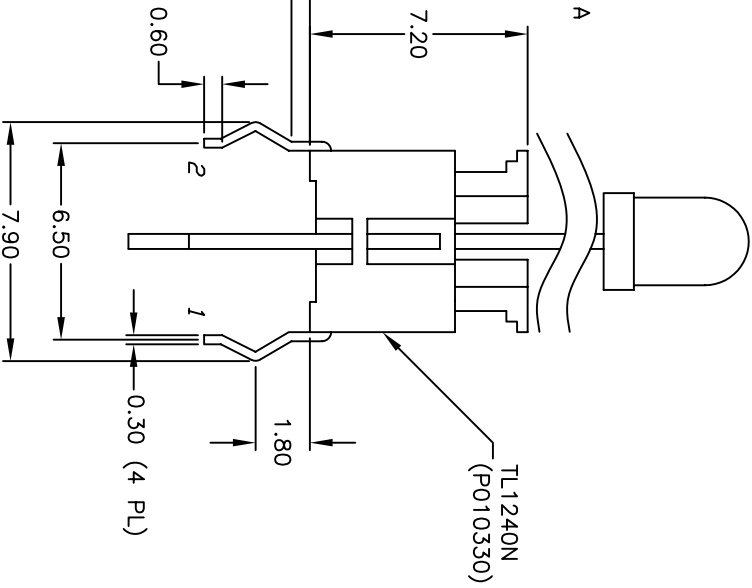


CIRCUIT: SPST

CONTACT CONFIGURATION

NOTES:

1. ALL DIMENSIONS IN MM
2. GENERAL TOLERANCE: X.X=±0.4 X.XX=±0.25
3. RATING: 50mA, 12VDC
4. TRAVEL: 0.25 +0.2/0.1mm
5. OPERATING FORCE: 160±50gf



B	15129	REVISED DRAWING No., WAS XP0276P	8/2/05	RC
A	15074	RELEASED FOR PRODUCTION	7/8/05	JB
REV.	ECN No.	DESCRIPTION	DATE	CHKD

TITLE	SCALE	DATE	DR	DWG	REV
TL1240 BI-COLOR GREEN YELLOW	4:1	7/8/05	JB	XP0277P	B

THE INFORMATION CONTAINED IN THIS DOCUMENT IS PROPRIETARY TO E-SWITCH AND IS NOT TO BE COPIED OR TRANSFERRED