

480W Single Output DIN Rail Mount Power Supplies

Features

- ◆ Low Cost
- ◆ 24V or 48V Outputs
- ◆ Wide Range AC Input
- ◆ Active PFC
- ◆ Parallel Function Switch
- ◆ -40 to +71°C Operation
- ◆ Convection Cooled



Key Market Segments & Applications



Industrial



RoHS

Specifications		
Model	DPP480-xx-1	
AC Input Voltage range	VAC	90 - 264VAC, single phase
Input Frequency	Hz	47 - 63Hz
DC Input Voltage range	VDC	120 - 370VDC*
Inrush Current	A	25 / 50A (115 / 230VAC)
Power Factor	-	Meets EN61000-3-2 Class A
Input Current	A	6.9 / 3.3A (115 / 230VAC)
Output Voltage Accuracy	%	-0, +1% of Nominal
Line Regulation	%	±0.5%
Load Regulation	%	±1% (±5% when set in parallel mode)
Ripple and Noise (20MHz BW)	mV	100mV
Overcurrent Protection (Typ)	-	110 - 140%
Overvoltage Protection	V	See model selector
Overtemperature Protection	-	-
Hold Up Time (115VAC input)	ms	> 35ms
Parallel operation	-	Set in parallel (droop) mode - maximum of 3
LED Indicators	-	Green LED = On, Red LED = DC Output Low
DC Good Relay (24V model only)	-	0.3A rated normally open relay contacts, closes when output is above 17.6 - 19.4V
Operating Temperature	°C	-40 to +71°C (Derate linearly 2.5%/°C from 56 to 71°C)
Storage Temperature	°C	-40 to +85°C
Operating Humidity	-	20 - 95% RH (non condensing)
Cooling (1)	-	Convection
Withstand Voltage	-	Input to Output 3kVAC for 1 min.
Isolation Resistance	-	>100M at 25°C & 70%RH, Output to Ground 500VDC
Vibration (Operating)	-	IEC 60068-2-6 (Mounting by rail: Random wave, 10-500 Hz, 2G, ea. along X, Y, Z axes 10 min/cycle, 60 min)
Shock (Operating)	-	IEC 60068-2-27 (Half sine wave, 4G, 22ms, 3 axes, 6 Faces, 3 times for each face)
Safety Agency Approvals	-	UL508 Listed, UL60950-1, EN60950-1, CE
Conducted & Radiated EMI	-	EN55022 class B
Immunity	-	IEC 61000-4-2, -3, 4, -5, -6, -8, -11
Weight (Typ)	g	1800g
Size (WxHxD)	in	6.89 x 4.92 x 4.57
Case material	-	Metal
Warranty	yrs	Three years

(1) Recommend 1" clearance on all sides

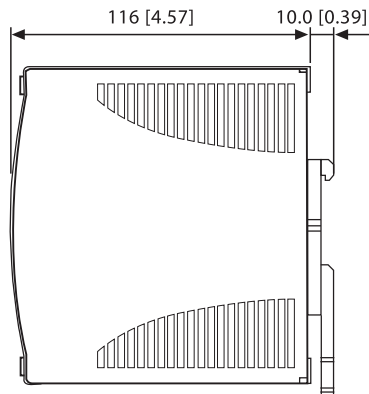
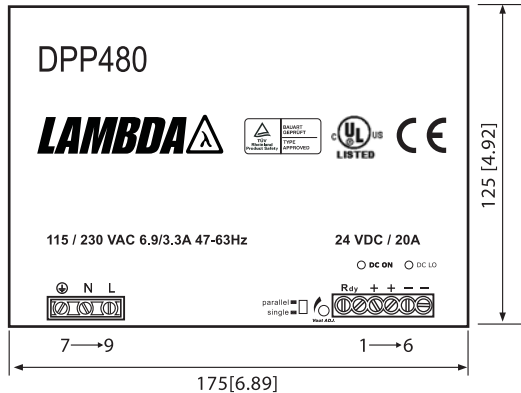
*Safety certified for AC input only

Model Selector

Model	Voltage	Adjust. Range	Output Curr.	Over-voltage	Eff.
DPP480-24-1	24V	22.5 - 28.5V	20A	30 - 33V	89%
DPP480-48-1	48V	47 - 56V	10A	57 - 63V	90%

Outline Drawing (DPP480-24-1)

mm [inch]



Accepts TS35/7.5 or TS35/15 DIN Rails

Terminal Assignments

#	DPP480-xx-1
1	DC Good relay
2	DC Good relay
3	+V
4	+V
5	-V
6	-V
7	Chassis ground
8	N
9	L
10	No connection

Snap-on Mounting: snap onto DIN Rail TS35/7.5 or TS35/15. (no tools required)

Options

Suffix	Description
Blank	Non detachable connectors
B	Detachable input and output connectors

Other Industrial Products

DPP/DSP	10W to 960W, 5V to 48V power supplies
DLP	75W to 240W power supplies
DLP-PU	Redundancy Module (20A)
R Series	6A to 1000A single & three phase EMI Filters

For Additional Information, please visit us.tdk-lambda.com/lp/products/dpp-series.htm

