

MOUNTING INTERFACE (MI-12)

NOTES

1. FOCAL LENGTH = 31.8mm
2. APPLICABLE BULB CAP: P21W(BA15s)
3. MATES WITH

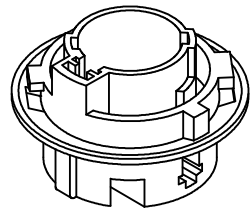
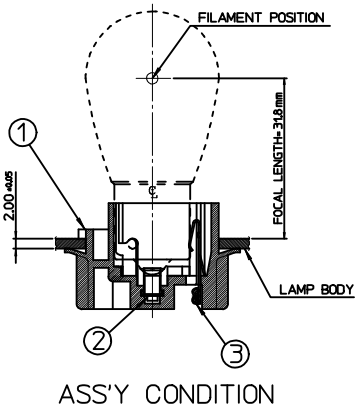
| NO. | DESCRIPTION | MATERIAL | ORDER NO. | REMARK |
|-----|-------------------|-----------------|------------|----------|
| ② | POSITIVE TERMINAL | PHOSPHOR BRONZE | 35438-8000 | UNPLATED |
| ③ | EARTH TERMINAL | PHOSPHOR BRONZE | 35439-8000 | UNPLATED |

<PART LIST>

| NO. | DESCRIPTION | MATERIAL | USAGE | REMARK |
|-----|---------------|----------|-------|--------|
| ① | SINGLE SOCKET | PA66 | 1 | C TYPE |

<TABLE 1>

| MATERIAL NO. | ORDER NO. | COLOR |
|--------------|------------|-------|
| 355330221 | 35533-0221 | BLACK |
| 355330224 | 35533-0224 | BLUE |
| 355330225 | 35533-0225 | GRAY |
| 355330226 | 35533-0226 | WHITE |



REVISED
EC NO: KTR2015-0097
DRAWN: YIBAEK 2015/04/24
CHKD:
APPR: JYCHO1 2015/05/04

QUALITY SYMBOLS
▽=0
∇=0

GENERAL TOLERANCES (UNLESS SPECIFIED)

| | mm | INCH |
|---------------|-------|-------|
| 4 PLACES | ± --- | ± --- |
| 3 PLACES | ± --- | ± --- |
| 2 PLACES | ± 0.2 | ± --- |
| 1 PLACE | ± 0.3 | ± --- |
| ANGULAR ± 3 ° | | |

DRAFT WHERE APPLICABLE MUST REMAIN WITHIN DIMENSIONS

DIMENSION STYLE
MM ONLY

| DRAWN BY | DATE | TITLE |
|-------------|------------|--|
| JSKANG | 1998/01/31 | NON-SEALED BULB SOCKET SINGLE HOUSING ASS'Y (C-TYPE) |
| CHECKED BY | DATE | |
| BKCHO1 | 1998/01/31 | |
| APPROVED BY | DATE | |
| CWLEE | 1998/01/31 | |

MATERIAL NO. SEE TABLE 1

SCALE 1:1
DESIGN UNITS METRIC
THIRD ANGLE PROJECTION

MOLEX INCORPORATED
DOCUMENT NO. SD-35533-003
SHEET NO. 1 OF 1

THIS DRAWING CONTAINS INFORMATION THAT IS PROPRIETARY TO MOLEX INCORPORATED AND SHOULD NOT BE USED WITHOUT WRITTEN PERMISSION