

4

3

2

1

D

D

C

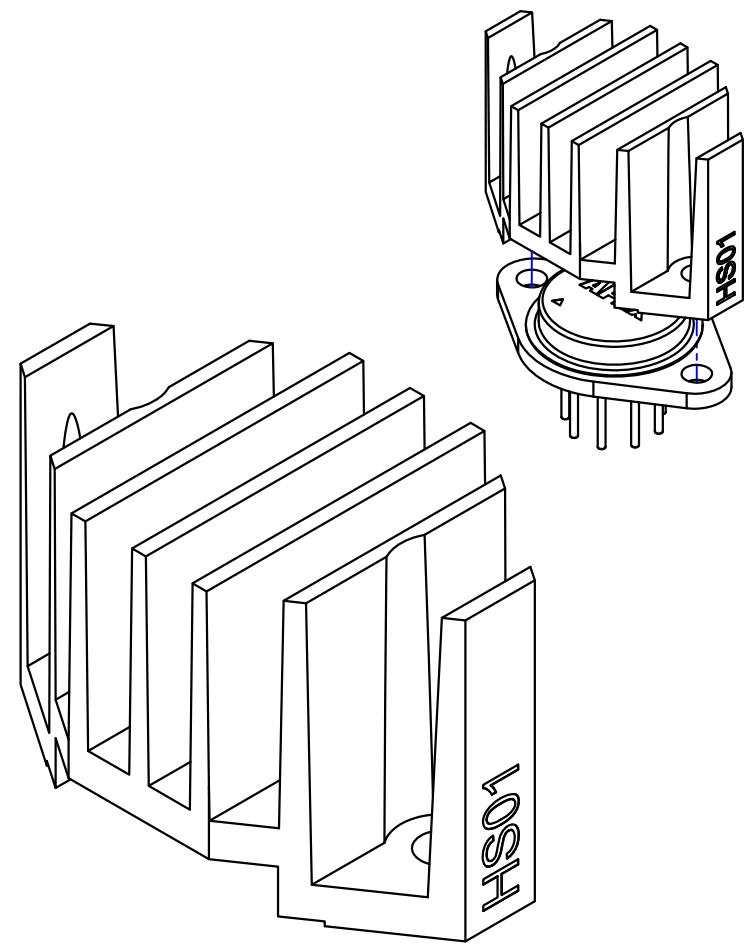
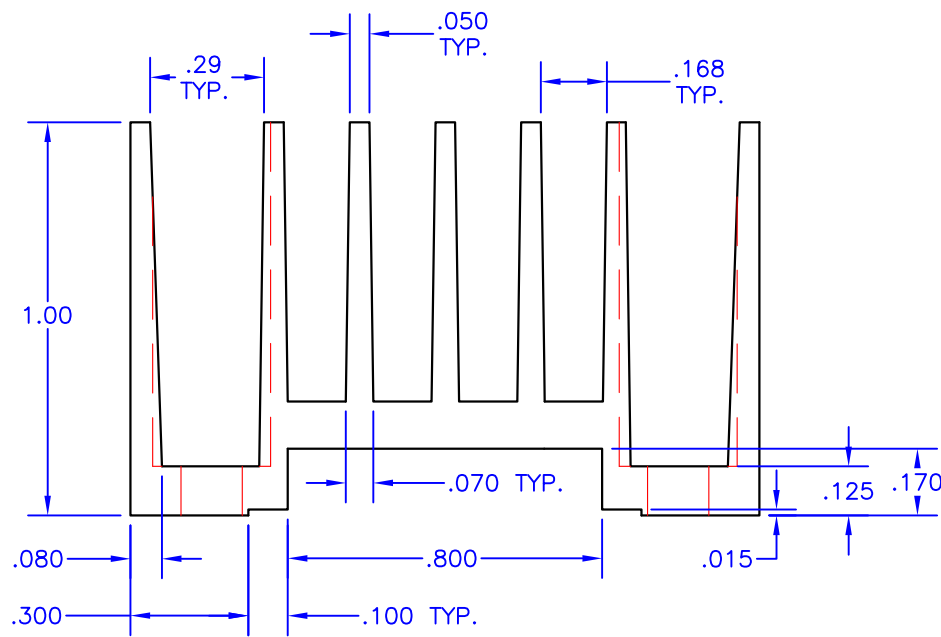
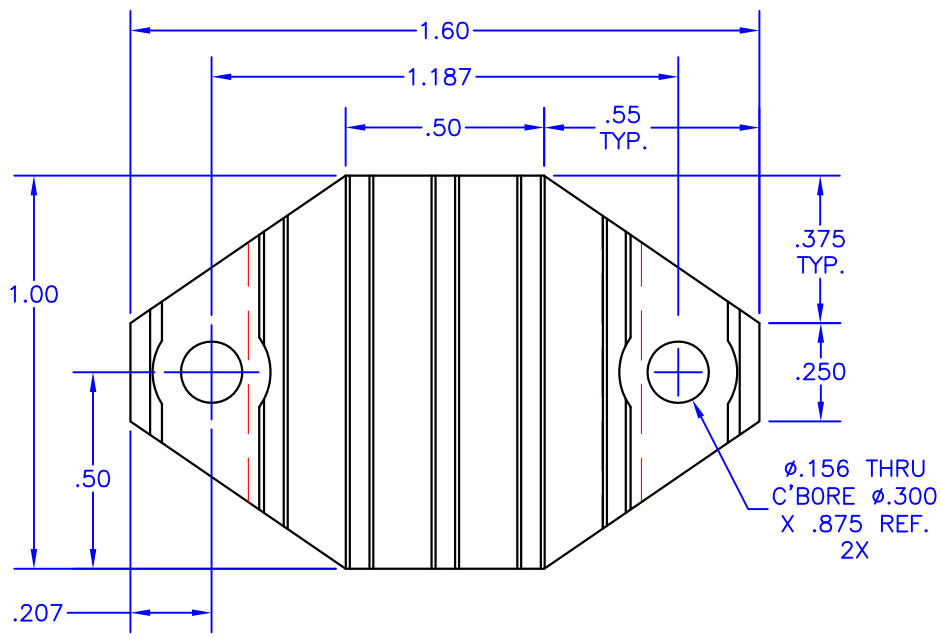
C

B

B

A

A



NOTES:

1. Unless otherwise noted, all dimensions are in inches.
2. Break all sharp edges, de-burr & remove loose chips.
3. Material: Aluminum (M/F AAVID Thermalloy NP971944)
4. Finish: Anodize per MIL-A-8625, Type II, Class 2, Black
Typical breakdown voltage > 300V
5. Mark with contrasting ink as shown, if specified by P.O.
6. Approximate Weight: 0.6 oz [17g]
7. Thermal rating 11.6 °C/W

TOLERANCES - UNLESS OTHERWISE SPECIFIED .XX = ±.01 [.254] .XXX = ±.005 [.127] ANG. = ±5°		TITLE: HEATSINK, TO-3				MODEL: HS01	
		SUBJECT: MECHANICAL DRAWING					
ENGINEER: D-M	DRAWN BY: RMOR	DCA: 13356	SH: 1	OF: 1	FILENAME: HS01	REV: J	DATE: 14OCT13

4

3

2

1