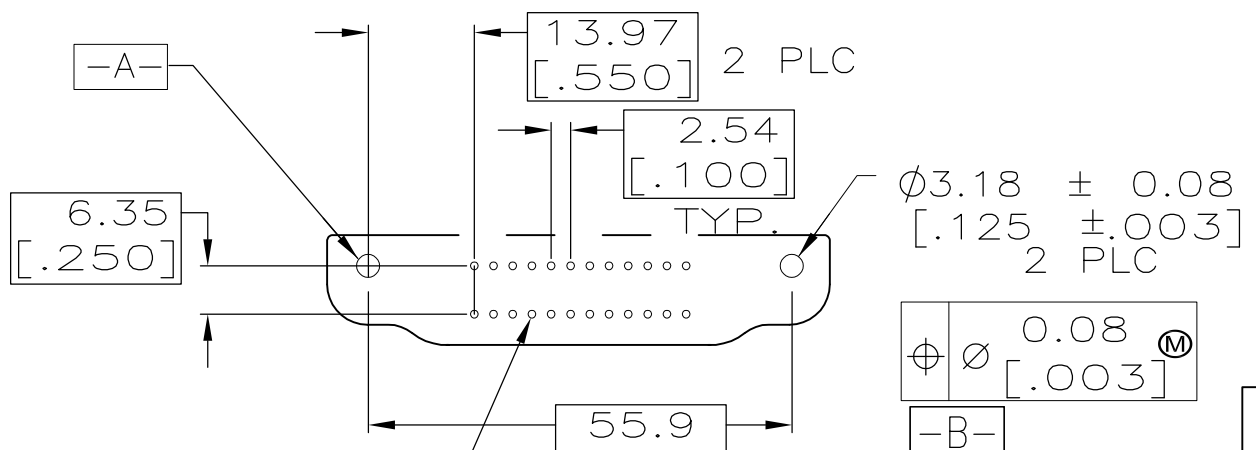
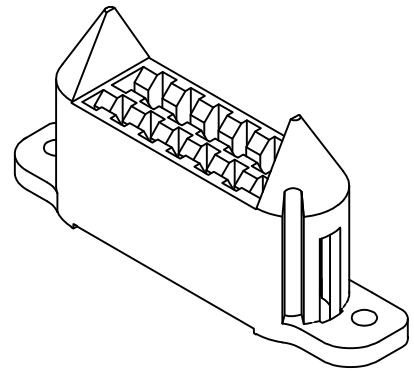
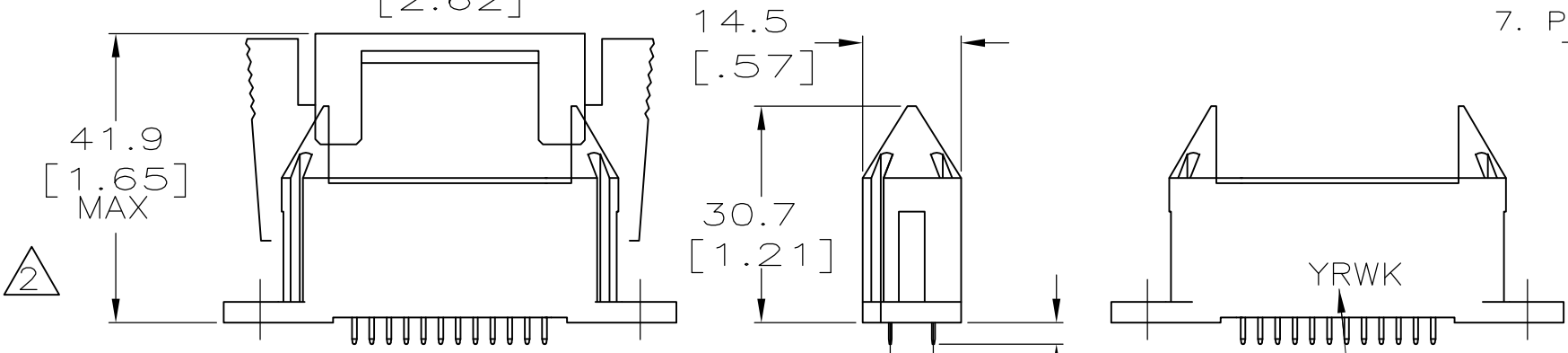
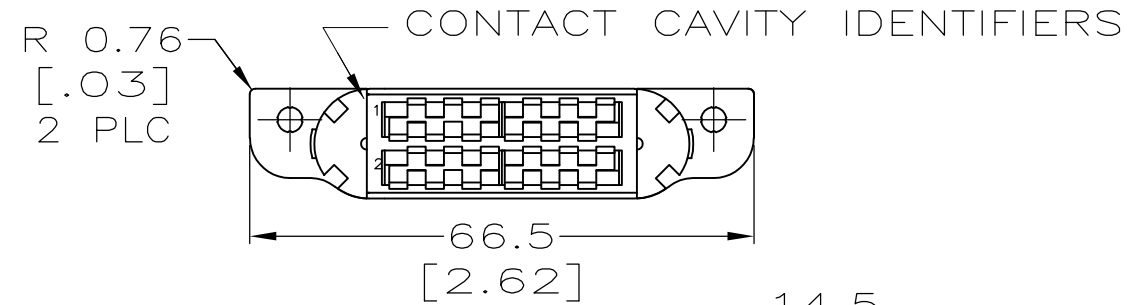


THIS DRAWING IS UNPUBLISHED. RELEASED FOR PUBLICATION
 © COPYRIGHT - BY TYCO ELECTRONICS CORPORATION. ALL RIGHTS RESERVED.

AMPOWER and ACTION PIN are registered trademarks of AMP Incorporated.

LOC	DIST	REVISIONS					
GP	00	P	LTR	DESCRIPTION	DATE	DWN	APVD
		B		REV PE ECO-10-021237	19JAN2011	RG	MS

- 1 FINISH: SILVER ON MATING END ALL OVER NICKEL
 - 2 HEIGHT OF MATED ASSEMBLY.
 - 3 HOUSING, HIGH TEMP
 - 4 HOLE DIAMETER AFTER PLATING.
 - 5 ADD 2-DIGIT YEAR AND 2 DIGIT WEEK CODE IN CONTRASTING COLOR, INDELIBLE INK, .13" CHARACTER HEIGHT APPROX AS SHOWN (NOTE CONDUCTOR 1 & 3 SIDE OF HOUSING).
6. MOUNTING HARDWARE, 2 #4-40 SCREWS AND NUTS OR 2 EYELETS (P/N 748572-2) ARE REQUIRED.
7. PRODUCT AND PROCESSING MUST MEET REQUIREMENTS OF TYCO ELECTRONICS STANDARD 230-702.



RECOMMENDED HOLE PATTERN (TOP SIDE VIEW)

OBSOLETE	7.7 [.31]	6.35 [.250]	THK PCB	5765527-4
OBSOLETE	5.9 [.24]	4.75 [.187]	THK PCB	5765527-3
	4.1 [.16]	3.18 [.125]	THK PCB	5765527-2
	3.3 [.13]	1.57-2.36 [.062-.093]	THK PCB	5765527-1
	DIM "A"		DESCRIPTION	

THIS DRAWING IS A CONTROLLED DOCUMENT.		DWN E.C. CLAYBAUGH 02/DEC/05	Tyco Electronics Tyco Electronics Corporation Harrisburg, PA 17105-3608	
DIMENSIONS: mm [INCHES]		CHK 05/DEC/05	NAME AMPOWER Wave Crimp System HEADER ASSEMBLY, .100 CL, VERTICAL DRAWER CONNECTOR	
TOLERANCES UNLESS OTHERWISE SPECIFIED: 0 PLC ± - 1 PLC ± - 2 PLC ± 0.25 [.010] 3 PLC ± 0.13 [.005] 4 PLC ± - ANGLES ± -		APVD J. SCHOLZ 07/DEC/05	PRODUCT SPEC 108-1319	
MATERIAL HIGH TEMP 3		FINISH 1	APPLICATION SPEC 114-49005	RESTRICTED TO -
CUSTOMER DRAWING		WEIGHT -	SIZE A3	CAGE CODE 00779
		DRAWING NO C-5765527		SCALE N.T.S.
		SHEET 1 OF 1		REV B