

4

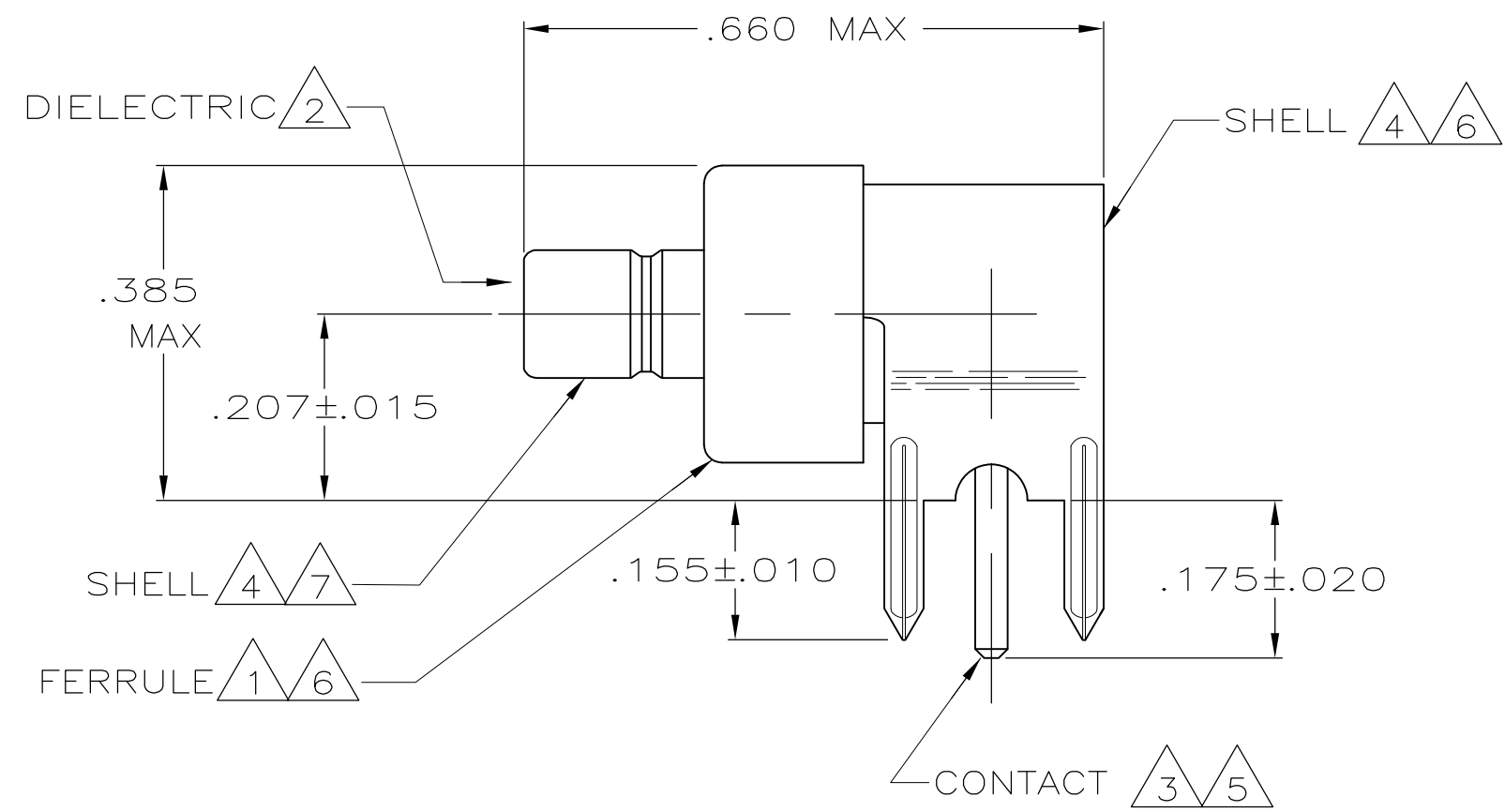
3

2

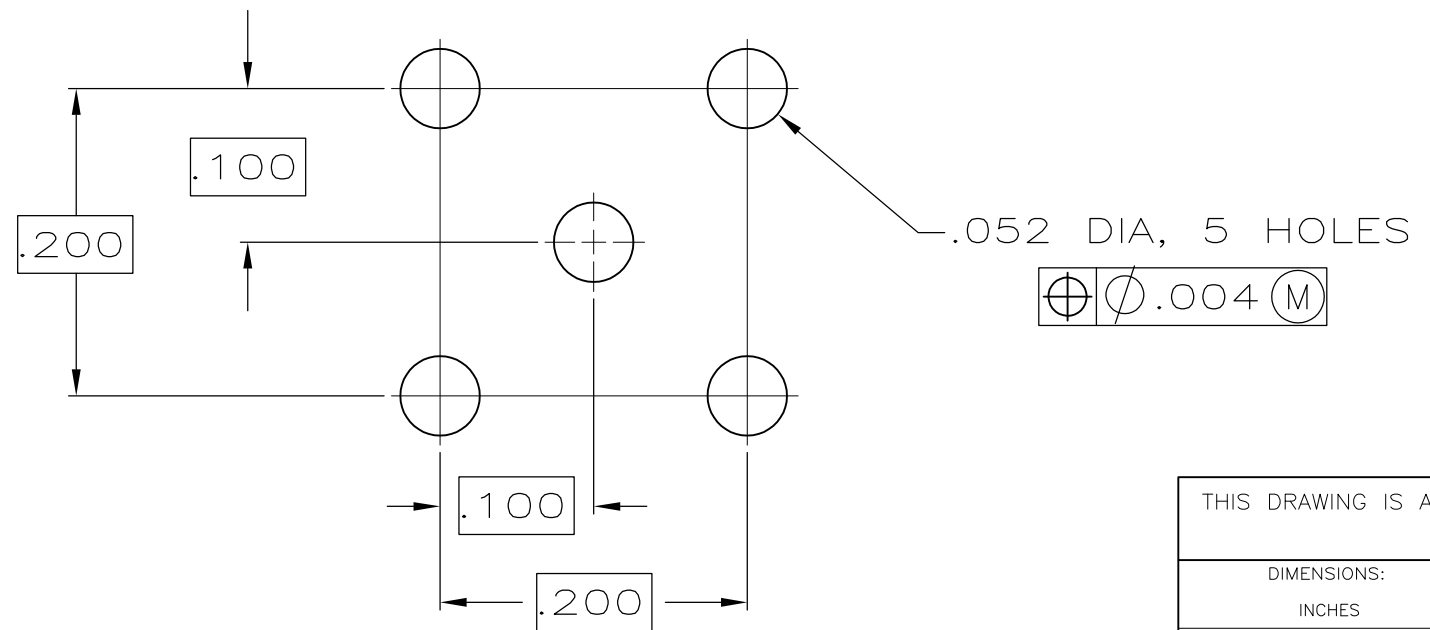
1

THIS DRAWING IS UNPUBLISHED. RELEASED FOR PUBLICATION
 © COPYRIGHT BY TYCO ELECTRONICS CORPORATION. ALL RIGHTS RESERVED.

LOC	DIST	REVISIONS					
AJ	16	P	LTR	DESCRIPTION	DATE	DWN	APVD
			A	REVISED PER ECO-10-009236	05MAY10	HMR	KW



- 1 COPPER ALLOY
- 2 POLYPROPYLENE, GENERAL PURPOSE.
- 3 BRASS PER ASTM B 16.
- 4 BRASS PER ASTM B 36.
- 5 GOLD PLATE PER ASTM B 488.
- 6 TIN PLATE PER ASTM B 545.
- 7 NICKEL PLATE PER QQ-N-290.
- 8. BOARD THICKNESS: .125 MAX.



REQUIRED PCB HOLE CONFIGURATION
 SCALE 8:1

5228435-1
 PART NUMBER

THIS DRAWING IS A CONTROLLED DOCUMENT.		DWN	J. HAVENER	05FEB2005	Tyco Electronics Corporation Harrisburg, Pa 17105-3608		
DIMENSIONS: INCHES		CHK	J. HAVENER	09FEB2005	NAME		
TOLERANCES UNLESS OTHERWISE SPECIFIED:		APVD	J. HAVENER	09FEB2005	JACK, RIGHT ANGLE, PCB, COMMERCIAL SMB		
0 PLC ± -		PRODUCT SPEC	-				
1 PLC ± -		APPLICATION SPEC	-				
2 PLC ± -		WEIGHT	-				
3 PLC ± .002		SIZE	A3	CAGE CODE	00779	DRAWING NO	C-5228435
4 PLC ± -		RESTRICTED TO	-				
ANGLES ± -		SCALE	5:1		SHEET	1 OF 1	REV
MATERIAL	FINISH	CUSTOMER DRAWING					A
1 THRU 4	5 6 7						