

4

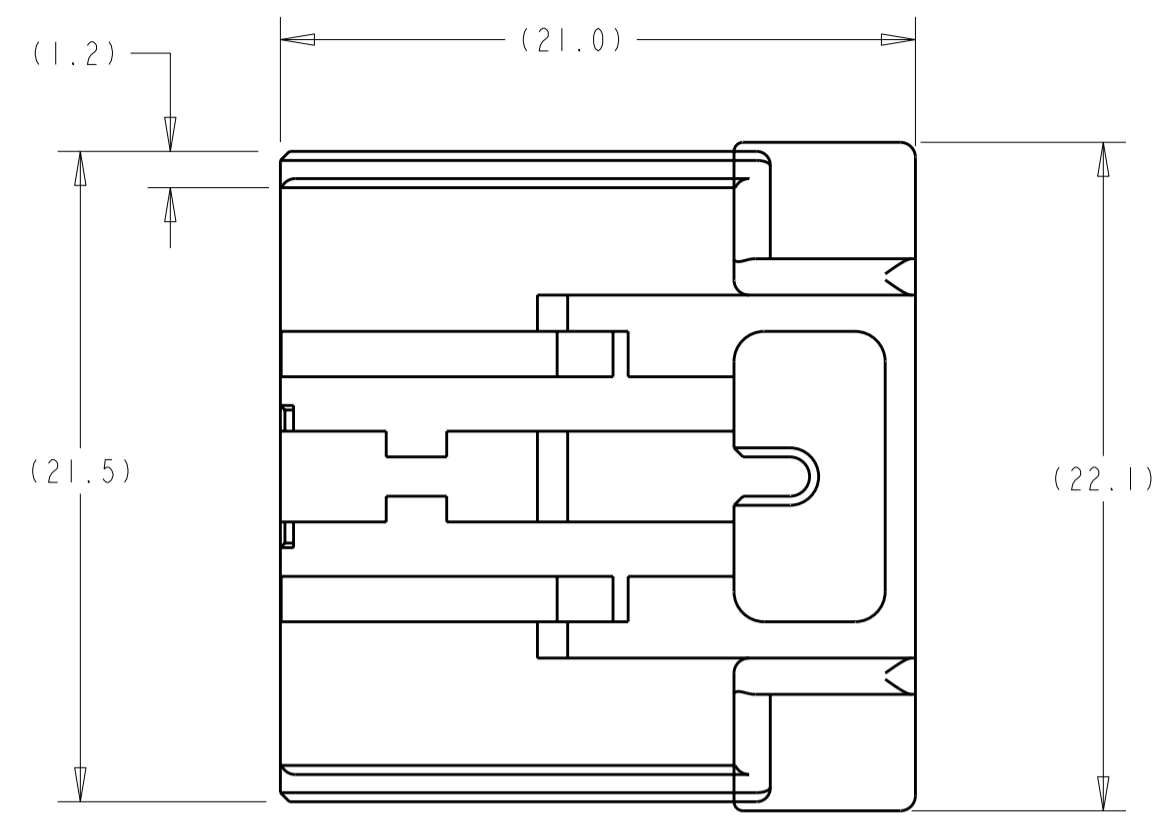
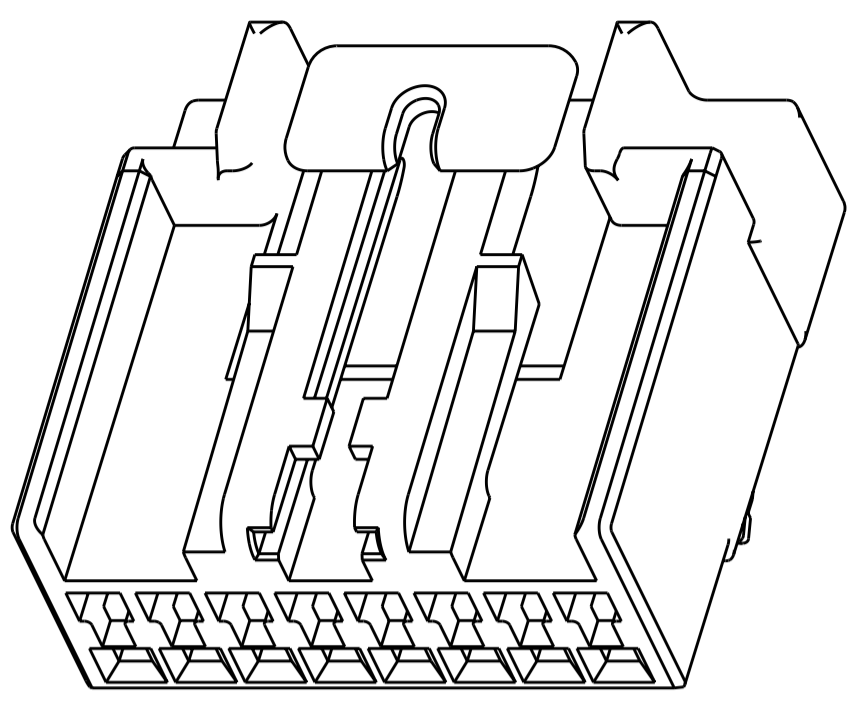
3

2

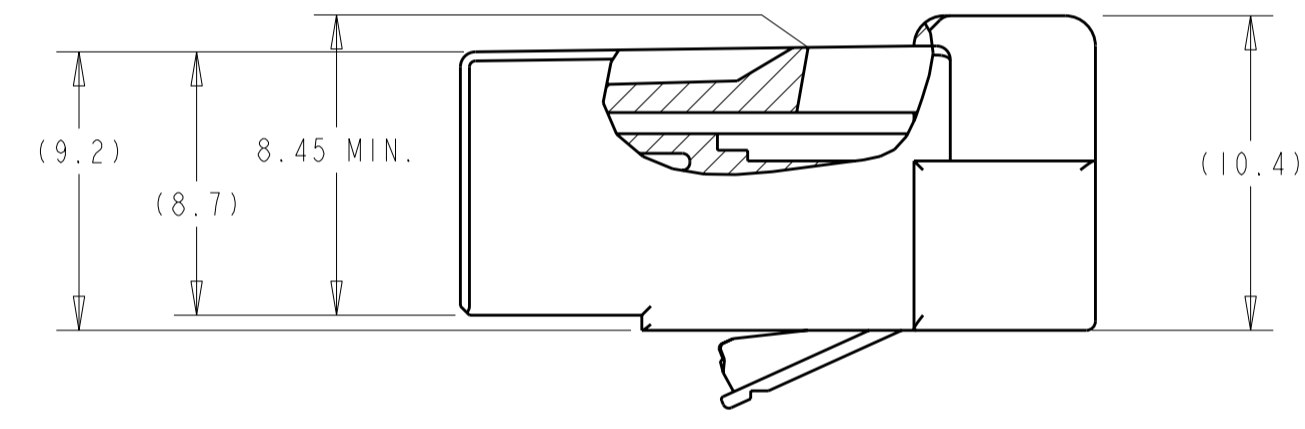
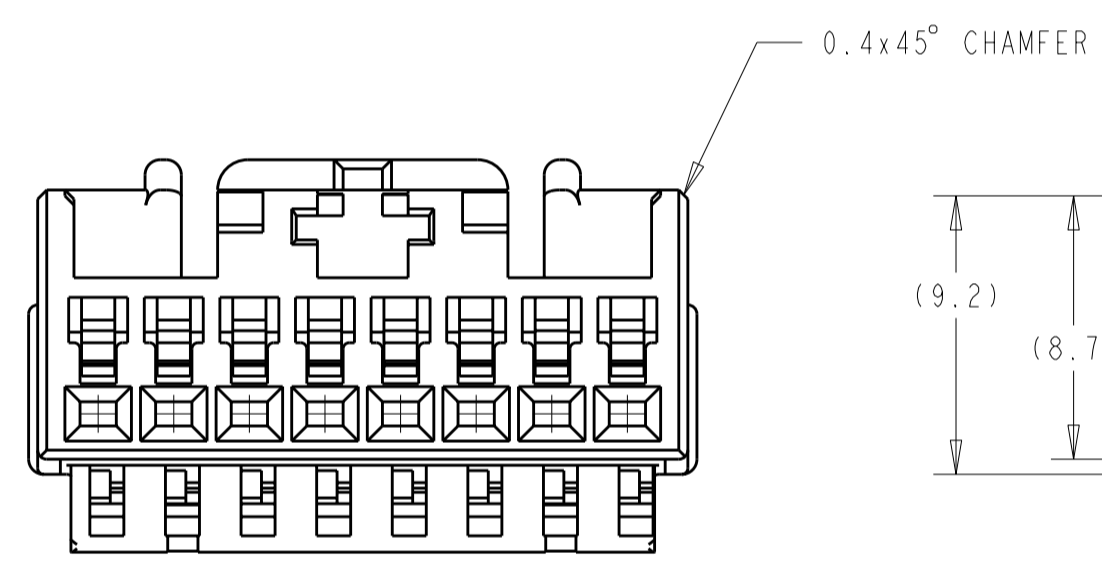
1

THIS DRAWING IS UNPUBLISHED. RELEASED FOR PUBLICATION 20
 © COPYRIGHT 20 BY TYCO ELECTRONICS CORPORATION. ALL RIGHTS RESERVED.

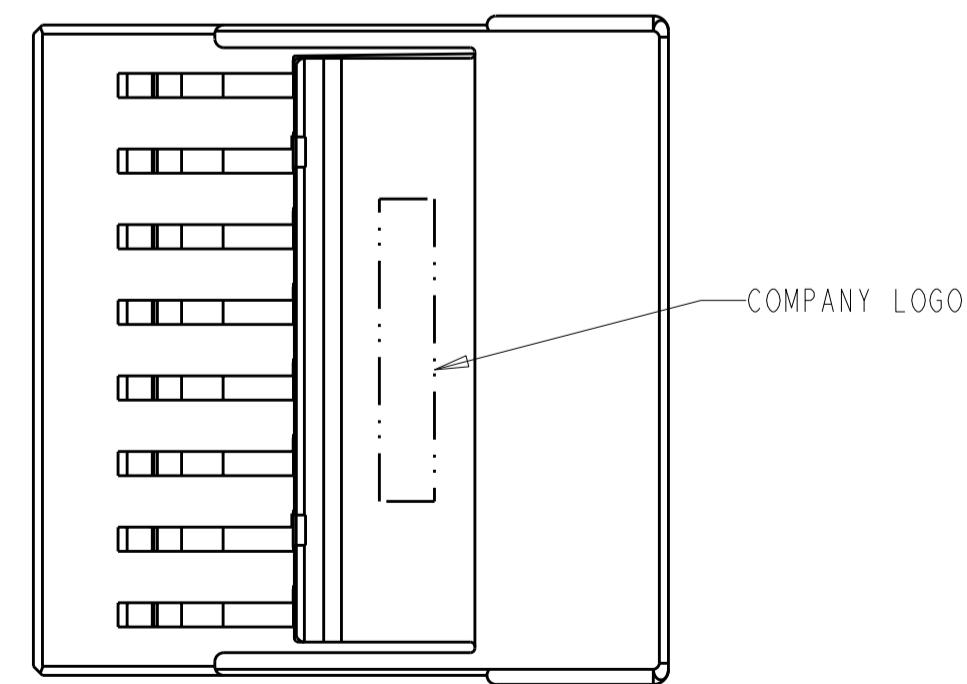
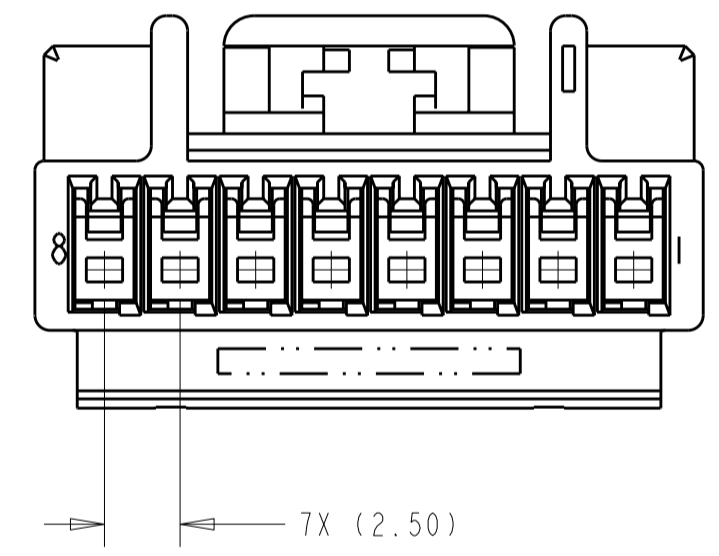
LOC	DIST	REVISIONS			
P	LTR	DESCRIPTION	DATE	DWN	APVD
		I PRELIMINARY	02NOV2004	RGV	SSA
		A RELEASED PER ECR 05-007332	22JUL2005	DLD	SSA
		AI REV PER ECR-10-008554	21APR2010	VSS	SA



1. APPLICABLE FEMALE TERMINAL PART NUMBERS: 175265 TIN PLATING
175266 GOLD PLATING
2. MATING PCB CAP ASSEMBLY PART NUMBER: 9-1438855-2.
3. TERMINAL INSTRUCTION 408-8652 APPLIES.



SECTION AA-AA



NATURAL	1438856-1
COLOR	PART NUMBER

THIS DRAWING IS A CONTROLLED DOCUMENT FOR TYCO ELECTRONICS CORPORATION. IT IS SUBJECT TO CHANGE AND THE CONTROLLING ENGINEERING ORGANIZATION SHOULD BE CONTACTED FOR THE LATEST REVISION.		DWN	R. VESTAL	02NOV2004	Tyco Electronics Harrisburg, PA 17105-3608				
DIMENSIONS:		CHK	S. ASHLEY	02NOV2004					
mm		APVD	S. ASHLEY	02NOV2004					
		PRODUCT SPEC		108-5244					
TOLERANCES UNLESS OTHERWISE SPECIFIED:		APPLICATION SPEC		114-5159	NAME	8 POSITION PLUG HOUSING, SIDE LOCK, SPECIAL KEY, .040 II SERIES MULTI-LOCK			
0 PLC ±-		WEIGHT		2.32g	SIZE	A2			
1 PLC ±0.3		CUSTOMER DRAWING		SCALE	4:1	SHEET	OF	REV	AI
2 PLC ±-		RESTRICTED TO							
3 PLC ±-									
4 PLC ±-									
ANGLES ±°									
FINISH									
MATERIAL		PBT							

WAS USAUT0000-0416-0013-2

1438856