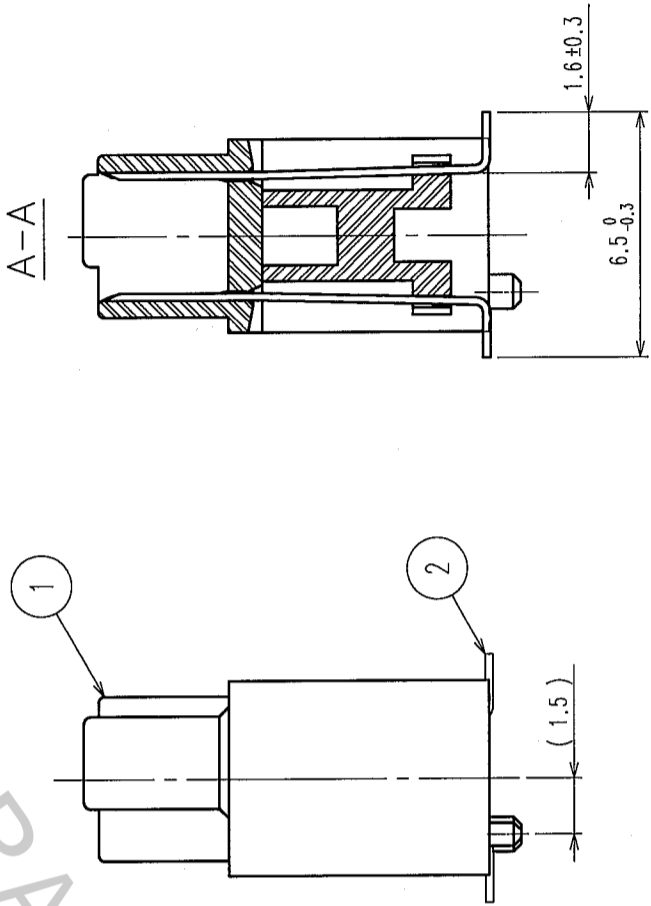
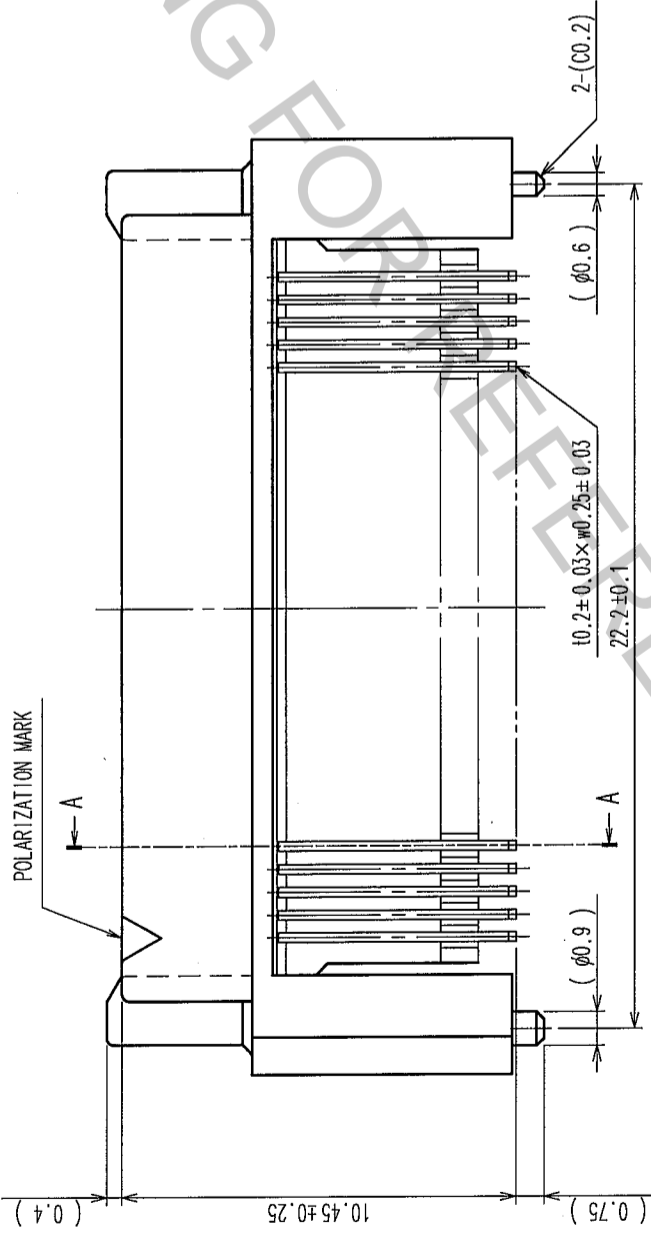
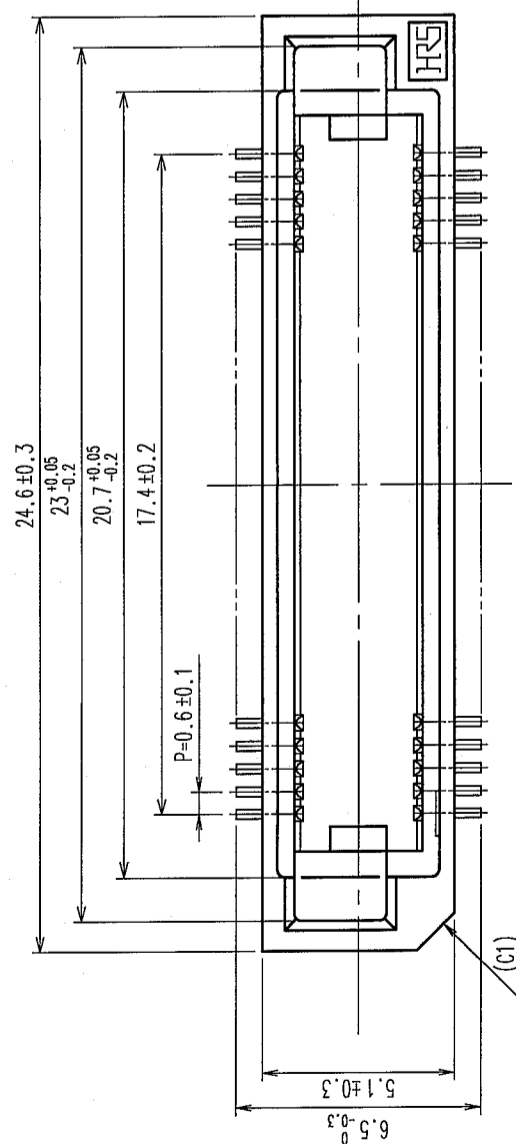
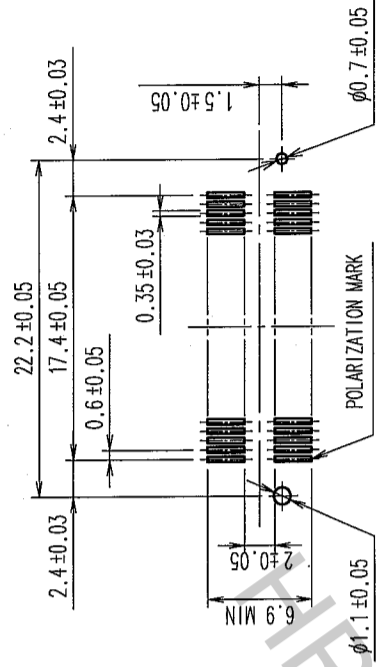


COUNT	DESCRIPTION OF REVISIONS	BY	CHKD	DATE	COUNT	DESCRIPTION OF REVISIONS	BY	CHKD	DATE
△					△				
△					△				
△					△				

RECOMMENDED LAND PATTERN DIMENSION OF PCB (MOUNTING SIDE) (2:1)



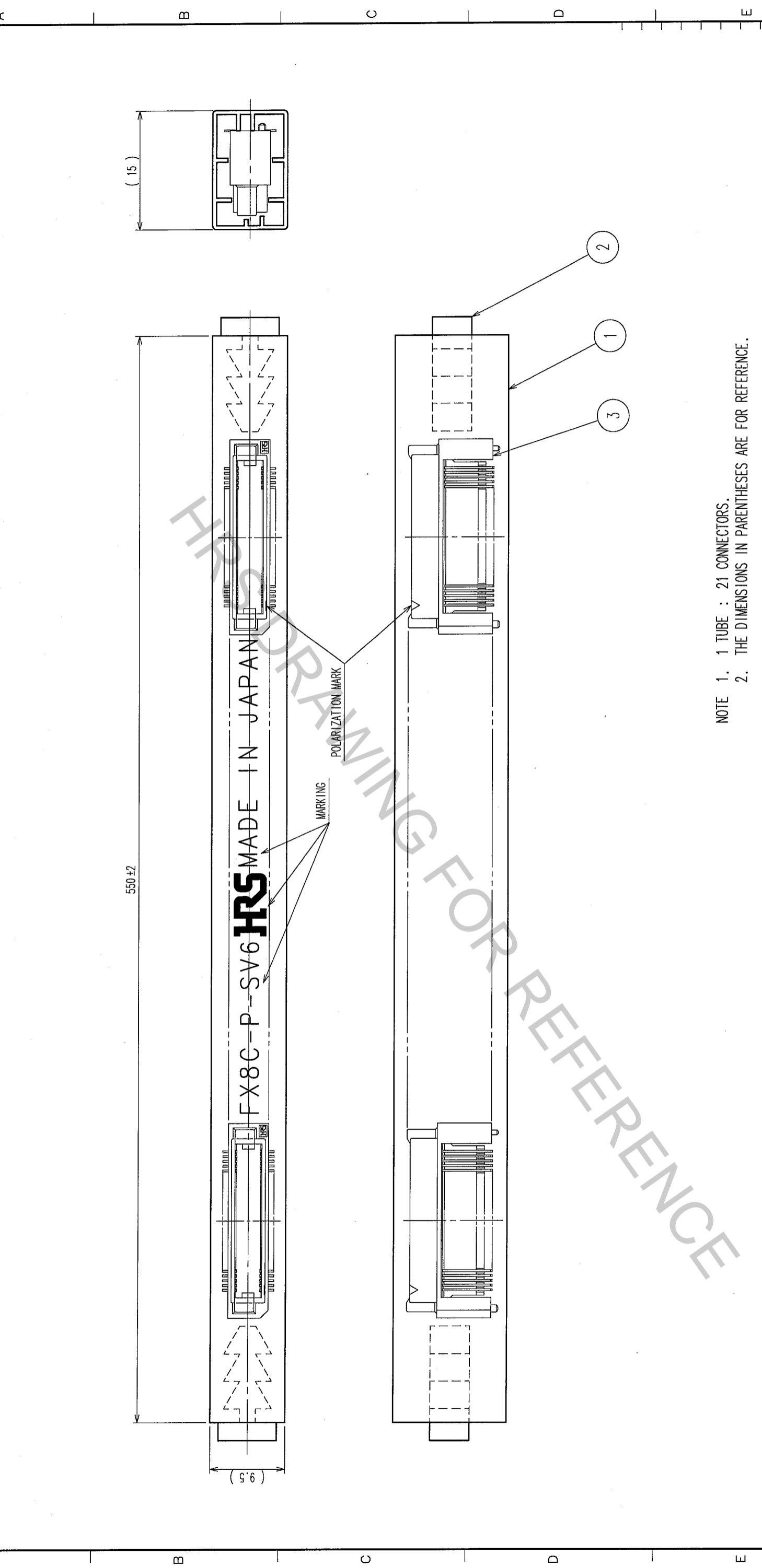
NOTE. 1. LEAD CO-PLANARITY SHALL BE 0.1mm MAX.
 2. TUBE PACKAGING SHALL BE APPLIED FOR THIS PRODUCT.
 SEE NEXT PAGE FOR DETAILS.
 3. FOR MODIFICATION, ETC., PREVENTIVE HOLE FOR SINK MARK MAY BE ADDED ACCORDING TO CIRCUMSTANCES.
 4. THE DIMENSIONS IN PARENTHESES ARE FOR REFERENCE.

1.3	PPS	LIGHT BROWN (UL94V-0)	2	PHOSPHOR BRONZE	CONTACT AREA: GOLD 0.1μm min. LEAD AREA: TIN-PLATING 1μm min. UNDER PLATING: NICKEL 1μm min.
NO.	MATERIAL	FINISH, REMARKS	NO.	MATERIAL	FINISH, REMARKS
CL					
DRAWN		DESIGNED		CHECKED	
K. NAKAMURA		K. NAKAMURA		K. Ogyama	
05.12.13		05.12.13		'05.12.14	
				H. Okawa	
				'05.12.14	
				APPROVED	
				RELEASED	
DRAWING NO. EDC3-150871-21		PART NO. FX8C-60P-SV6(91)			
SCALE 5:1		CODE NO. CL578-0601-3-91		1/2	
UNITS mm		HIROSE ELECTRIC CO., LTD.		FORM NO. 229	

TO	
PCK	

1	2	3	4	5	6	7	8		
COUNT	DESCRIPTION OF REVISIONS	BY	CHKD	DATE	COUNT	DESCRIPTION OF REVISIONS	BY	CHKD	DATE
△					△				
△					△				
△					△				

1	2	3	4	5	6	7	8		
COUNT	DESCRIPTION OF REVISIONS	BY	CHKD	DATE	COUNT	DESCRIPTION OF REVISIONS	BY	CHKD	DATE
△					△				
△					△				
△					△				



NOTE 1. 1 TUBE : 21 CONNECTORS.
 2. THE DIMENSIONS IN PARENTHESES ARE FOR REFERENCE.

2 POLYVINYL CHLORIDE (STOPPER)		3 (CONNECTOR)	
NO.	MATERIAL	FINISH, REMARKS	FINISH, REMARKS
1	POLYVINYL CHLORIDE (TUBE)		
CODE NO. (OLD) CL		DRAWN K. NAKAMURA	CHECKED K. NAKAMURA
		DESIGNED K. NAKAMURA	APPROVED H. Okawa
		05.12.13	05.12.14
		05.12.13	05.12.14
DRAWING NO. EDC3-150871-21		PART NO. FX8C-60P-SV6(91)	
SCALE FREE			
UNITS mm		CODE NO. CL578-0601-3-91	

TO	
PCK	